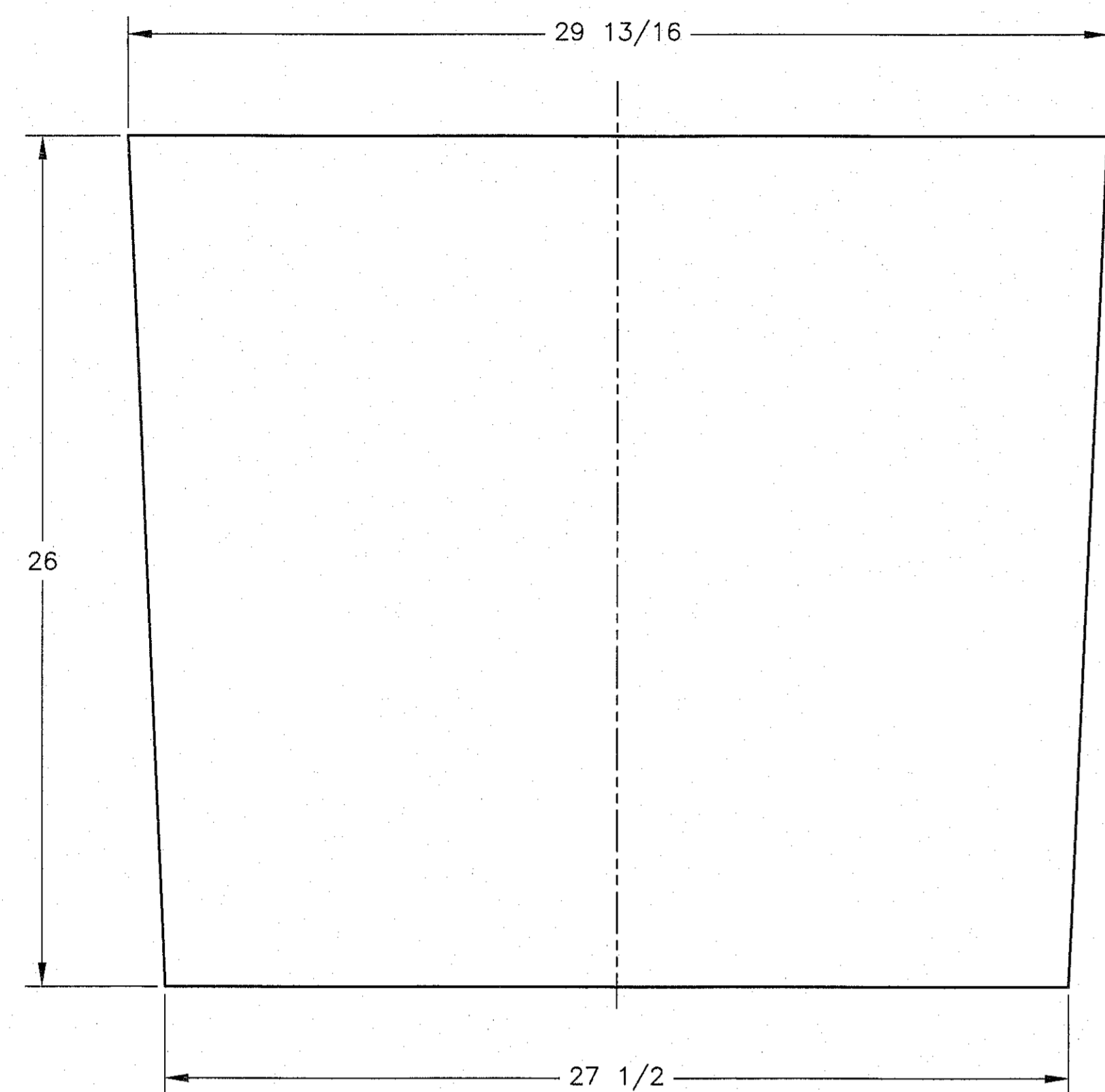


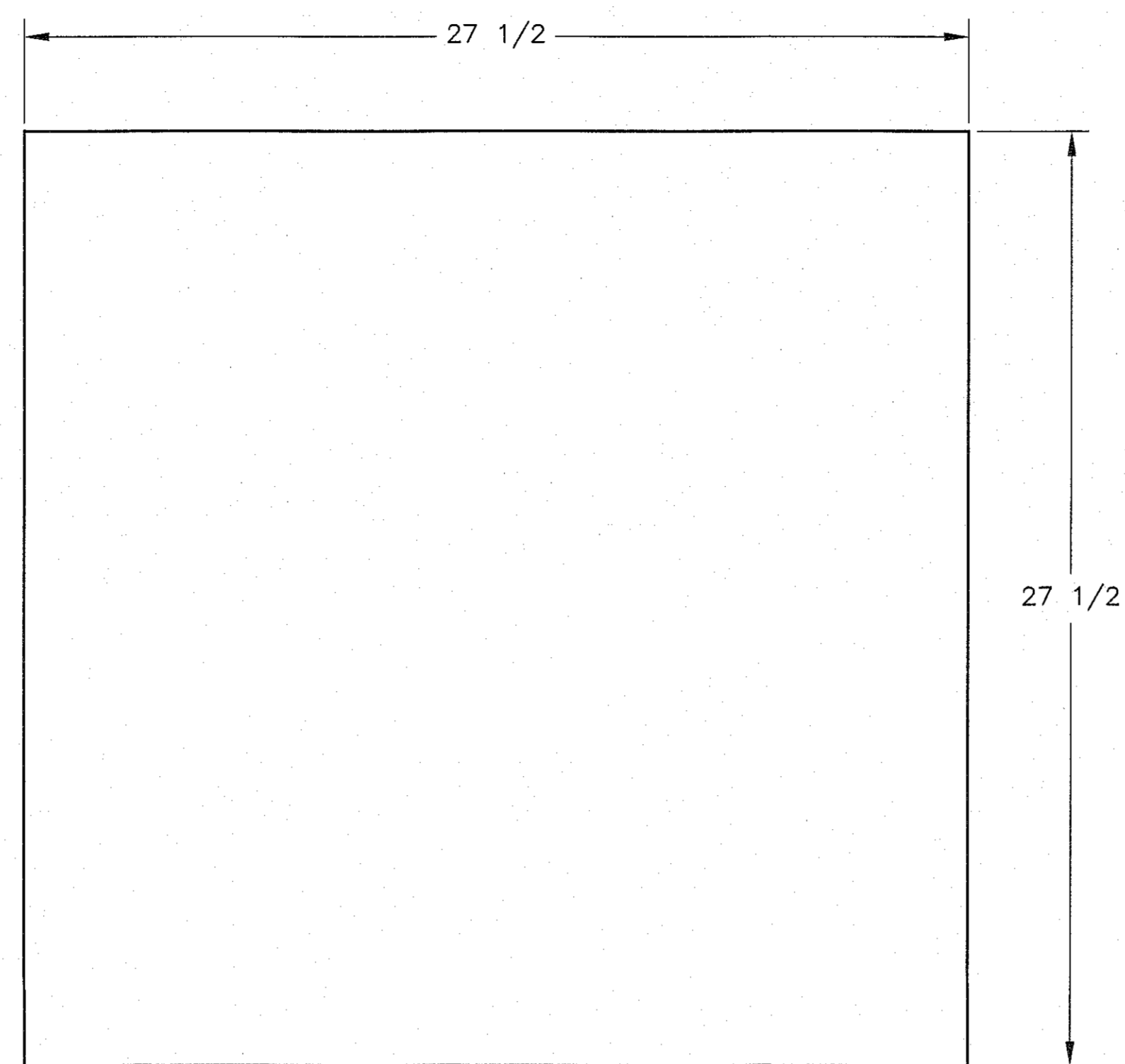
8 7 6 5 4 3 2 1

F
E
D
C
B
A

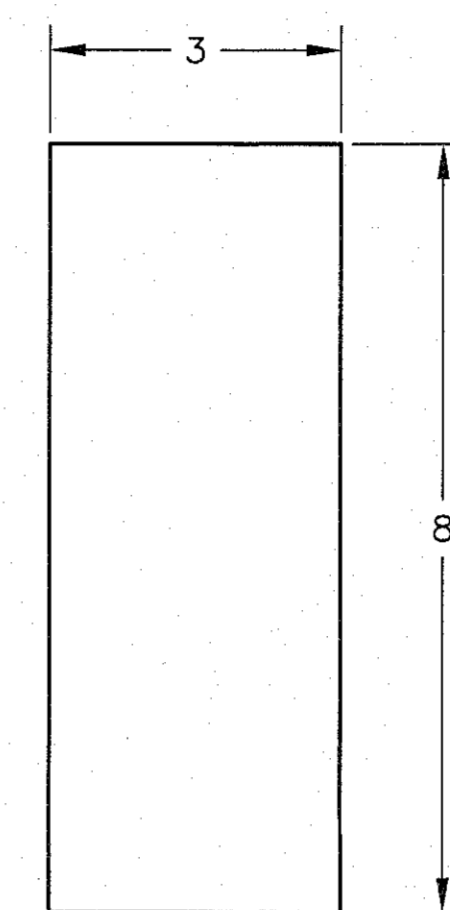
F
E
D
C
B
A



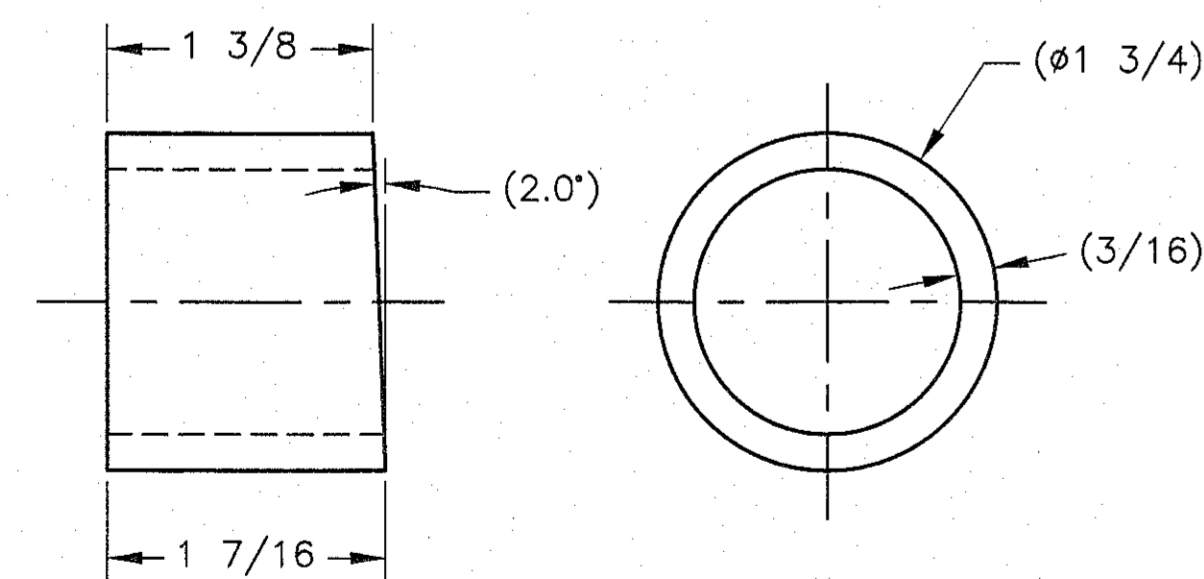
5 SIDE PANEL
SCALE: 1:4



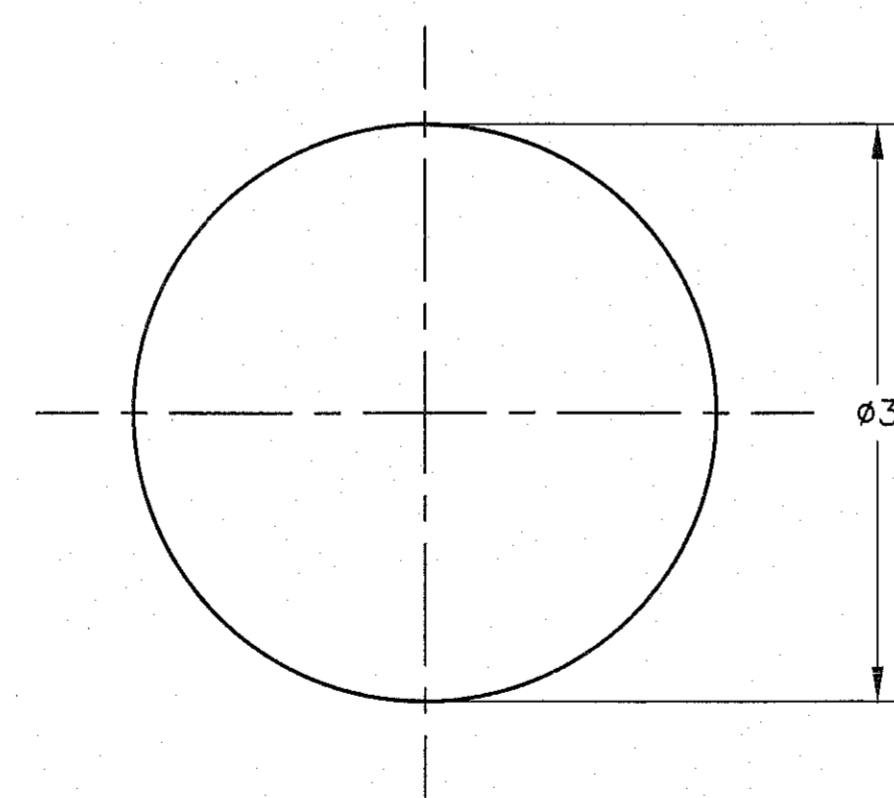
6 FLOOR PANEL
SCALE: 1:4



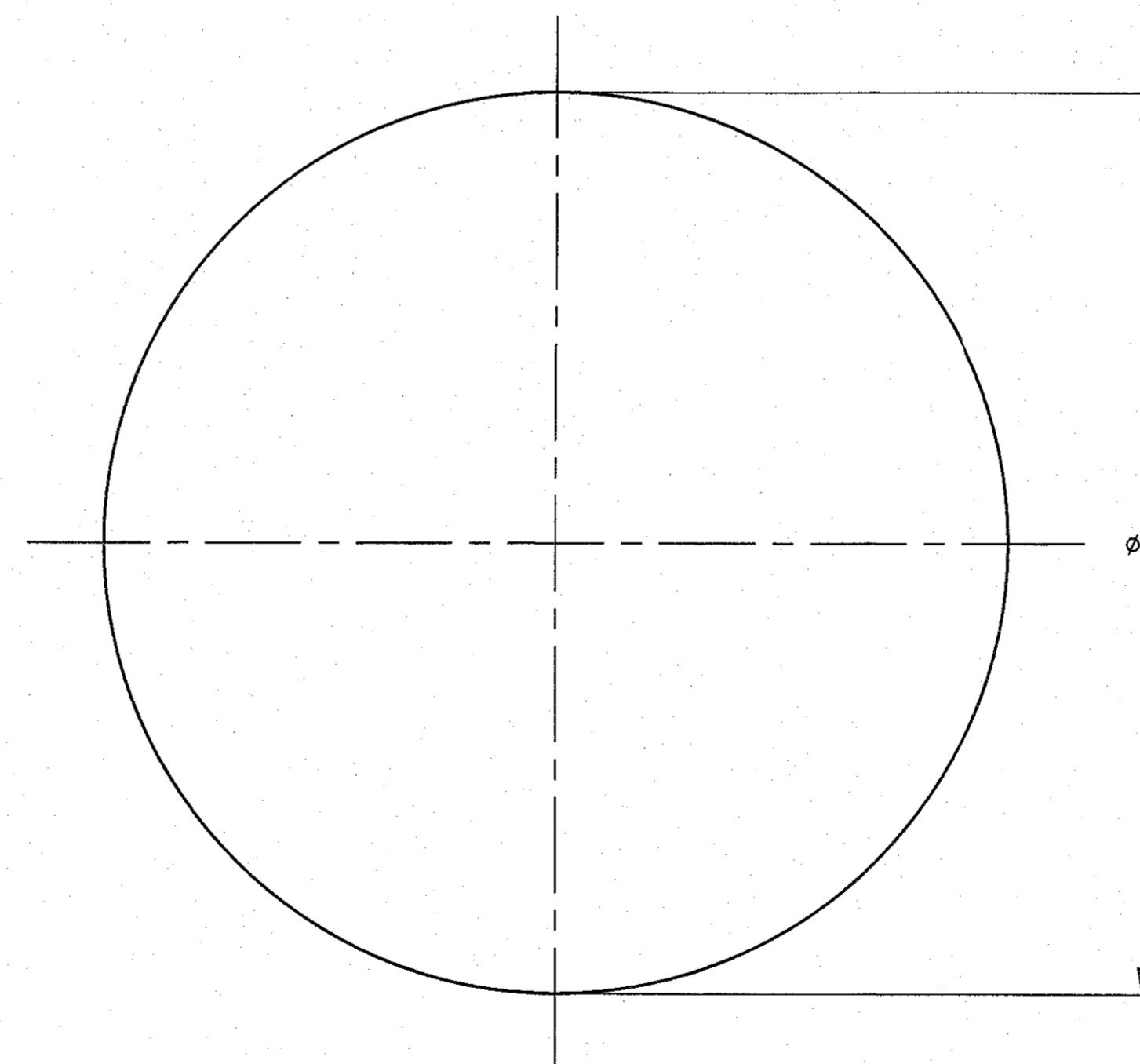
7 CORNER SUPPORT
SCALE: 1:2



8 TRUNNION
SCALE: 1:1



9 TRUNNION CAP
SCALE: 1:1



10 TRUNNION SUPPORT
SCALE: 1:1

Approved for Construction
ISSUED BY
DOCUMENT CONTROL
Date: 5/26/2022 AK

BLDG. NO. 324	CAUTION NOT COMPLETE WITHOUT CURRENT CHANGE DOCUMENTS FROM DATABASE	ATTENTION DESTROY THIS DOCUMENT BY SHREDDING MAY CONTAIN SENSITIVE INFORMATION
NAME JULY BARTLETT	DATE 5/26/22	COMPANY SIBS
U.S. DEPARTMENT OF ENERGY Richland Operations Office	MECHANICAL 26 INCH WASTE BIN WELDMENT AND DETAILS	
INDEX NO. 4750	SCALE F	DRAWING NUMBER H-3-318642
REV. NO. 0	DESCRIPTION RELEASED PER DCN-SRP-206.	SHEET 2
DWG NUMBER	TITLE	REV. 0
DRAWING TRACEABILITY LIST		SCALE SHOWN
REF NUMBER	TITLE	PLOTTED
NEXT USED ON	REFERENCES	1
	REVISIONS	DOE-TLFDWG (JAN 2012)

8 7 6 5 4 3 2 1