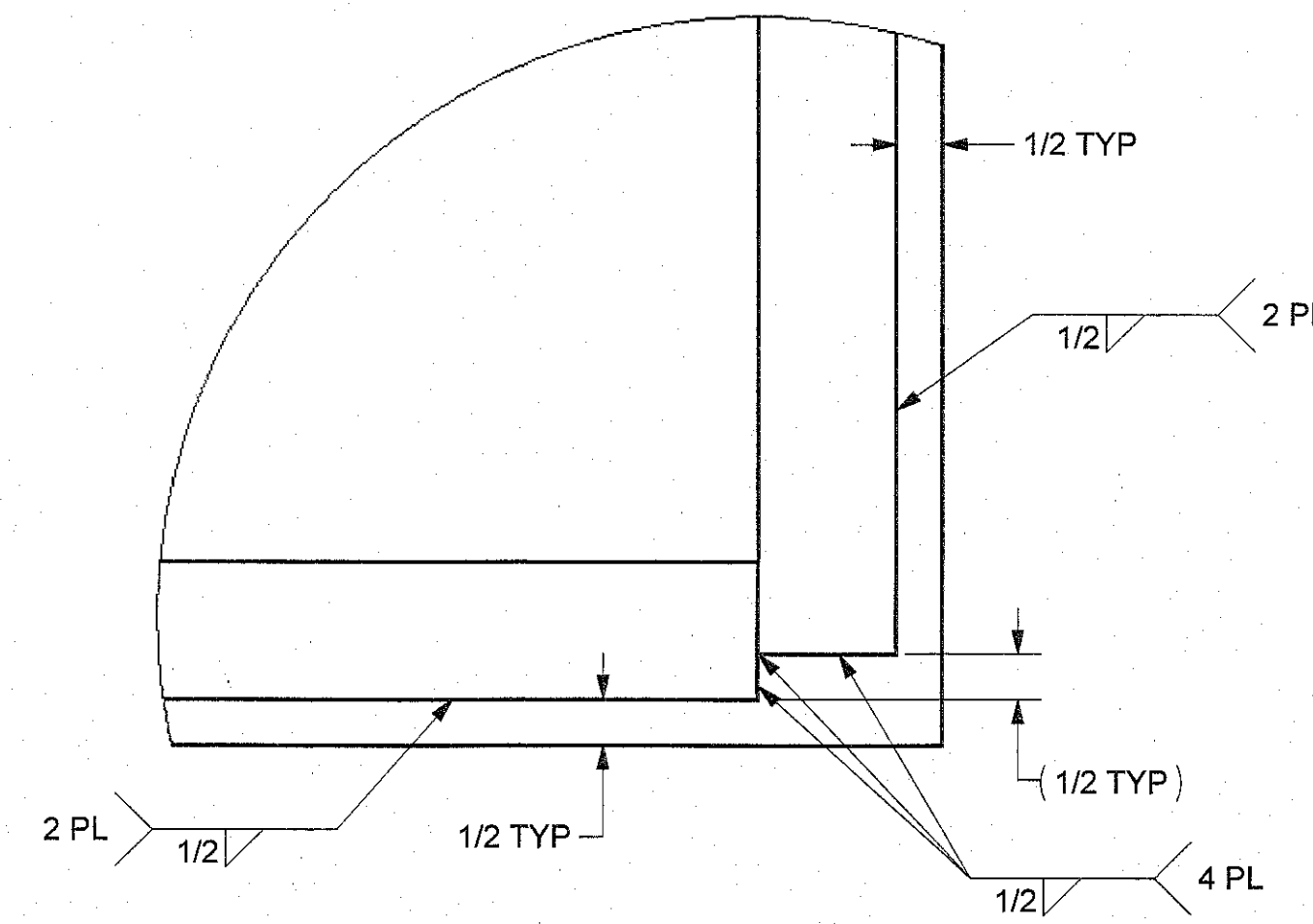
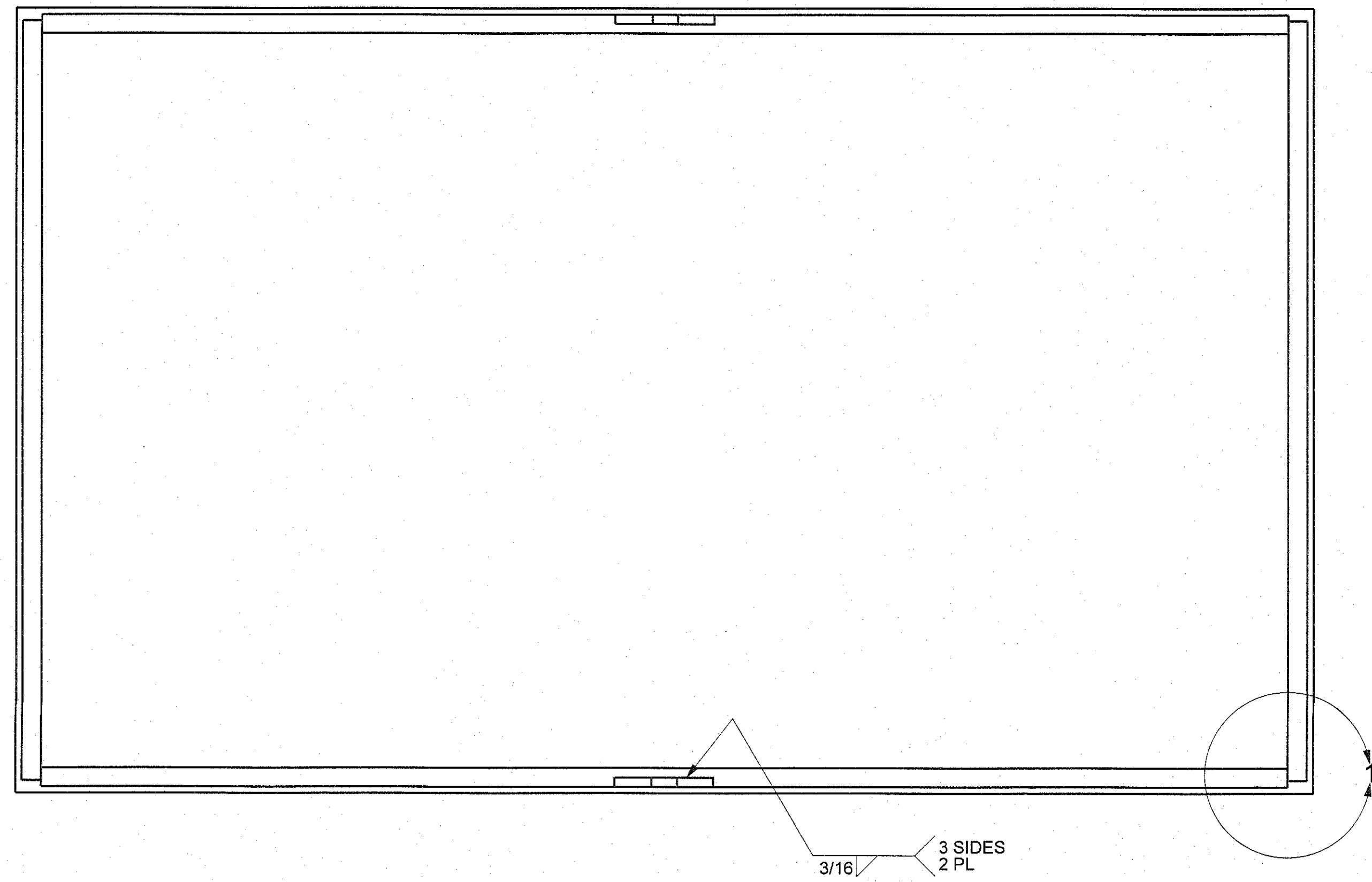
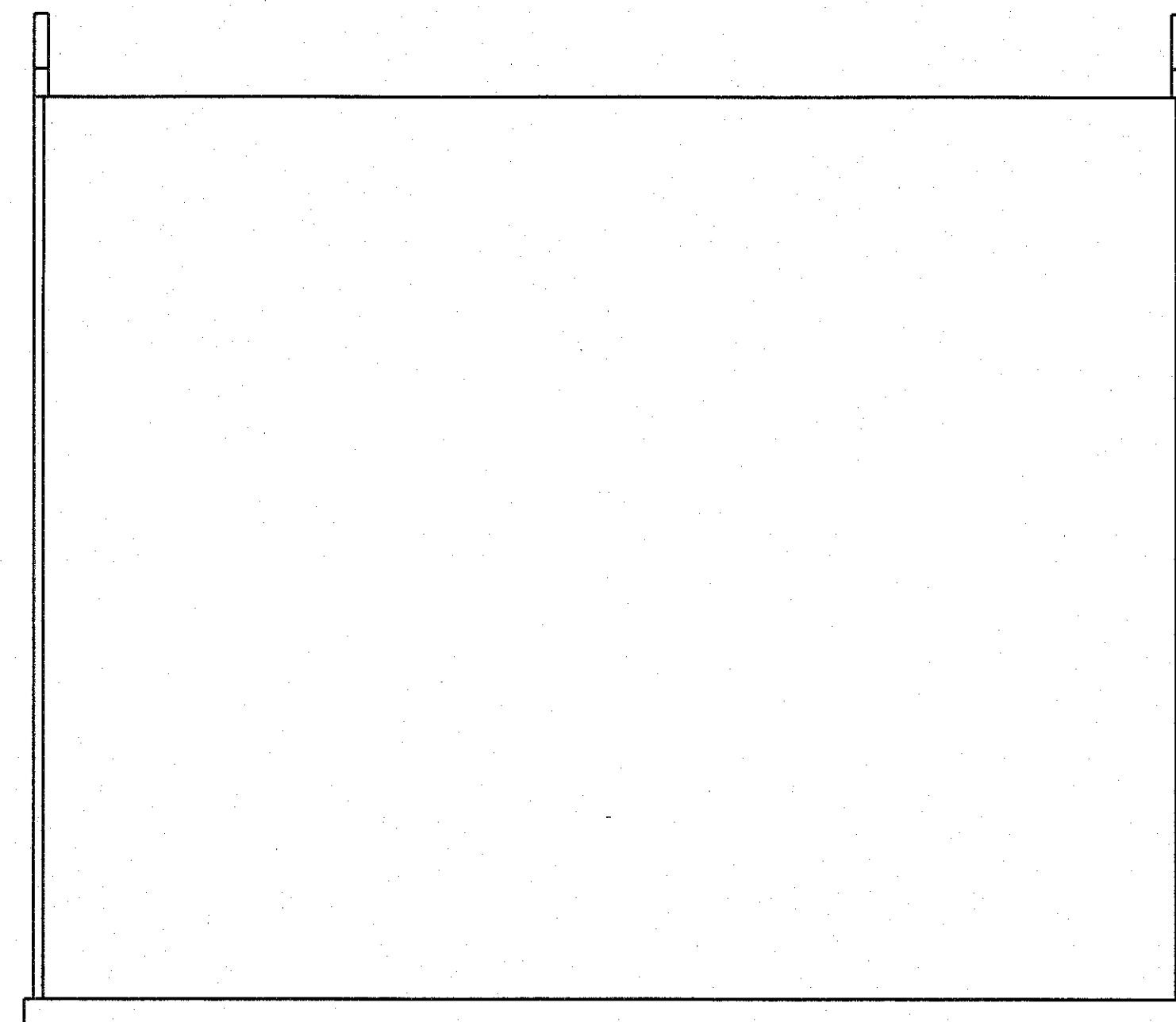
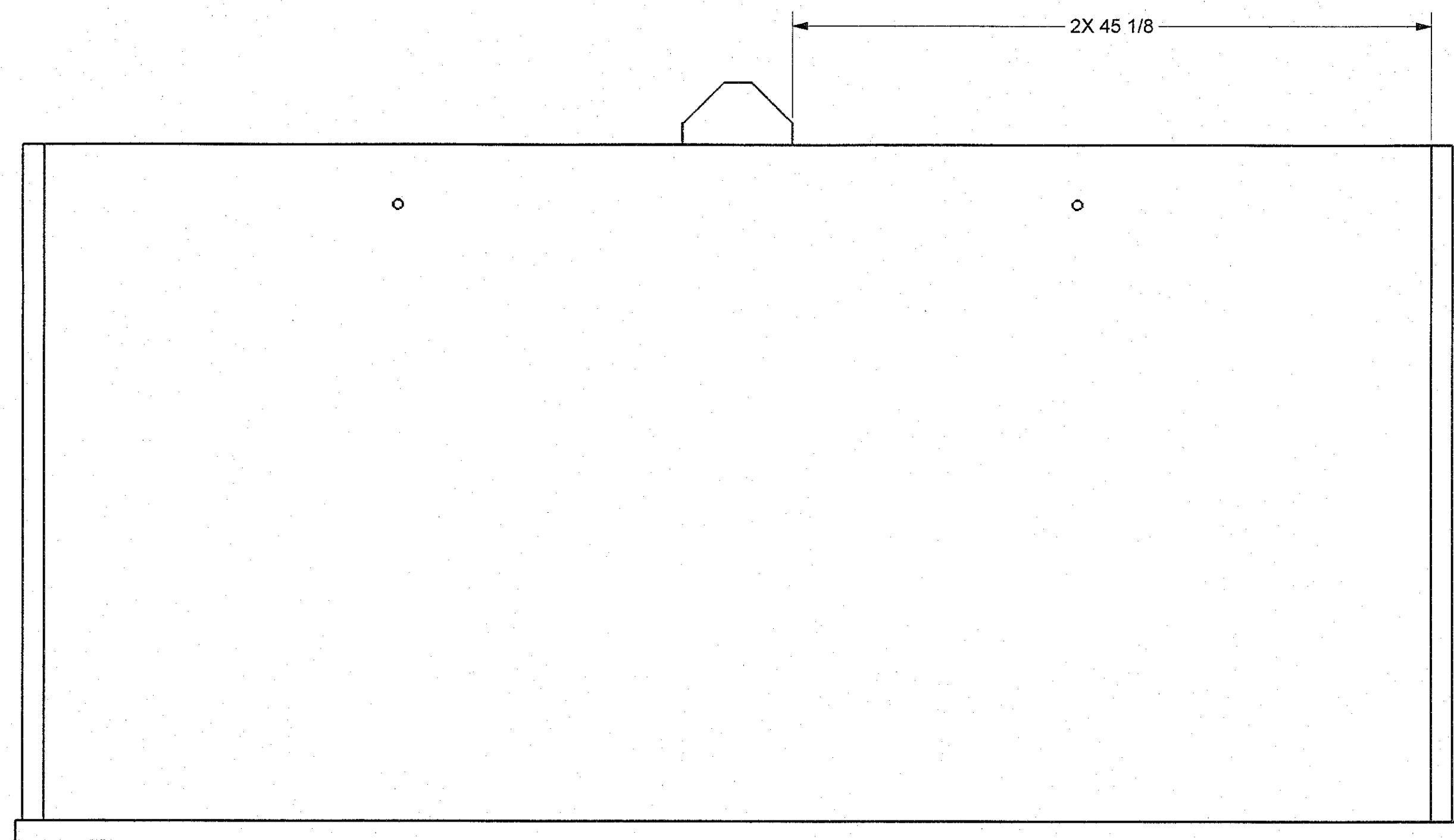
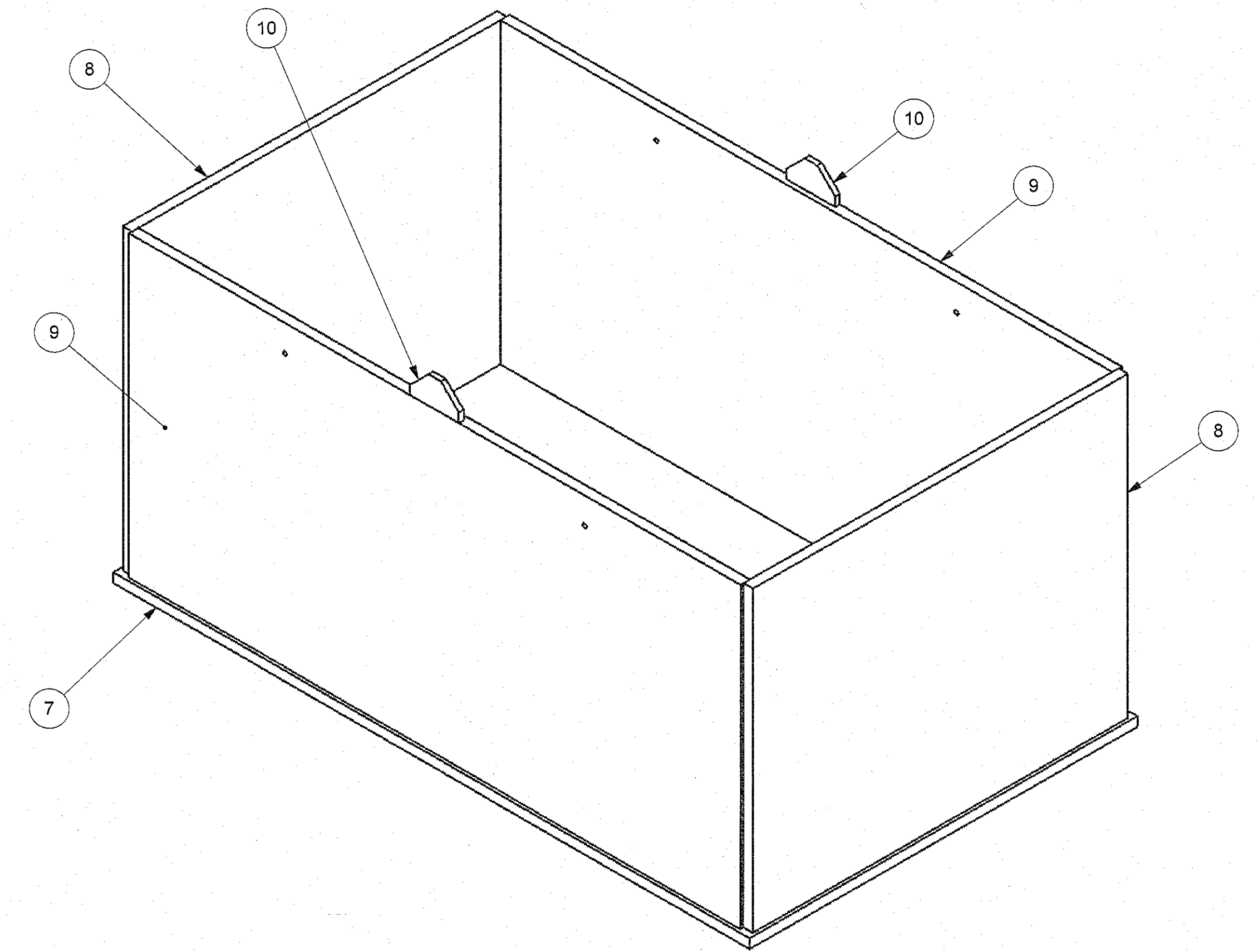


8 7 6 5 4 3 2 1

F  
E  
D  
C  
B  
A



1  
-  
DETAIL  
SCALE: 1:2



2  
-  
1.5 INCH SHIELDING BOX WELDMENT  
SCALE: 1:8

FOR GENERAL NOTES AND PARTS LIST SEE SHEET 1.

Approved for Construction  
ISSUED BY  
DOCUMENT CONTROL  
Date: 5/11/2022 AK

BLDG. NO. 324	CAUTION: NOT COMPLETE WITHOUT CURRENT CHANGE DOCUMENTS FROM DATABASE	ATTENTION: DESTROY THIS DOCUMENT BY SHREDDING MAY CONTAIN SENSITIVE INFORMATION
DESIGNED BY Z. FITZGERALD	DATE 5/11/22	COMPANY CPROD
DRAWN BY B. LILLY	DATE 5/11/22	CPROD
CHECKED BY D. TEDESCHI	DATE 5/11/22	CPROD
ENGINEERING MANAGER G. DIXSON	DATE 5/11/22	CPROD
U.S. DEPARTMENT OF ENERGY Richland Operations Office		A
1.5 INCH SHIELDING ASSEMBLY AND DETAILS FOR 7AF-255 CTI CONTAINER		
INDEX NO. 1001	SIZE F	DRAWING NO. H-3-318641
	SCALE SHOWN	SHEET 2
		REV 0
		PLOTID 1

DWG NUMBER	TITLE	REF NUMBER	TITLE	REV	DESCRIPTION
	DRAWING TRACEABILITY LIST		REFERENCES		
			NEXT USED ON		REVISIONS

8 7 6 5 4 3 2 1