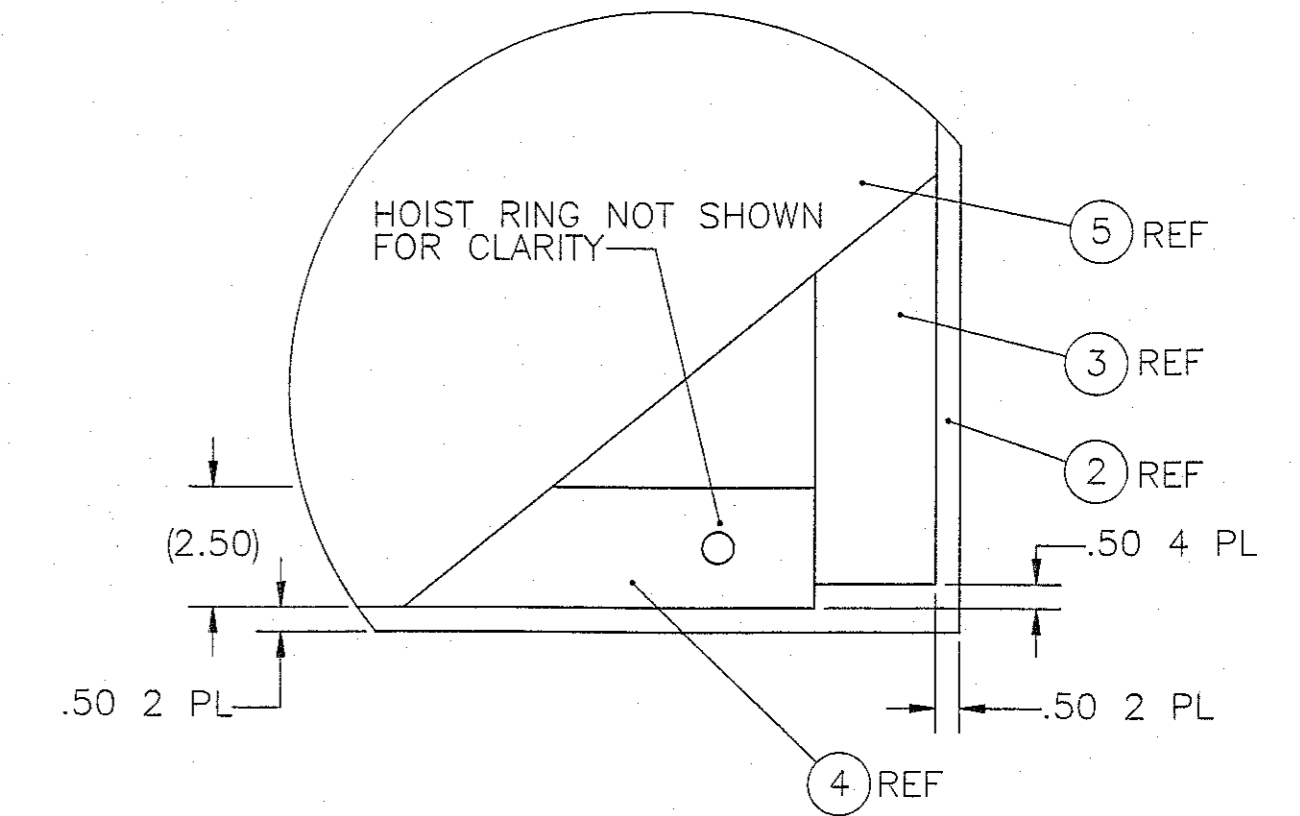


PARTS/MATERIAL LIST						
QTY	REQD	PART/DASH NUMBER	NOMENCLATURE/DESCRIPTION	MATERIAL/REFERENCE	SHT	ITEM NO
-020	-010	-010	ASSEMBLY, 2.5" SHIELDING ASSEMBLY		1	1
1			BOTTOM PLATE - 101 X 53 X 1" THK. PLATE	CS / ASTM A36	1	2
2			SHORT SIDE PLATE - 51 X 49.5 X 2.5" THK. PLATE	CS / ASTM A36	1	3
2			LONG SIDE PLATE - 95 X 49.5 X 2.5" THK. PLATE	CS / ASTM A36	2	4
1			LID - 1" THK. PLATE	CS / ASTM A36	2	5
2			GUIDE PIN - 1" OD X 4" LONG, ROUND	CS / AISI1018	1	6
4		1016909	UNC SWIVEL HOIST RING 1/2"-13, 2" THRD LENGTH, 2500 LBS WORKING LOAD, 180° PIVOT AND 360° SWIVEL, HR-125	STEEL/CROSBY	1	7
2			ALIGNMENT GUIDE - 1/4" THK. PLATE	CS / ASTM A36	2	8
4		1016942	UNC SWIVEL HOIST RING 3/4"-10, 2 3/4" THRD LENGTH, 7000 LBS WORKING LOAD, 180° PIVOT AND 360° SWIVEL, HR-125	STEEL/CROSBY	1	9



DETAIL A
SCALE 1:4

- GENERAL NOTES (UNLESS OTHERWISE SPECIFIED)**
- BREAK ALL SHARP EDGES.
 - DIMENSION AND TOLERANCE SHALL BE PER ANSI/ASME Y14.5M-2009. ALL DIMENSIONS ARE IN INCHES.
 - TOLERANCES ARE AS FOLLOWS: (UNLESS OTHERWISE NOTED)
DECIMAL: .X ± 0.12, .XX ± 0.05, .XXX ± .005, ANGULAR: ± .5°
 - PAINT DRAWING NUMBER AND WEIGHT OF ASSEMBLY ON THE SIDE. PAINT THE DRAWING NUMBER AND WEIGHT OF THE LID ON LID. LETTER HEIGHT SHOULD BE AT LEAST 1/2" HIGH AND WITH A WHITE PAINT PEN.
 - APPROX. CALCULATED OVERALL WEIGHT IS 13,200 LBS. & LID WEIGHT IS 1300 LBS
 - LIFTING HOIST RINGS (ITEM 9) ARE TO BE USED FOR FABRICATION AND INSTALLATION INTO THE SHIPPING CONTAINER AND SHALL BE REMOVED AFTER INSTALLATION. LIFTING HOIST RINGS HAVE BEEN SIZED TO ACCOMMODATE THE LID IF NEEDED. TORQUE BOLT TO MFG RATING. NOT RATED FOR A FILLED CONTAINER.
 - ALL WELDING AND WELDING INSPECTIONS SHALL BE DONE IN ACCORDANCE WITH AWS D1.1 AND SHALL BE VISUALLY INSPECTED.
 - HOIST RING (ITEM 7) MAY STAY IN PLACE AFTER LOADING OF DEBRIS BECAUSE OF THE HIGH RADIATION FIELD. THEREFORE RIGGING SHALL ACCOUNT FOR THE ABILITY TO BE REMOVED OR LAY FLAT IN ORDER TO PUT THE SHIPPING CONTAINER LID ON. TORQUE BOLT TO MFG RATING.

1 2.5" SHIELDING ASSEMBLY
SCALE: 1:8

Approved for Construction
ISSUED BY
DOCUMENT CONTROL
Date: 3-11-19 KP

ORIGINAL

DWG NUMBER	TITLE	REF NUMBER	TITLE	DESCRIPTION
0	INITIAL RELEASE PER DCN-SRP-151			
DRAWING TRACEABILITY LIST		REFERENCES		REVISIONS

324 BUILDING DISPOSITION PROJECT		CAUTION NOT COMPLETE WITHOUT CURRENT CHANGEDOCUMENTS FROM DATABASE	
BLDG. NO. 324	DATE 3-11-19	BY SD MCGAUGHEY	CHECKED SD MCGAUGHEY
U.S. DEPARTMENT OF ENERGY Richland Operations Office		324 BLDG 2.5" SHIELDING ASSEMBLY FOR 9' x 5' CTI (7AF-225) CONTAINERS	
INDEX NO. 5010	DRAWING NUMBER F H-3-318572	SHEET 1	REV 0
SCALE AS SHOWN		SCALE AS SHOWN	