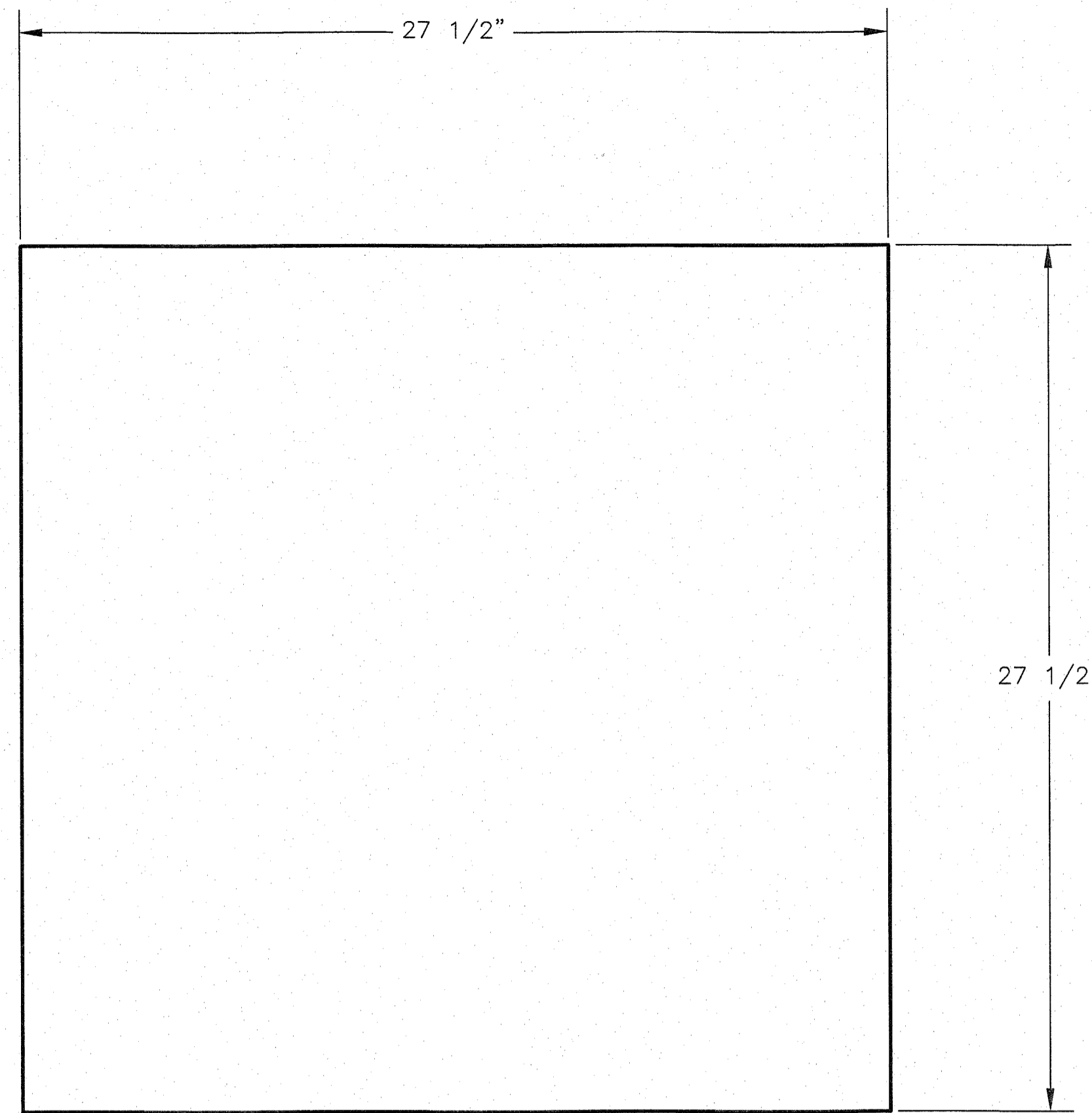
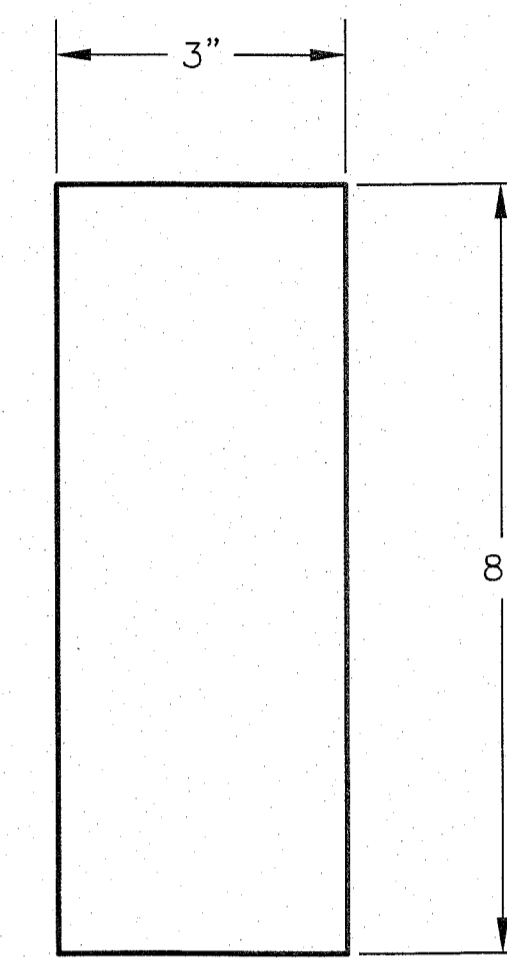


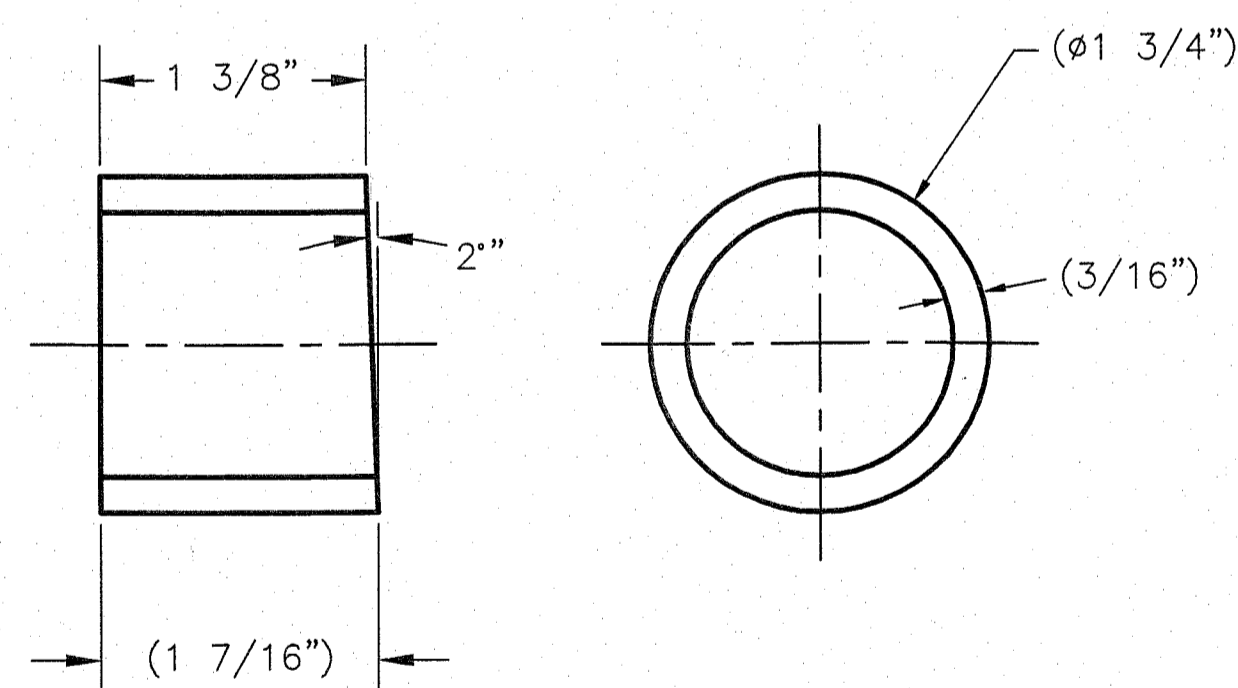
3 SIDE SHEET
SCALE: 1:4



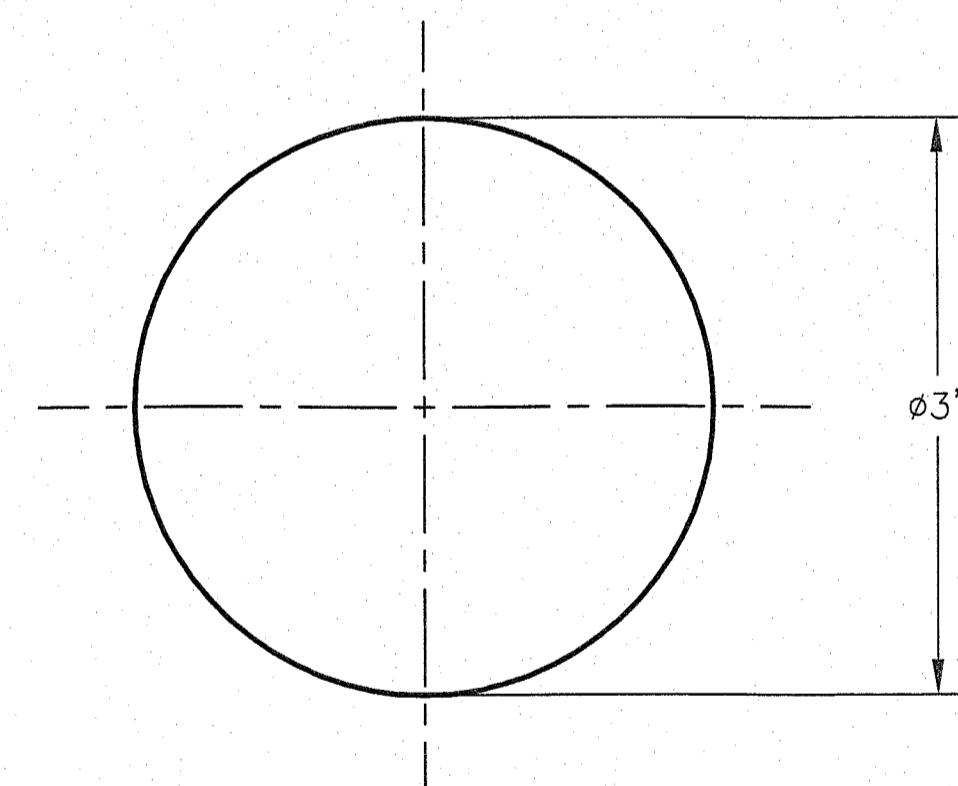
4 FLOOR PLATE
SCALE: 1:4



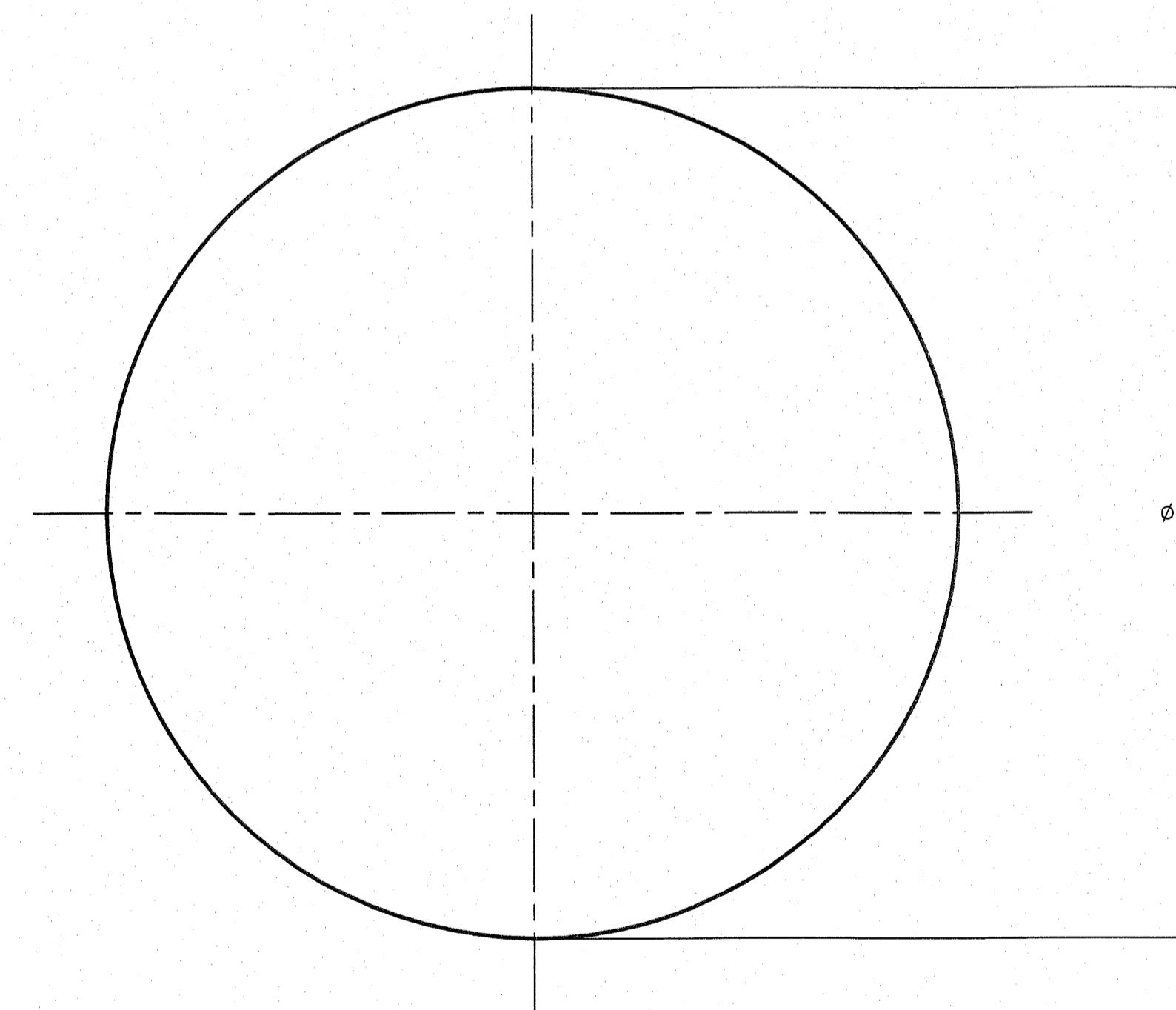
5 CORNER SUPPORT
SCALE: 1:2



6 TRUNNION
SCALE: 1:1



7 TRUNNION CAP
SCALE: 1:1



8 TRUNNION SUPPORT
SCALE: 1:1

FORMER KURION DRAWING NUMBER(S):
KUR-1782F-DWG-M-REC-4100-000 SH 2 REV 0
FOR GENERAL NOTES AND PARTS LIST,
SEE SH 1.

Approved for Construction
ISSUED BY
DOCUMENT CONTROL
Date: 2-16-17 KP
ORIGINAL

DWG NUMBER	TITLE	REF NUMBER	TITLE
	DRAWING TRACEABILITY LIST		REFERENCES
		NEXT USED ON	

REV NO.	DESCRIPTION
1	REVISED PER DCN-PTS-SRP-0387
0	INITIAL RELEASE PER DCN-PTS-SRP-019

300-296 SOIL REMOVAL PROJECT		INDEX NO. 4750	
BLDG. NO. 324	CAUTION NOT COMPLETE WITHOUT CURRENT CHANGE DOCUMENTS FROM DATABASE	ATTENTION DESTROY THIS DOCUMENT BY SHREDDING MAY CONTAIN SENSITIVE INFORMATION	
DRAWN BY J.J. AMMERMAN	DATE 01/2017	U.S. DEPARTMENT OF ENERGY Richland Operations Office	
DESIGNED BY T.L. CRUZEN	DATE 2-15-17	MACHINE WASTE BIN WELDMENT AND DETAILS	
ENGINEERING CHECKER FM BLACKBURN	DATE 2-15-17		
DESIGN AUTHORITY CE HATCH	DATE 2-15-17	SIZE F	DRAWING NUMBER H-3-317735
		SHEET 2	REV 1
		SCALE SCALE SHOWN	PLOTTED 1