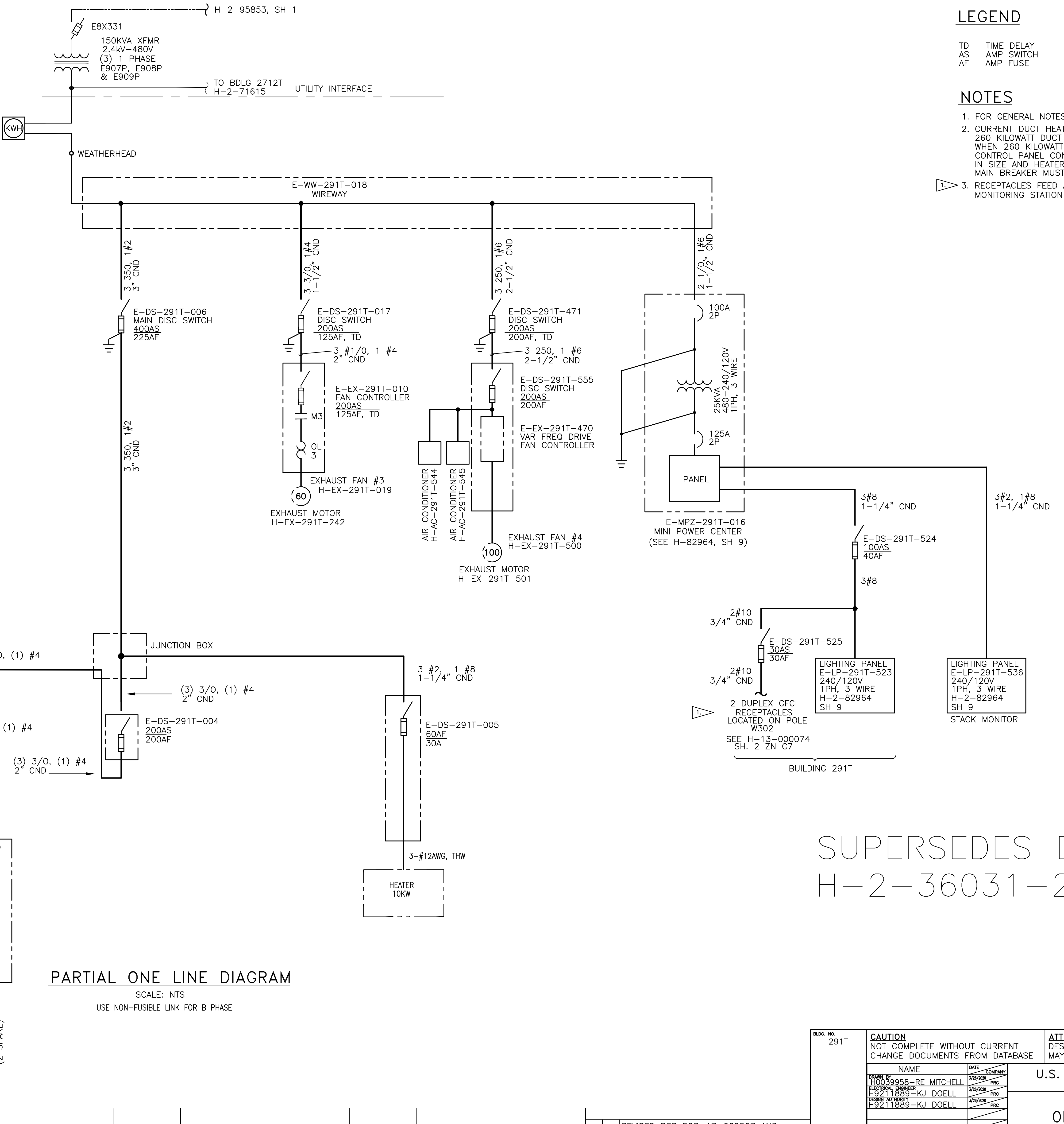


LEGEND

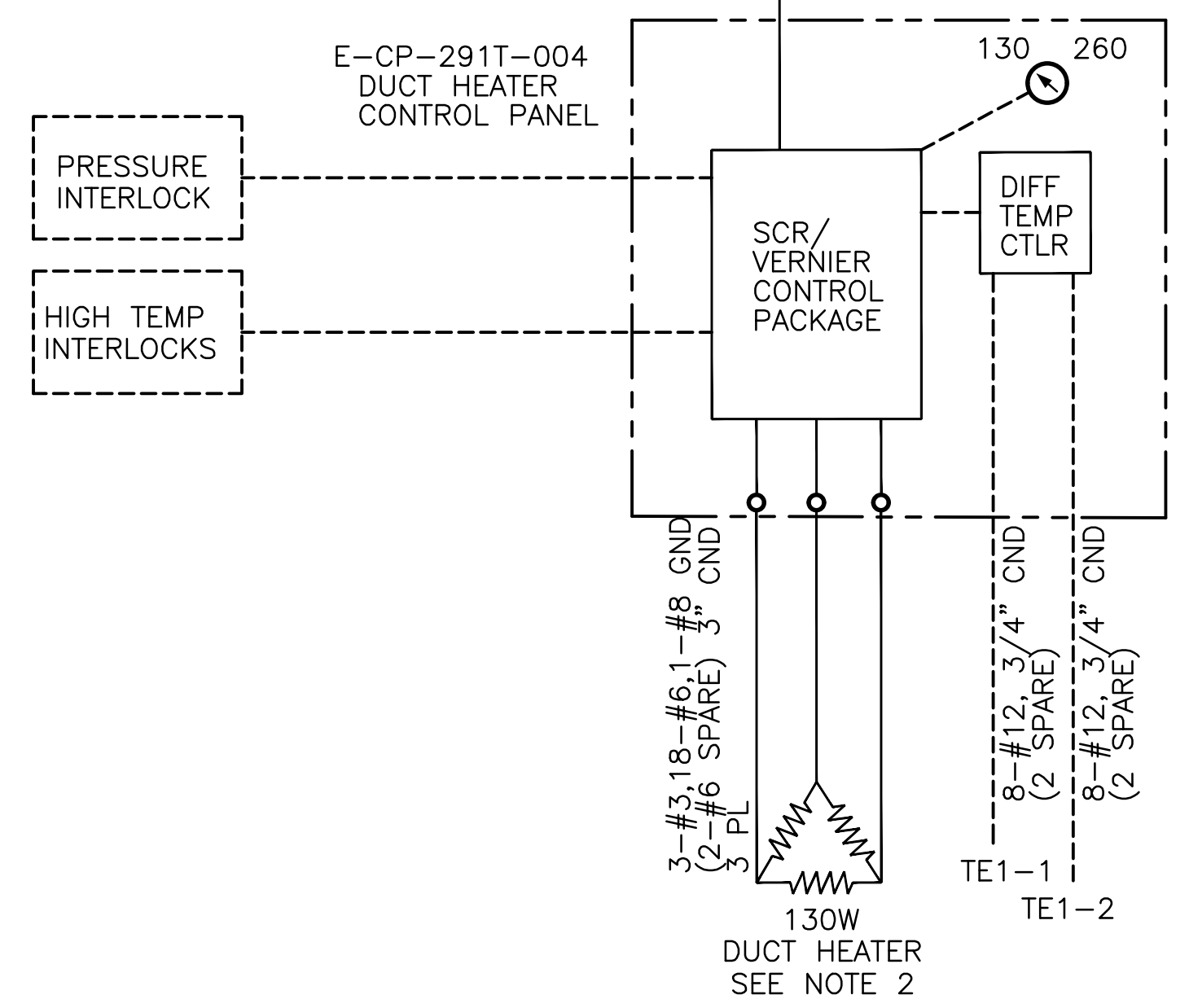
TD TIME DELAY
AS AMP SWITCH
AF AMP FUSE

NOTES

- 1. FOR GENERAL NOTES SEE SHEET 1.
- 2. CURRENT DUCT HEATER IS 130 KW. 260 KILOWATT DUCT HEATER MAY BE INSTALLED. WHEN 260 KILOWATT HEATER IS INSTALLED, REMOTE CONTROL PANEL CONDUCTORS MUST BE INCREASED IN SIZE AND HEATER REMOTE CONTROL PANEL MAIN BREAKER MUST BE REPLACED.
- 3. RECEPTACLES FEED AN ENVIRONMENTAL MONITORING STATION SINCE 2003



SEE H-2-77520 FOR DETAILS OF INTERLOCKS AND DUCT HEATER INTERCONNECTIONS.



PARTIAL ONE LINE DIAGRAM

SCALE: NTS
USE NON-FUSIBLE LINK FOR B PHASE

SUPERSEDES DWG
H-2-36031-2 REV 3

DATE:
Mar 30, 2020
HANFORD RELEASE

DWG NUMBER	TITLE	REF NUMBER	TITLE
DRAWING TRACEABILITY LIST			
		NEXT USED ON SEE SHEET 1	

MFD	REV NO.	DESCRIPTION
8		REVISED PER ECR-17-000597 AND ECR-19-000334
REV	REL	REVISIONS

BLDG. NO. 291T	CAUTION NOT COMPLETE WITHOUT CURRENT CHANGE DOCUMENTS FROM DATABASE		ATTENTION DESTROY THIS DOCUMENT BY SHREDDING MAY CONTAIN SENSITIVE INFORMATION	
	OWNER BY H0039958-RE MITCHELL ELECTRICAL ENGINEER H9211889-KJ DOELL DESIGN AUTHORITY H9211889-KJ DOELL	DATE 5/26/2020	COMPANY PRC	U.S. DEPARTMENT OF ENERGY Richland Operations Office
2400 VOLT ONE LINE DIAGRAM CANYON EXHAUST				
INDEX NO. 7901 5901	SIZE F	DRAWING NUMBER H-2-95853	SHEET 2	REV 8
SCALE NONE				