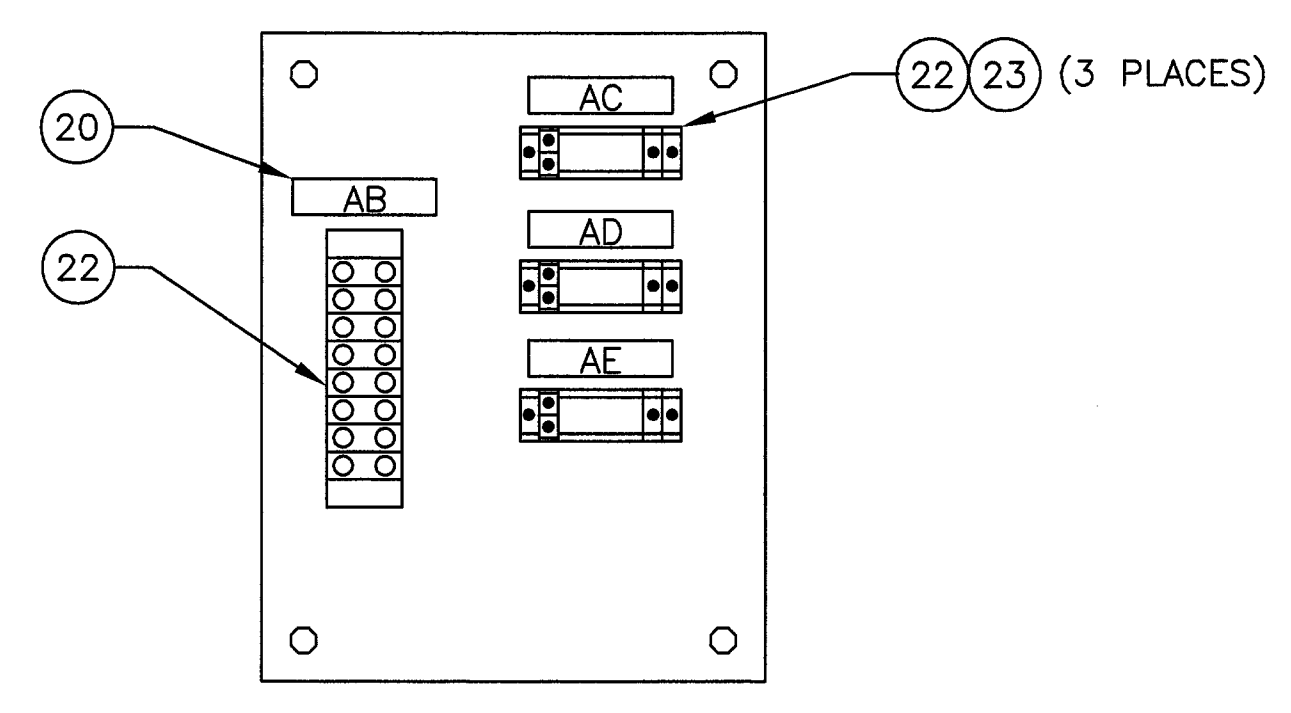
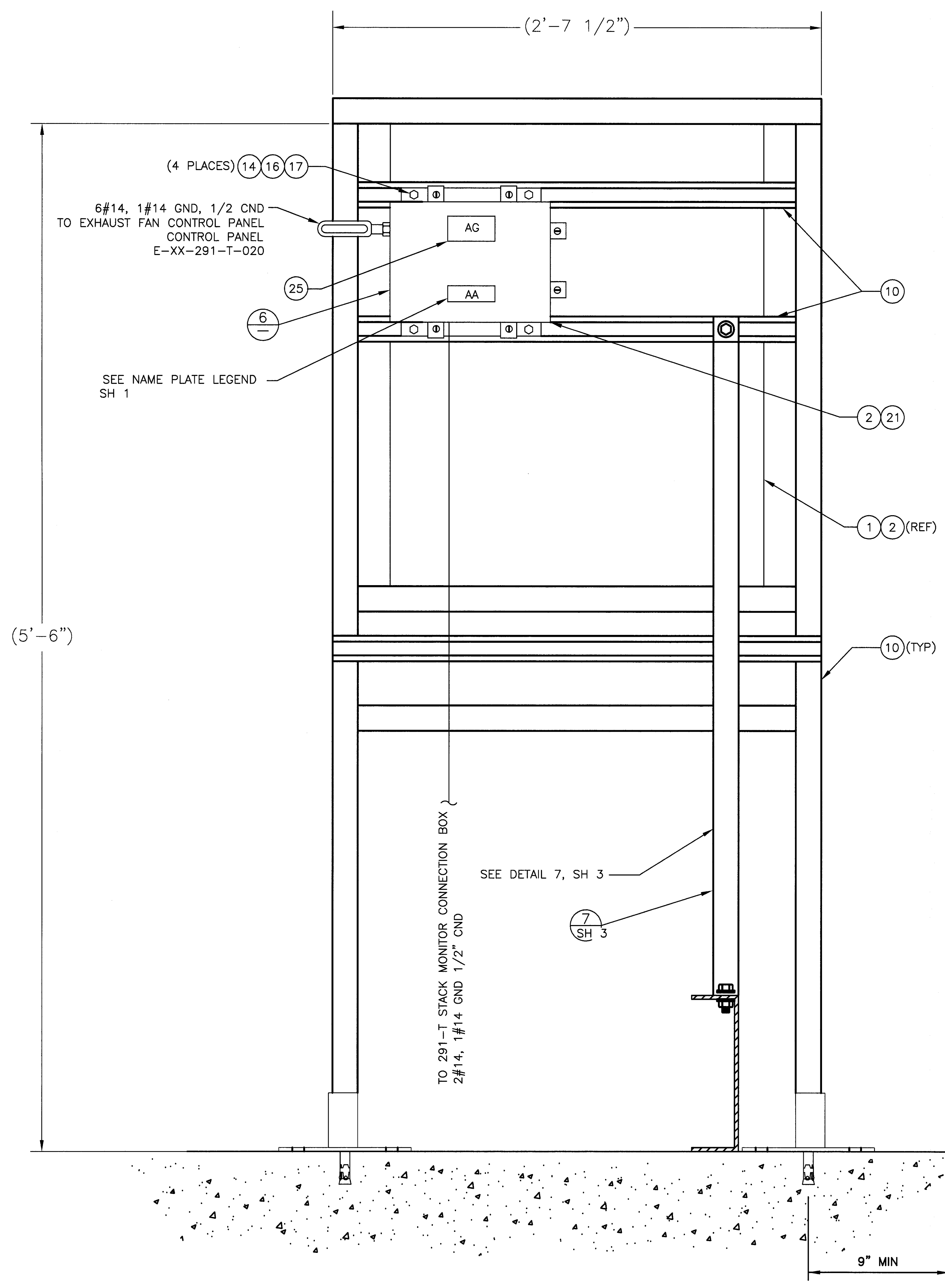


8 7 6 5 4 3 2 1

F
E
D
C
B
A



6 PANEL
SCALE: 3"=1'-0"

ELEVATION

MAR 04 2008
DATE: HANFORD
STA: 5
RELEASE
24

DESIGNED BY COOPER		DATE 02/08	COMPANY PH	U.S. DEPARTMENT OF ENERGY Richland Operations Office	
CHECKED BY DW LEE		DATE 2/10/08	COMPANY PH	ELECTRICAL T-PLANT MAIN STACK DETAILS	
APPROVED BY <i>[Signature]</i>		DATE 4/10/08	COMPANY PH	SIZE F	BLDG NO 291T
DESIGN AUTHORITY MIP STORM		DATE 4/10/08	COMPANY PH	INDEX NO 7301	DWG NO H-2-822768
SCALE NONE		SHEET 4		REV 0	
24490		DOE-TB-LDWO (01-01)			

DWG NO	TITLE	REF NUMBER	TITLE
	DRAWING TRACEABILITY LIST		REFERENCES
			NEXT USED ON

REV	NO	DESCRIPTION	REV BY	DATE	ENGR	COMPANY
0		RELEASED PER ECN 608640				

8 7 6 5 4 3 2 1

DWG NO H-2-822768 SH 4 OF REV 0