

8

7

6

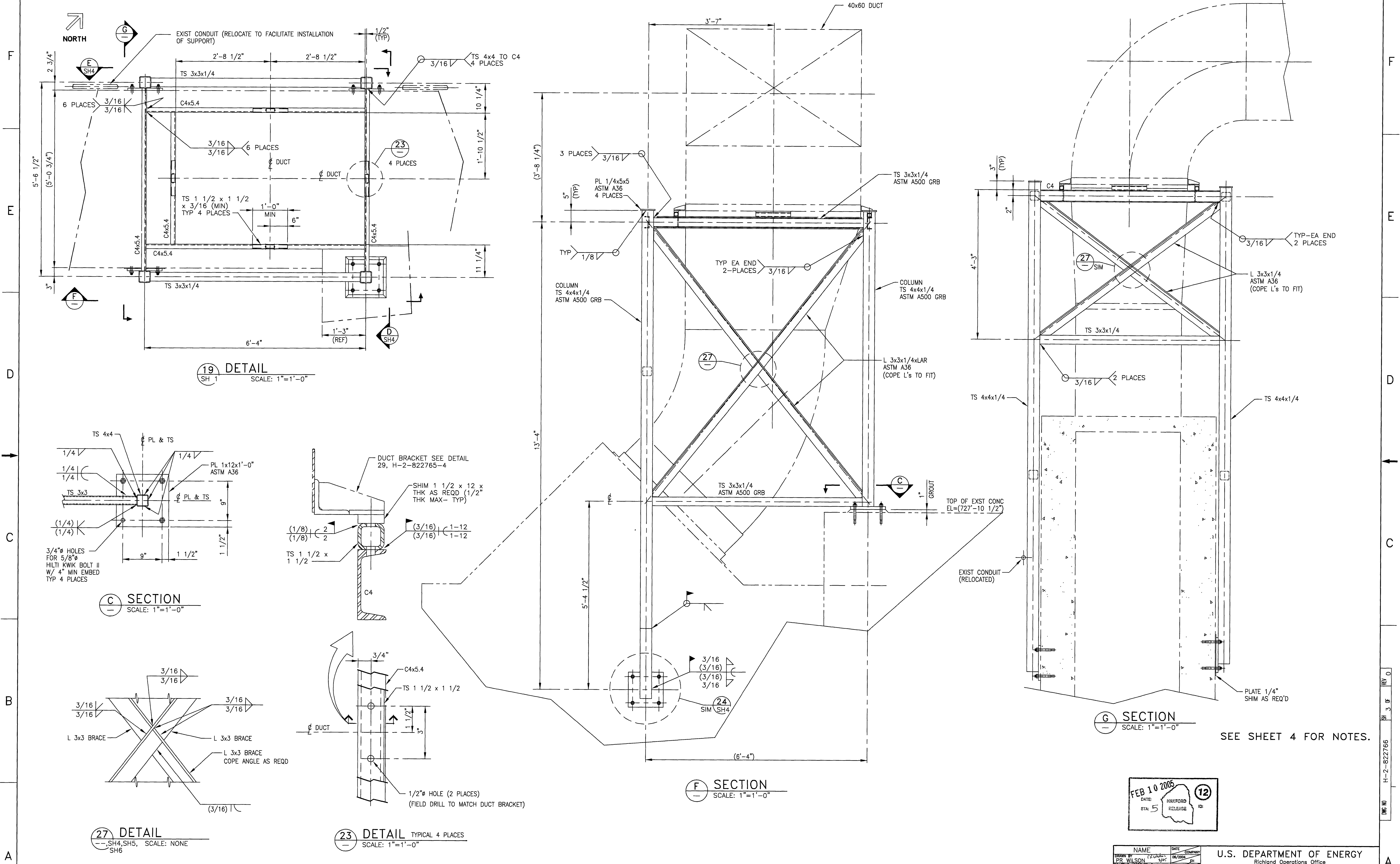
5

4

3

2

1



19 DETAIL
SH 1 SCALE: 1"=1'-0"

C SECTION
SCALE: 1"=1'-0"

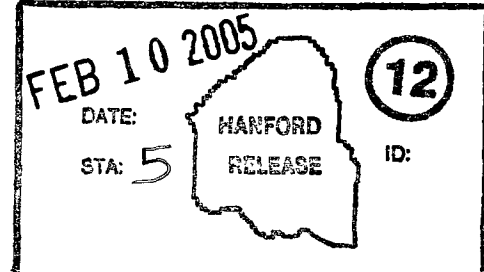
27 DETAIL
SH4, SH5, SH6 SCALE: NONE

23 DETAIL TYPICAL 4 PLACES
SCALE: 1"=1'-0"

F SECTION
SCALE: 1"=1'-0"

G SECTION
SCALE: 1"=1'-0"

SEE SHEET 4 FOR NOTES.



NAME		DATE	COMPANY	U.S. DEPARTMENT OF ENERGY	
PR WILSON		02/2005	PH	Richard Operations Office	
DESIGNED BY		DATE	COMPANY	HVAC	
PR COOPER		02/2005	PH	EQUIPMENT AND DUCT SUPPORTS	
SIZE	BUILD NO	INDEX NO	DWG NO	REV	
F	291T	1000	H-2-822766	0	
SCALE	SHOWN	REV	SHEET	3	OF

DWG NO	TITLE	REF NUMBER	TITLE
	DRAWING TRACEABILITY LIST		
		NEXT USED ON	SHEET 1

REV	DATE	DESCRIPTION	ENGR	COMPANY
0		HNF-FMP-01-8665-ROC RELEASED PER		

DWG NO H-2-822766 SH 3 OF 0

A

8

7

6

5

4

3

2

1