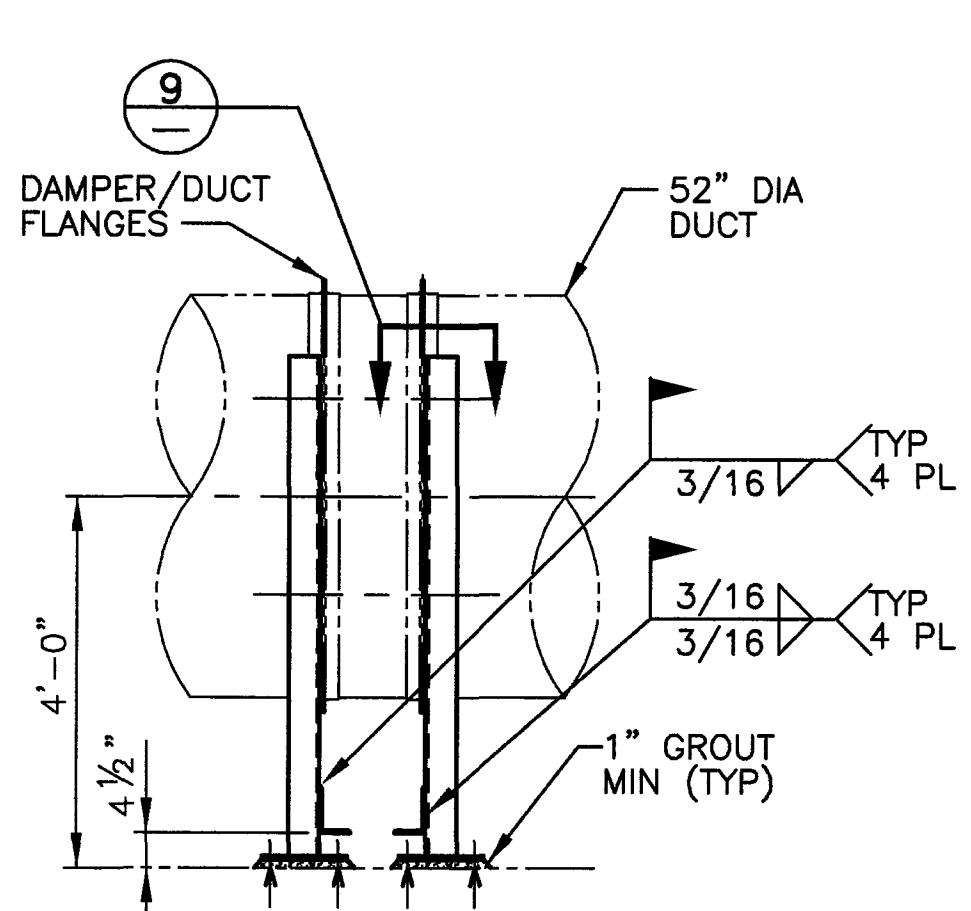
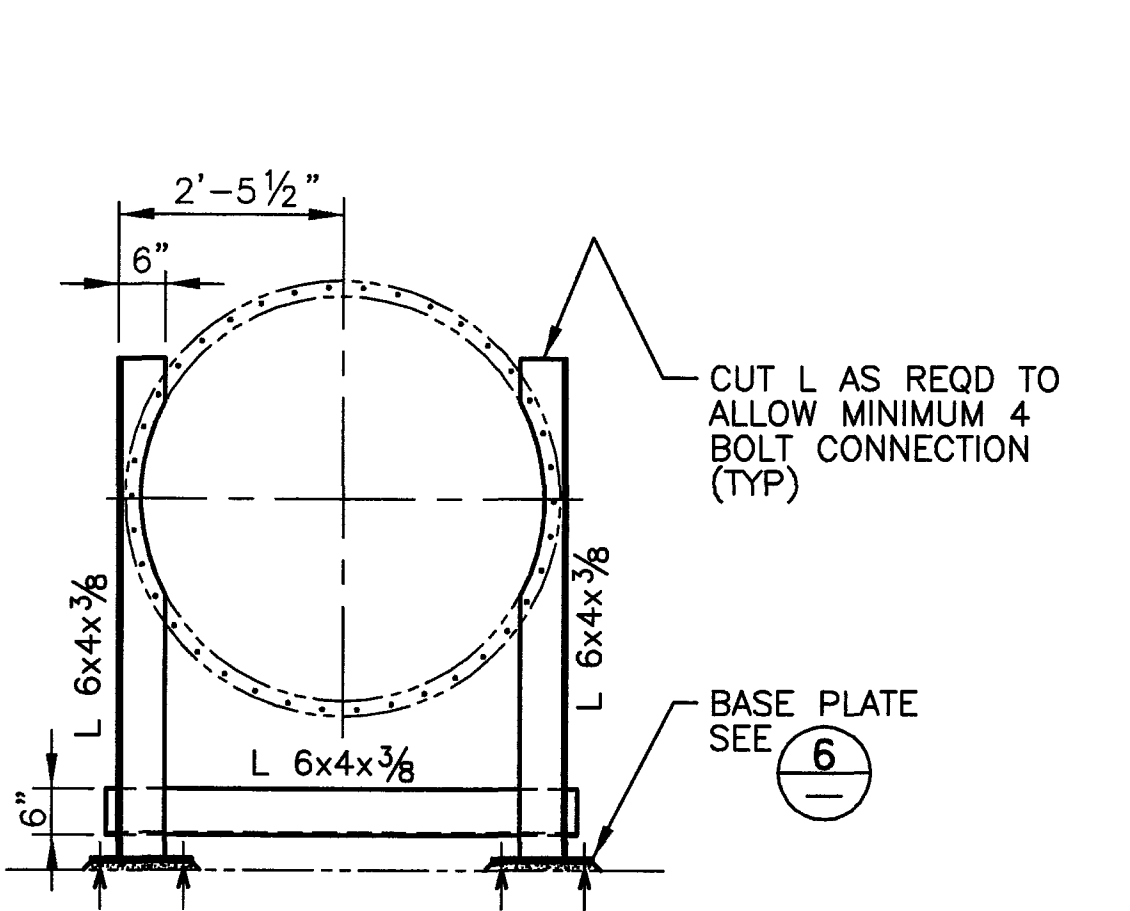


PLAN
SCALE: 1/4"=1'-0"

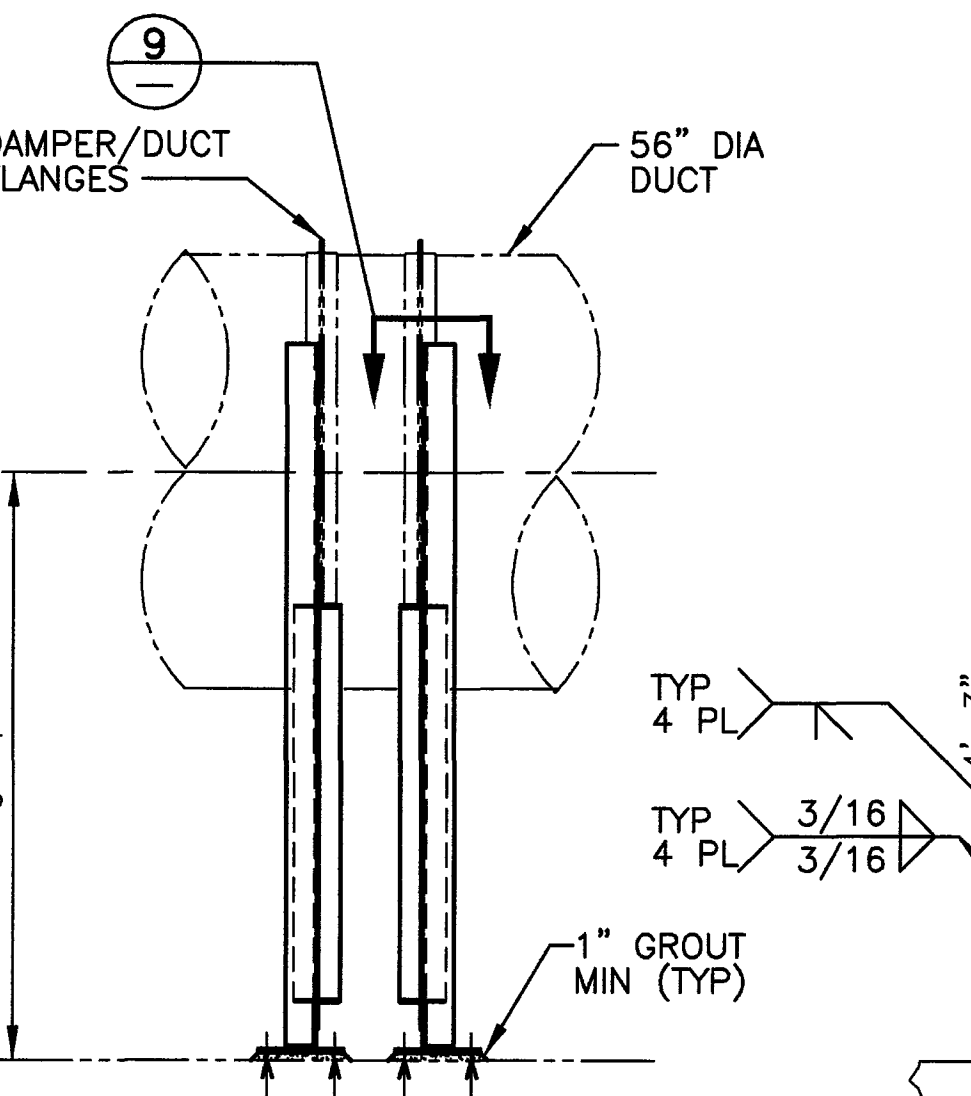
- UNDERGROUND LINES LEGEND**
- ① EXISTING UNDERGROUND LINE AT 3'-0"± DEPTH.
 - ② 1 1/4" EMT 3#2-RW WIRES RUN UNDERGROUND IN CONC ENVELOPE ABANDONED IN PLACE.
 - ③ 1 1/4" EMT 3#2-RW WIRES RUN UNDERGROUND IN CONC ENVELOPE ABANDONED IN PLACE.
 - ④ EXISTING UNDERGROUND LINES AT 0'-6"± DEPTH & 3'-0"± DEPTH.



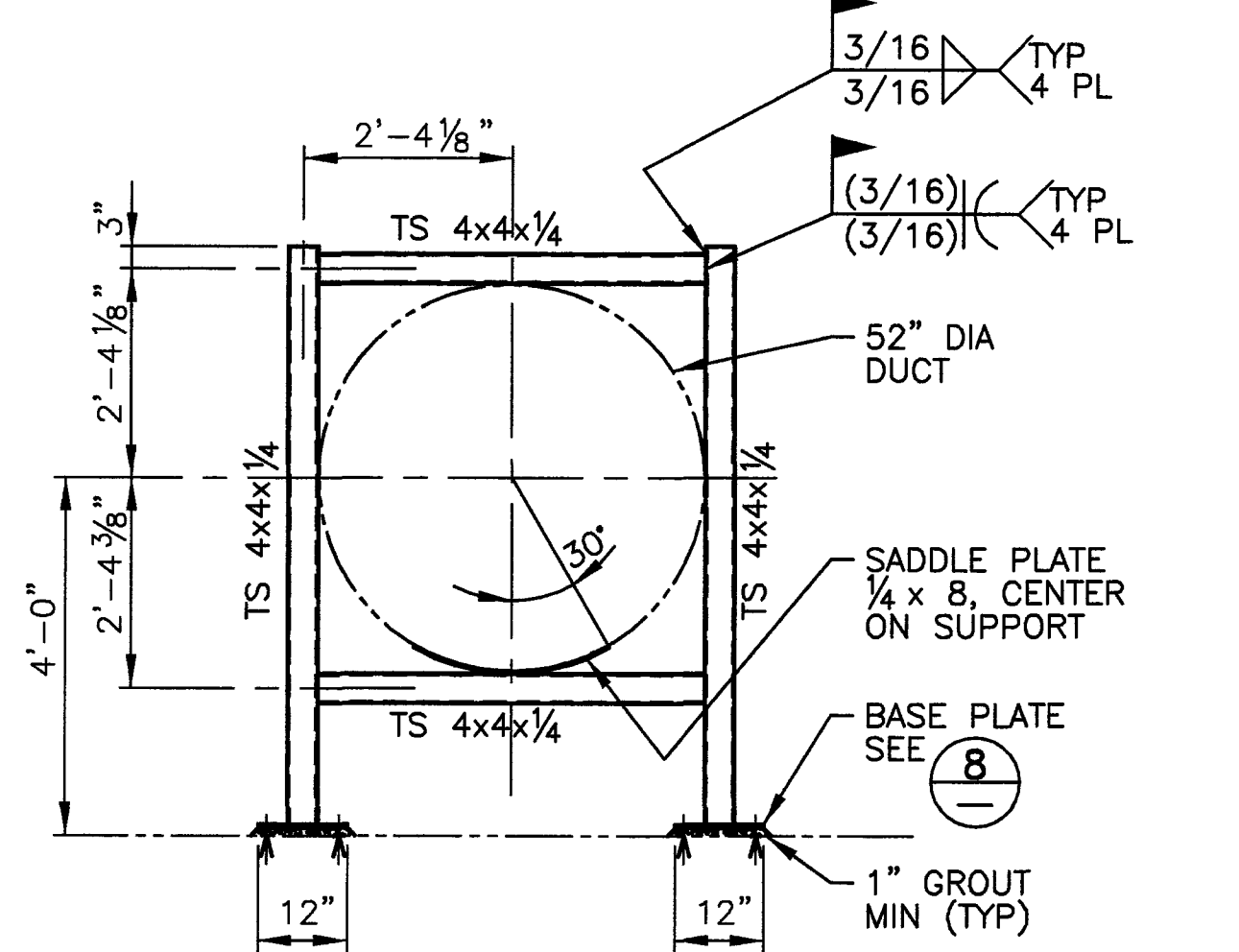
1 DETAIL
SCALE: 1/2"=1'-0"



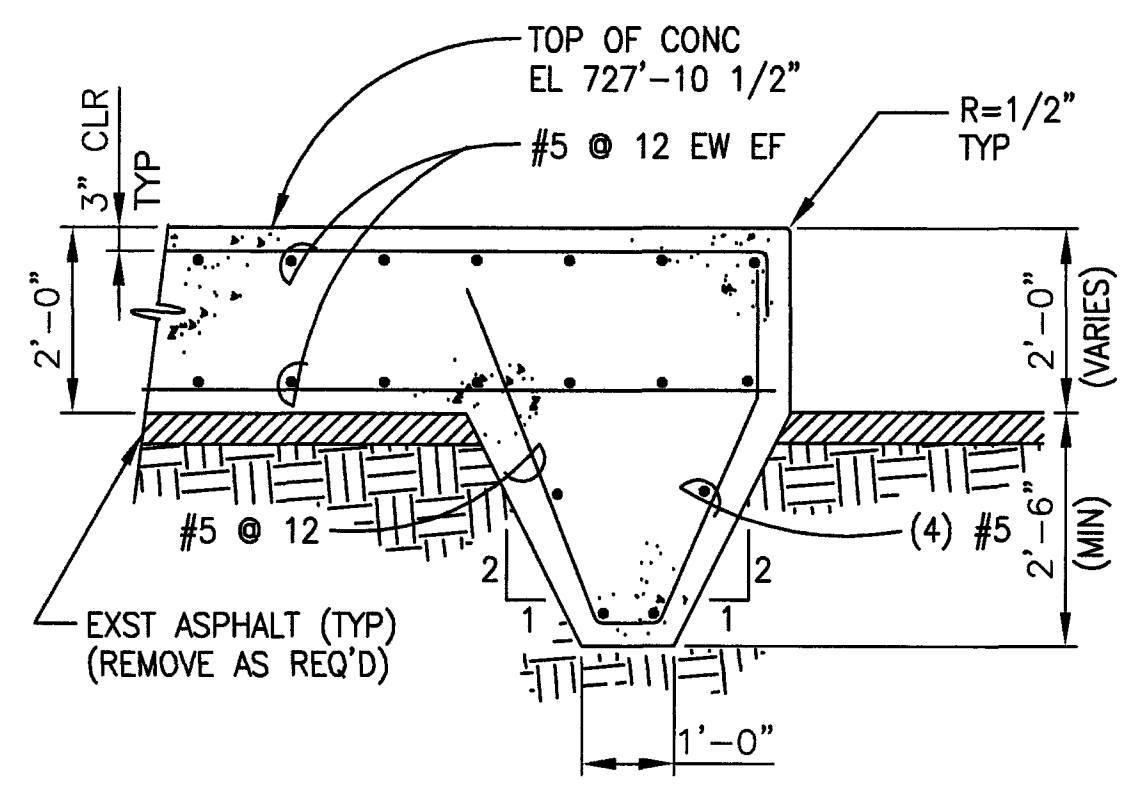
3 DETAIL
SCALE: 1/2"=1'-0"



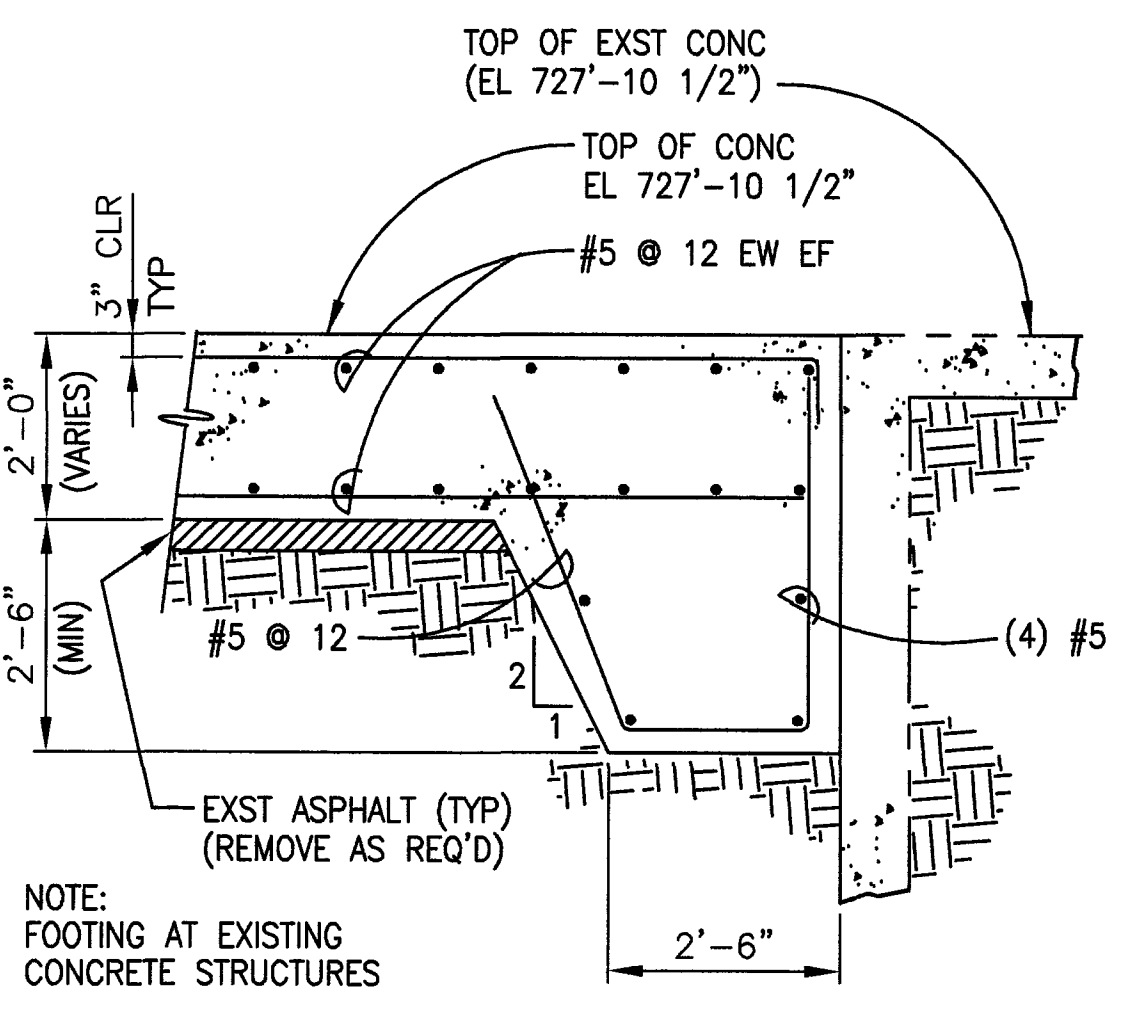
2 DETAIL
SCALE: 1/2"=1'-0"



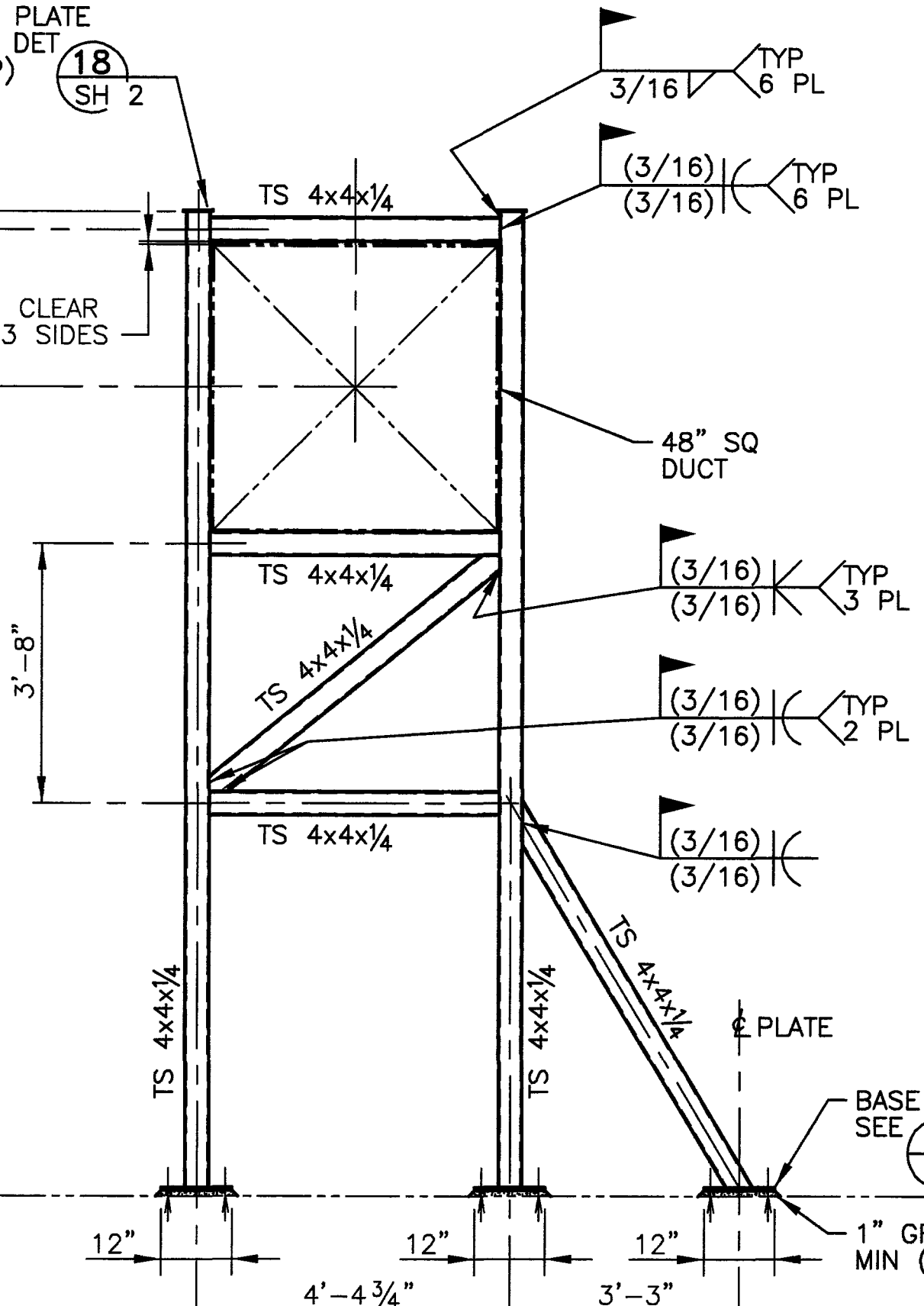
4 DETAIL
SCALE: 1/2"=1'-0"



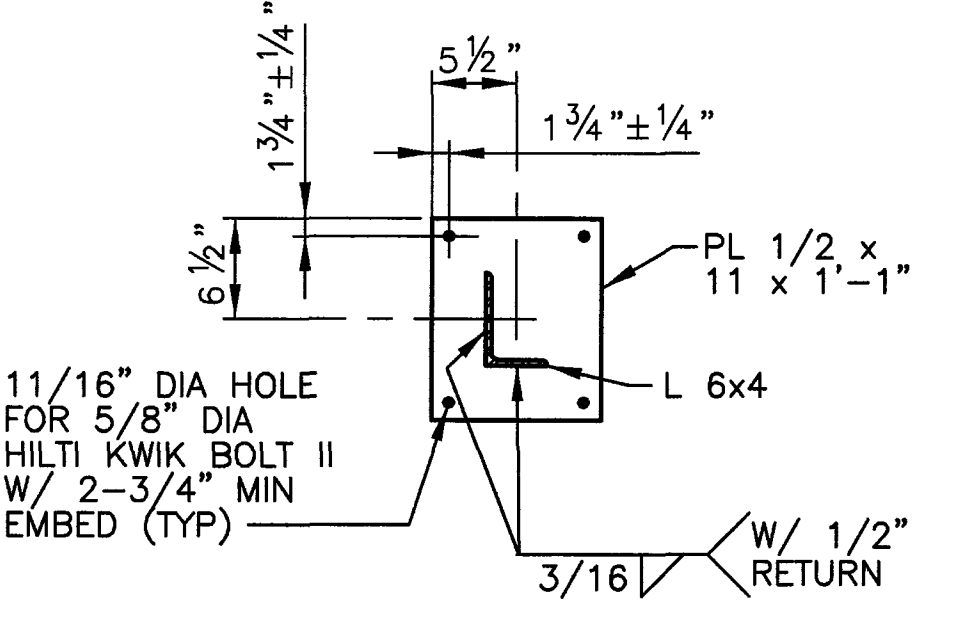
A SECTION
SCALE: 1/2"=1'-0"



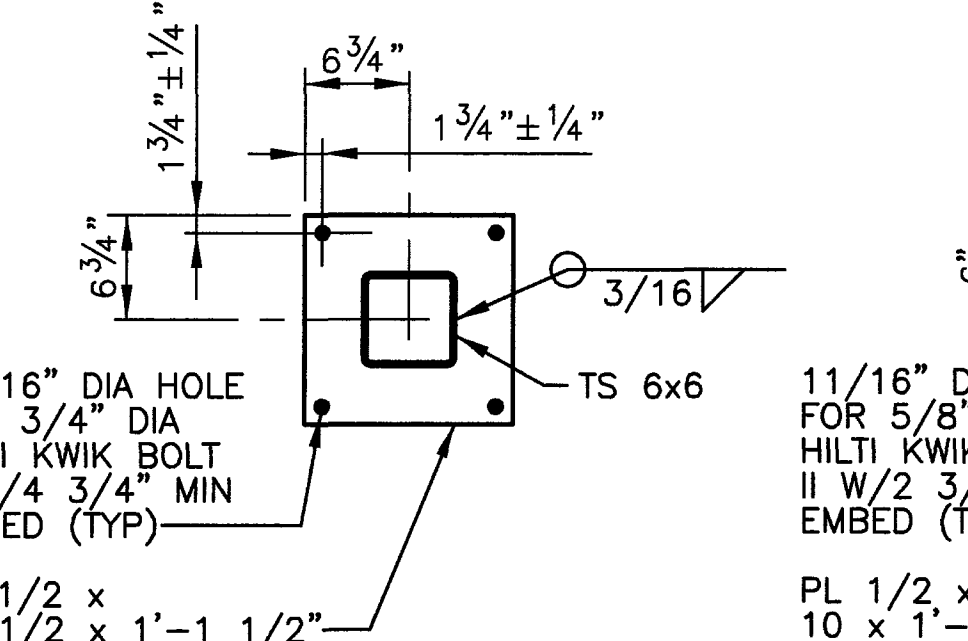
B SECTION
SCALE: 1/2"=1'-0"



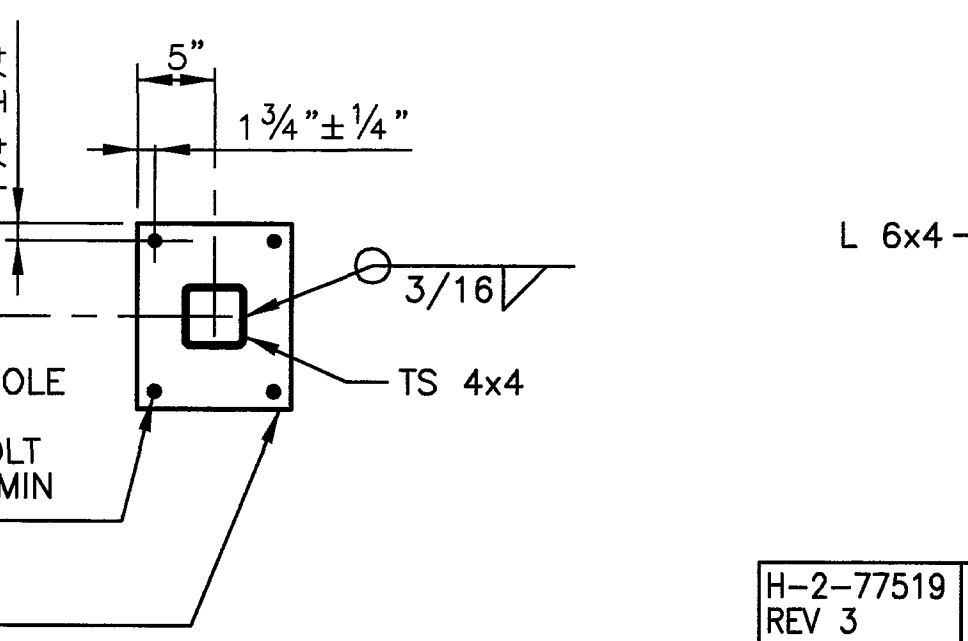
5 DETAIL
SCALE: 1/2"=1'-0"



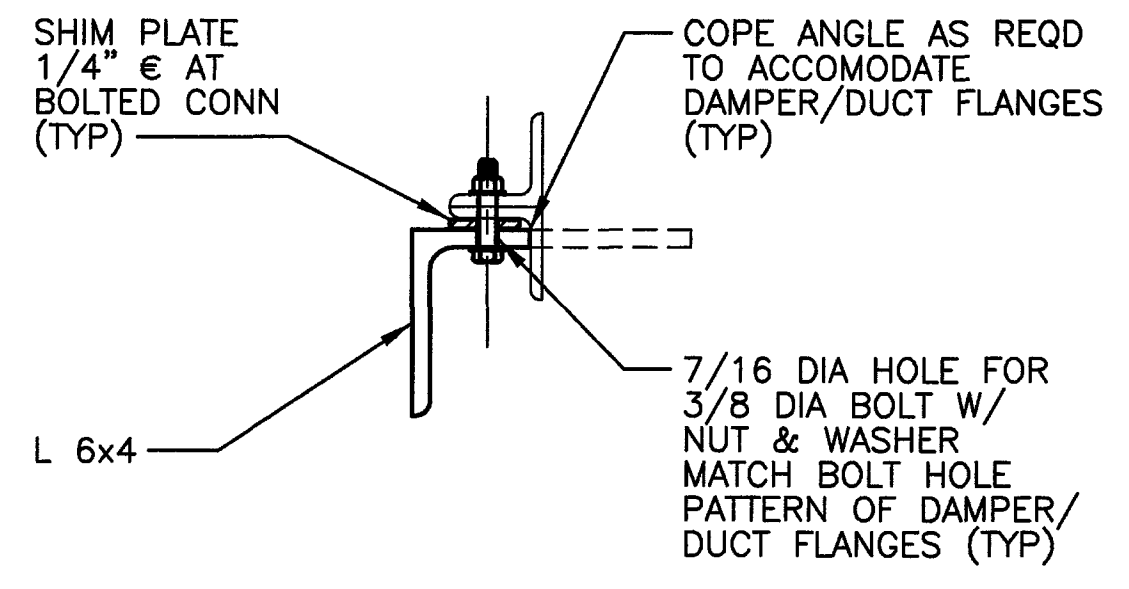
6 DETAIL
SCALE: 1"=1'-0"



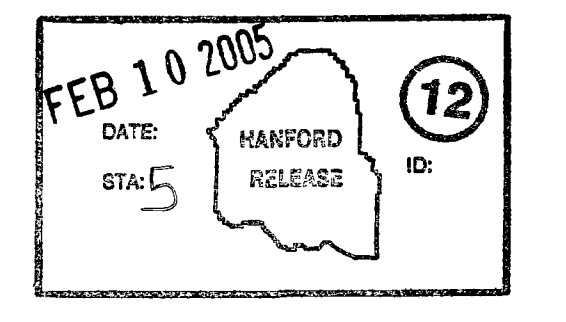
7 DETAIL
SCALE: 1"=1'-0"



8 DETAIL
SCALE: 1"=1'-0"



9 DETAIL
SCALE: 3"=1'-0"



CONFIDENCE LEVEL C
PHYSICAL VERIFICATION OF VISUAL OBSERVATIONS ONLY THAT DEPICTED ITEMS ARE PHYSICALLY INSTALLED IN THEIR RELEVANT LOCATIONS

H-2-77519 REV 3	T-PLANT MAIN STACK HVAC AND PIPING DETAILS		
H-2-77518 REV 3	HVAC AND PIPING PLAN AND SECTIONS		
H-2-77515 REV 3	PLAN AND DETAILS	H-2-822764 HVAC PLAN	
H-2-1430	EXHAUST AIR SAND FILTER OUTLET DUCT COVER	H-2-822763 SITE PLAN	

NO.	DESCRIPTION	DATE	BY
2	AS-BUILT FOR PROJ W-533 HNF-FMP-01-8665-ROC & HNF-FMP-01-8665-RO, INCORPORATED	02/05	WAC

DESIGNED	TK EHRHARD	DATE	02/05
CHECKED	WA ADAMEK	DATE	02/05
APPROVED FOR DISTRIBUTION	FOR JOHN L. BELCHER	DATE	06-30-05

DESIGNED	TK EHRHARD	DATE	02/05
CHECKED	WA ADAMEK	DATE	02/05
APPROVED FOR DISTRIBUTION	FOR JOHN L. BELCHER	DATE	06-30-05
U.S. DEPARTMENT OF ENERGY			
RICHLAND OPERATIONS OFFICE			
ICF KAISER HANFORD COMPANY			
STRL			
EQUIPMENT AND DUCT SUPPORTS			
PROJECT	W-334, 291-T VENTILATION UPGRADE	SCALE	291 T
INDEX NO.	1000	SCALE	291 T
JOB NO. P92800		SHEET 1 OF 8	