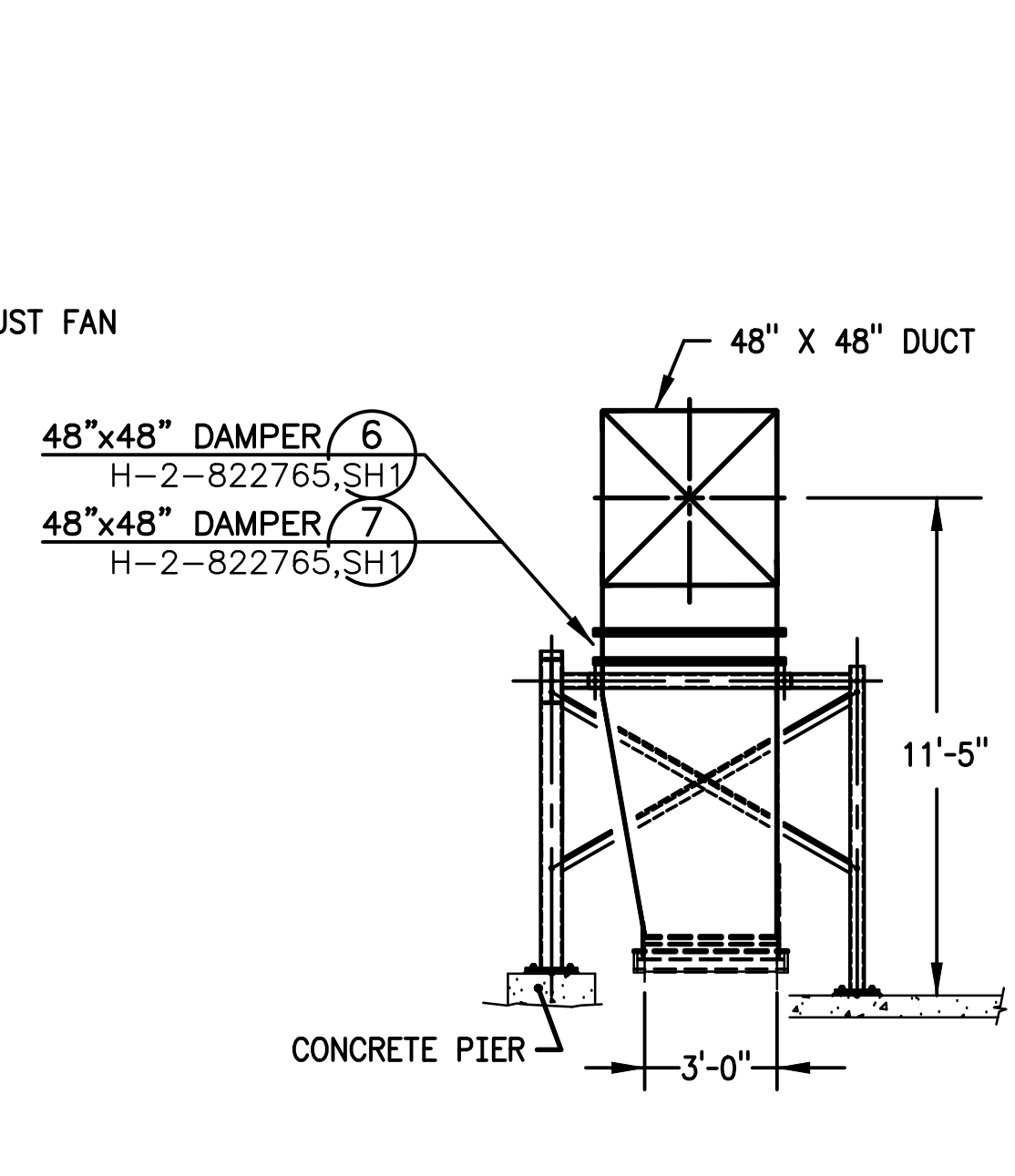
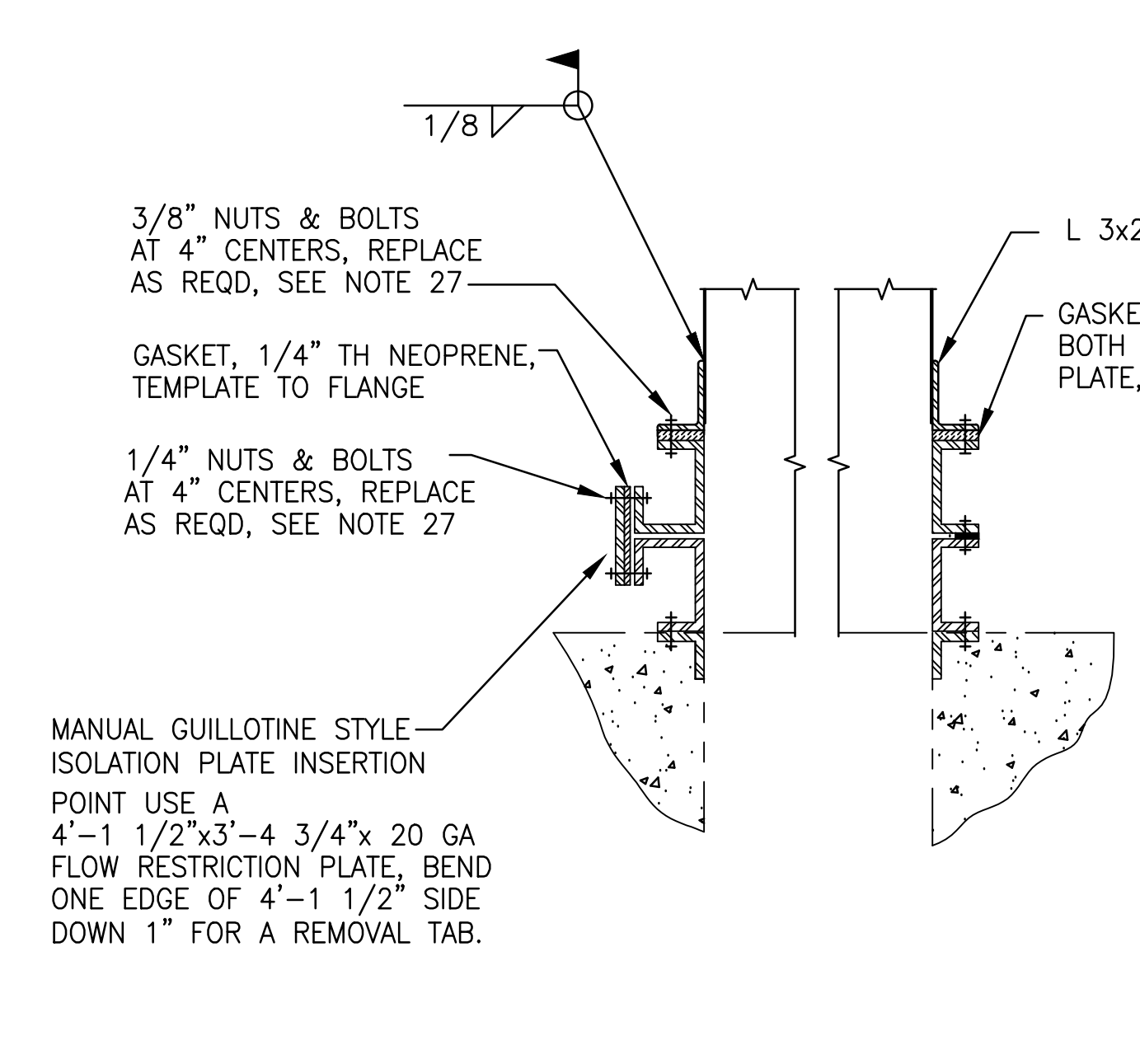


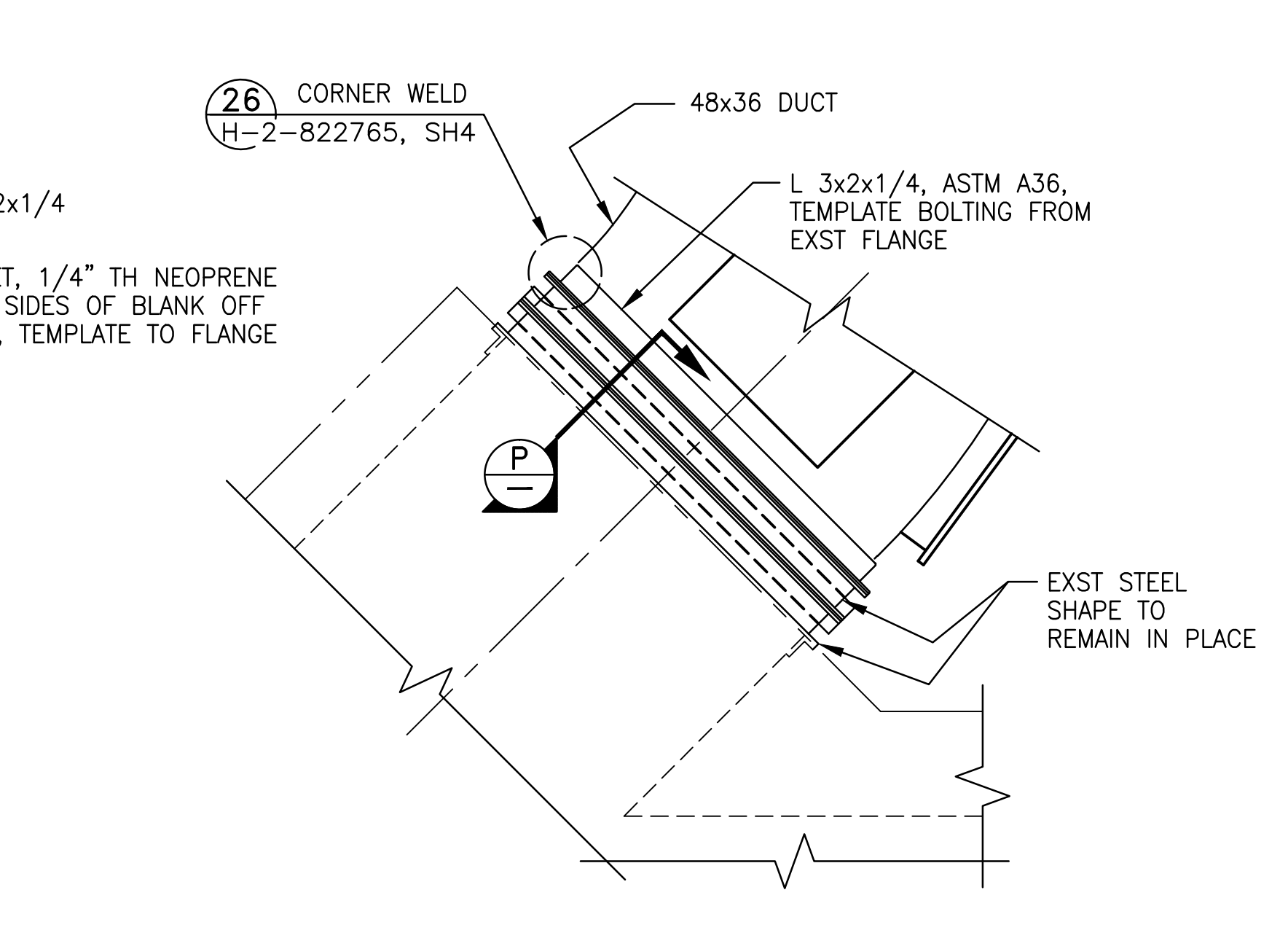
C SECTION
SH 2 SCALE: 1/4"=1'-0"



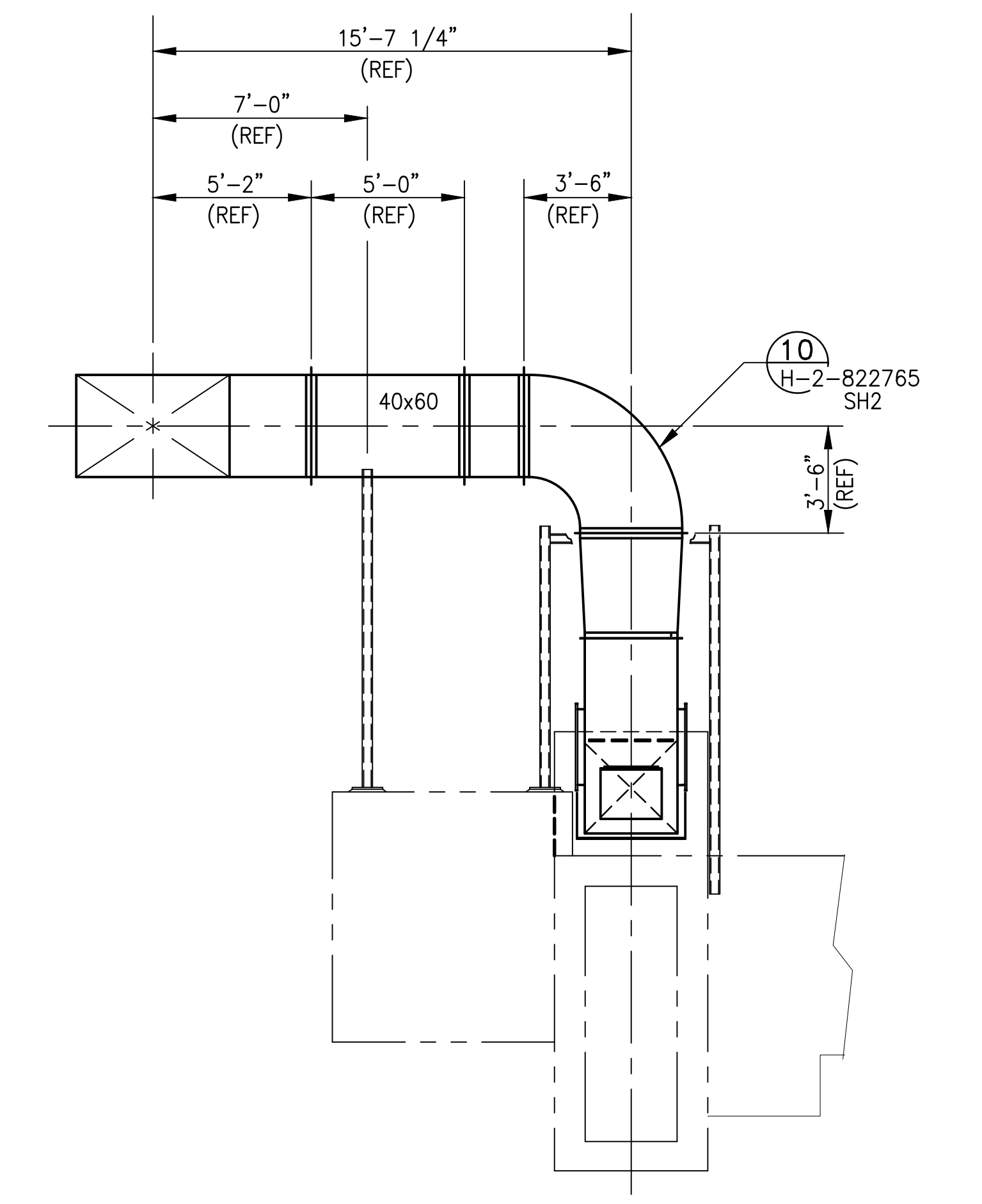
D SECTION
SH 2 SCALE: 1/4"=1'-0"



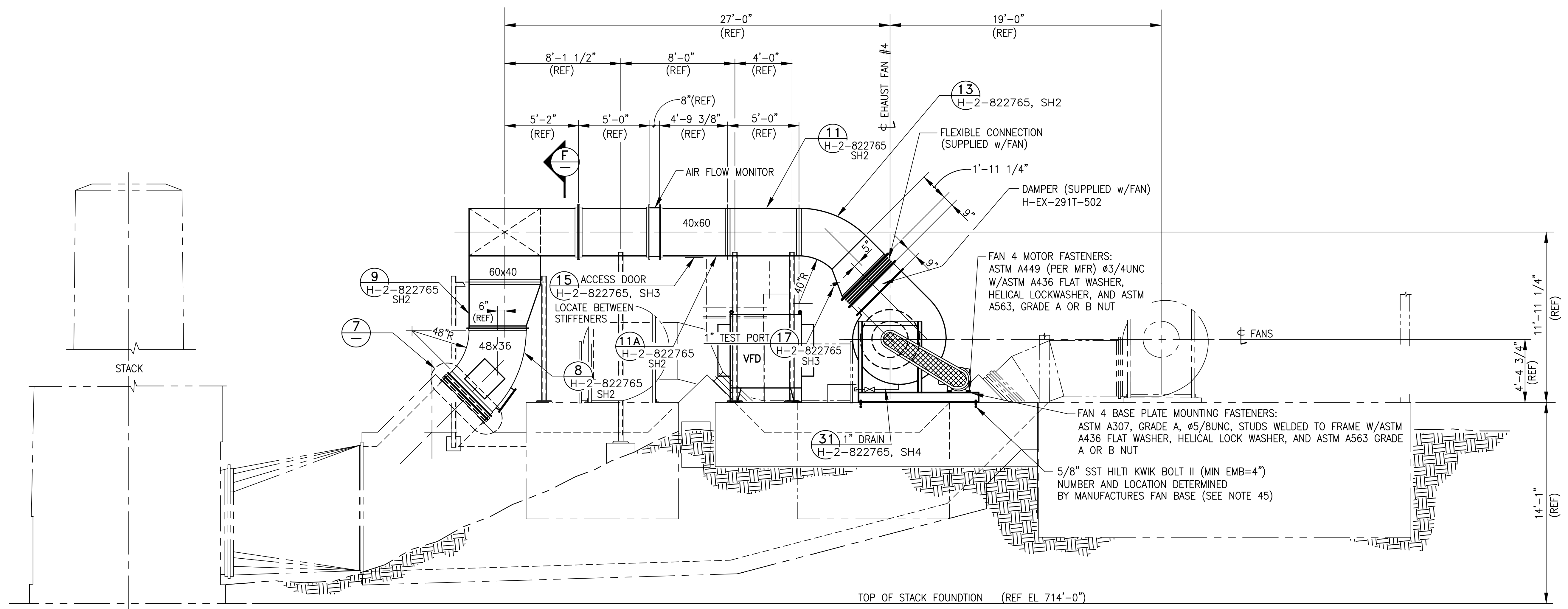
P SECTION
SCALE: NONE



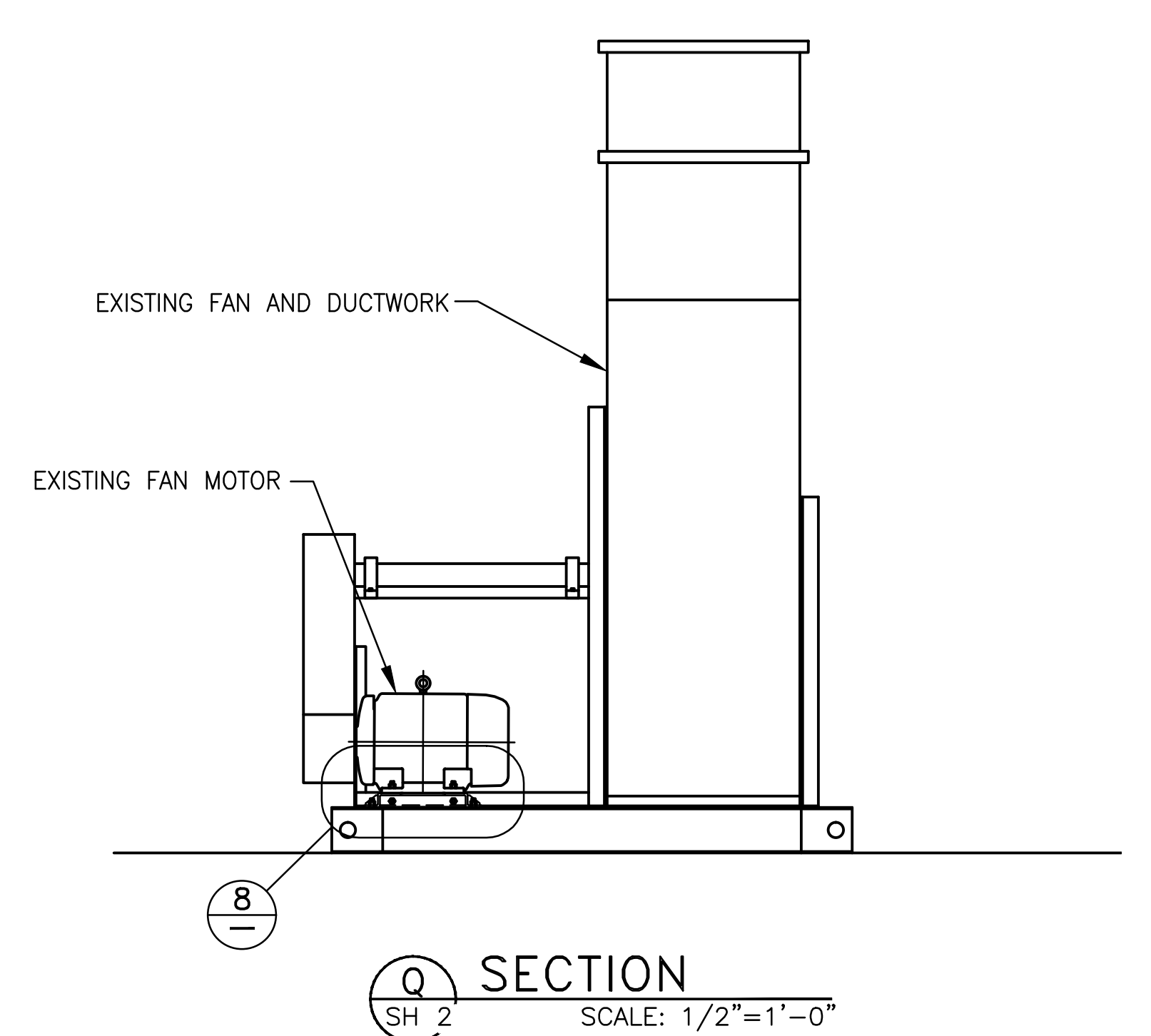
7 DETAIL
SH 3, 4 SCALE: 3/4"=1'-0"



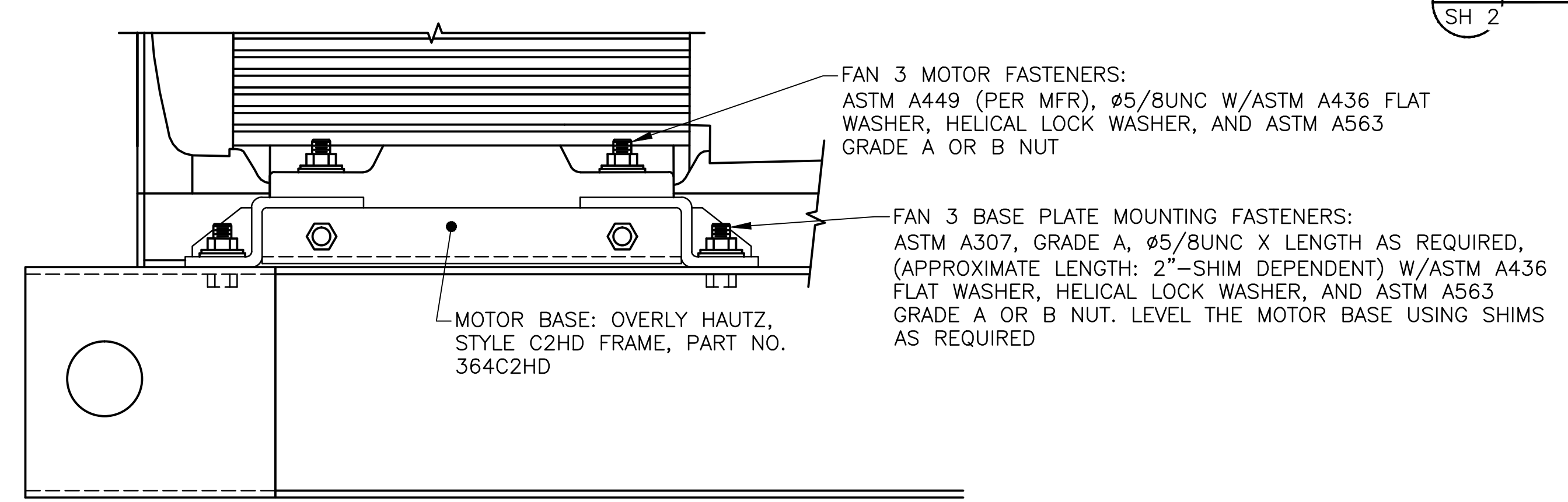
F SECTION
SCALE 1/4" = 1'-0"



E SECTION
SH 2 SCALE: 1/4"=1'-0"



Q SECTION
SH 2 SCALE: 1/2"=1'-0"



8 DETAIL
SCALE: SCALE: 3" = 1'-0"

FOR GENERAL NOTES SEE SHEET 1.

DATE:
Jul 16, 2018
HANFORD RELEASE

BLDG. NO. 291T	CAUTION NOT COMPLETE WITHOUT CURRENT CHANGE DOCUMENTS FROM DATABASE	ATTENTION DESTROY THIS DOCUMENT BY SHREDDING MAY CONTAIN SENSITIVE INFORMATION
OWNER OF H0039958-RE MITCHELL DESIGN APPROVED H0535295-HF SHUMAKE	DATE 7/16/2018 COMPANY PRC	U.S. DEPARTMENT OF ENERGY Richland Operations Office
INDEX NO. 0101 8900	HVAC EXHAUST FAN EF4 DUCTWORK	
	DRAWING NUMBER H-2-822764	SHEET 3
	SCALE SHOWN	REV 1

DWG NUMBER	TITLE	REF NUMBER	TITLE
	DRAWING TRACEABILITY LIST		REFERENCES
			REVISIONS

NO.	REV. NO.	DESCRIPTION
1		REVISED PER ECR-17-001770