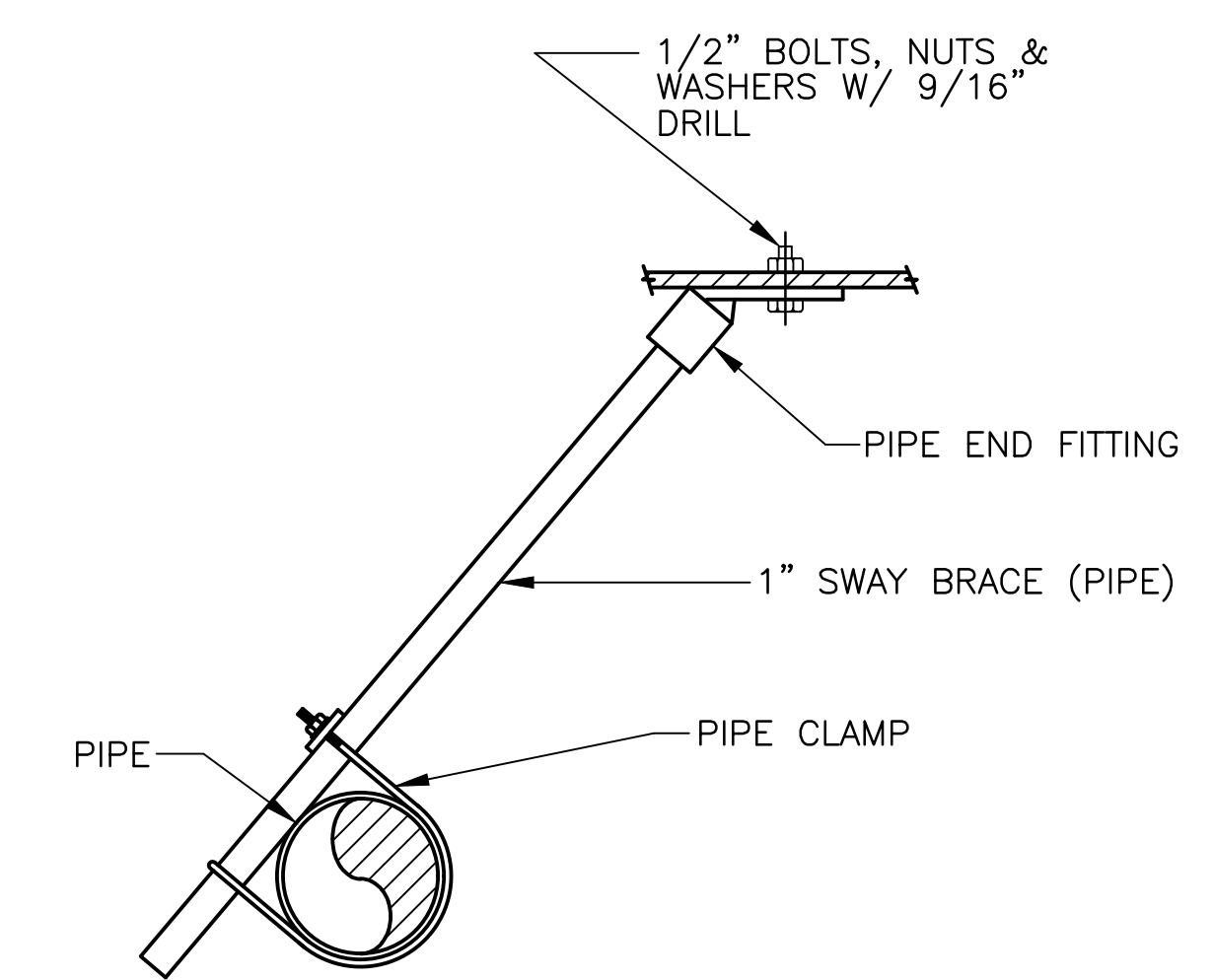
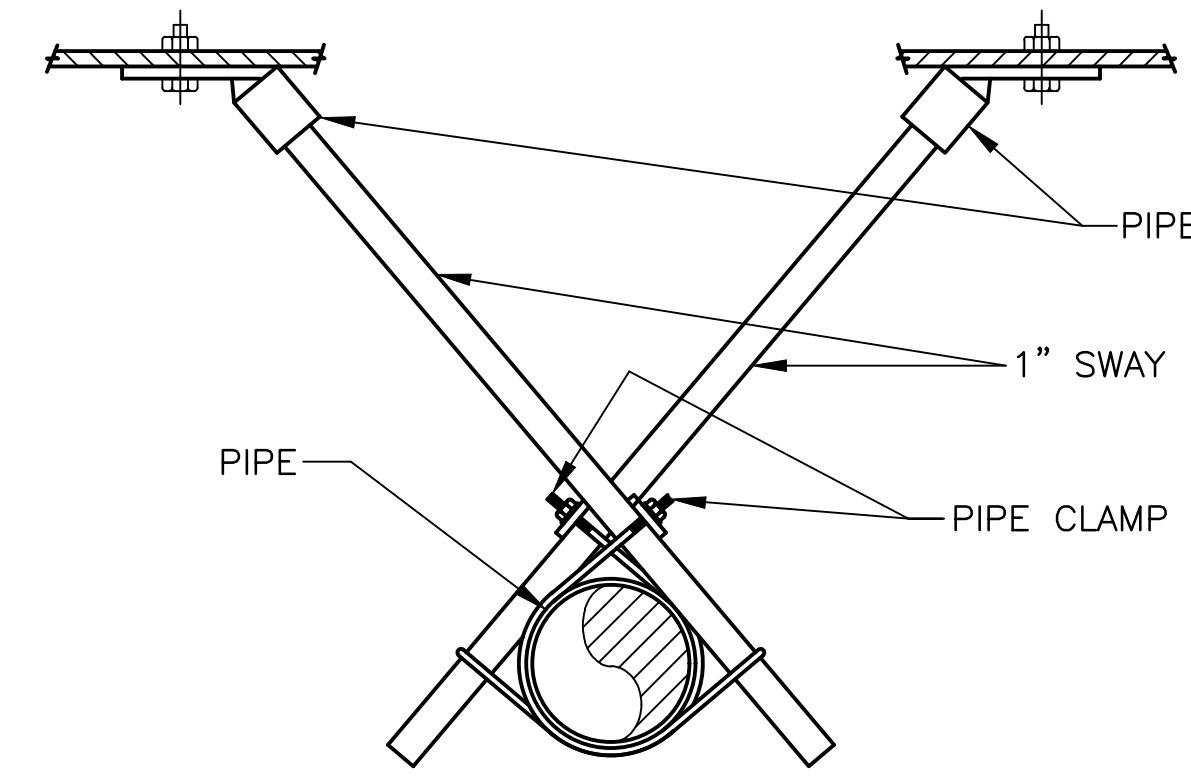


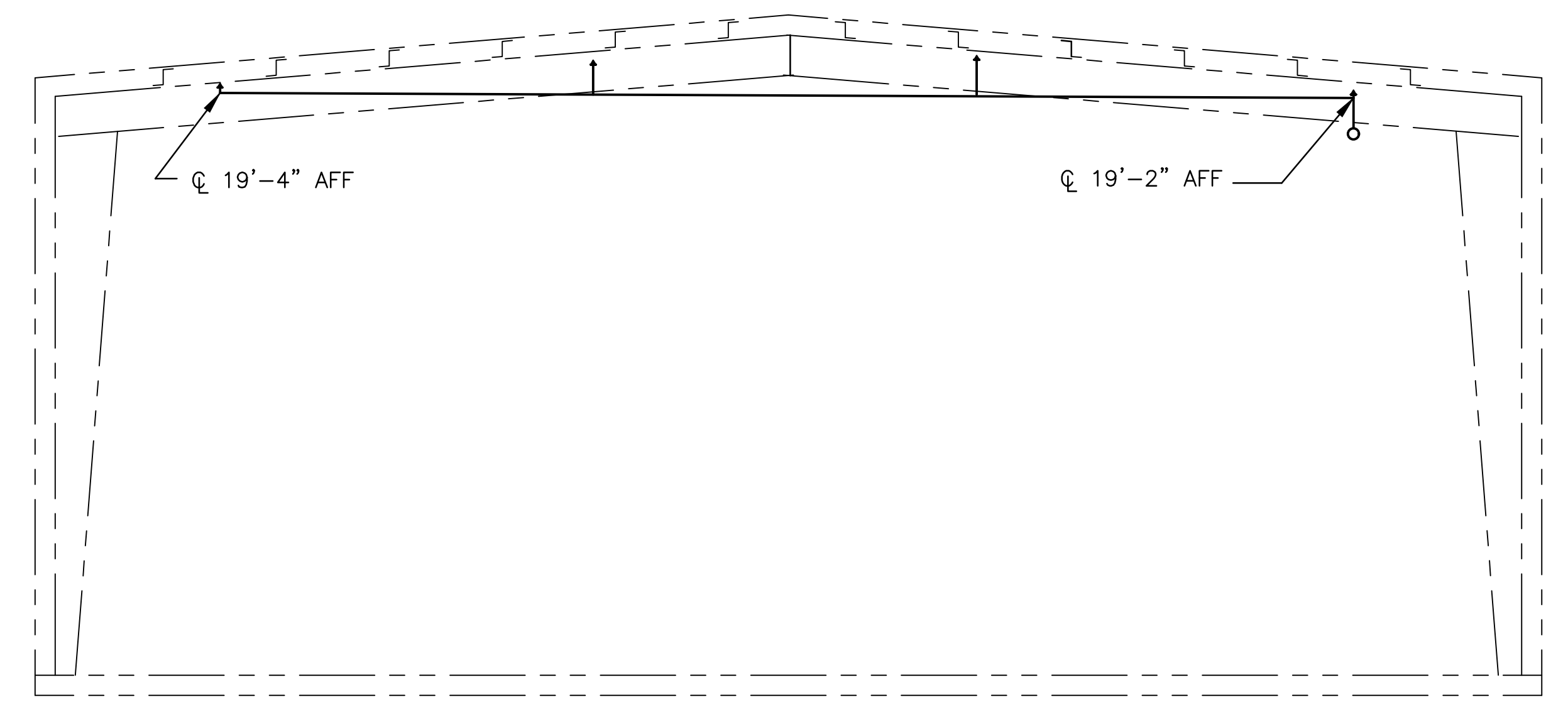
SECTION
B SH-1



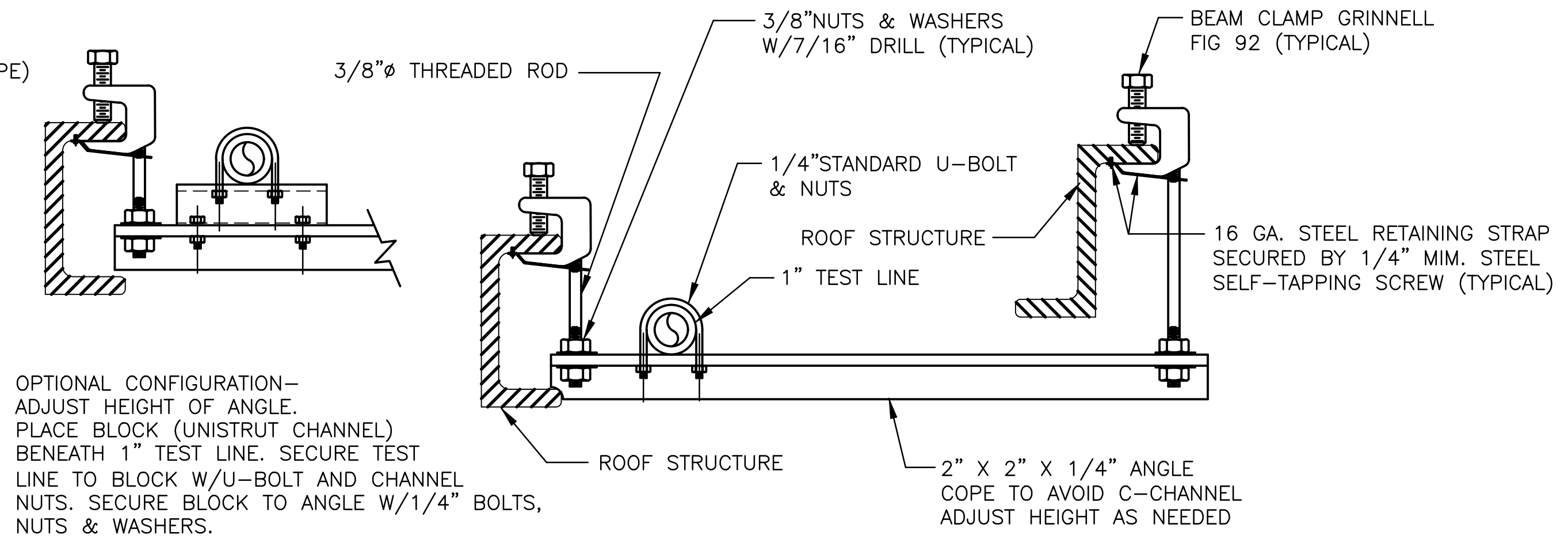
LATERAL SWAY BRACE DETAIL IV
(TYPICAL 2-WAY SWAY BRACE DETAIL)



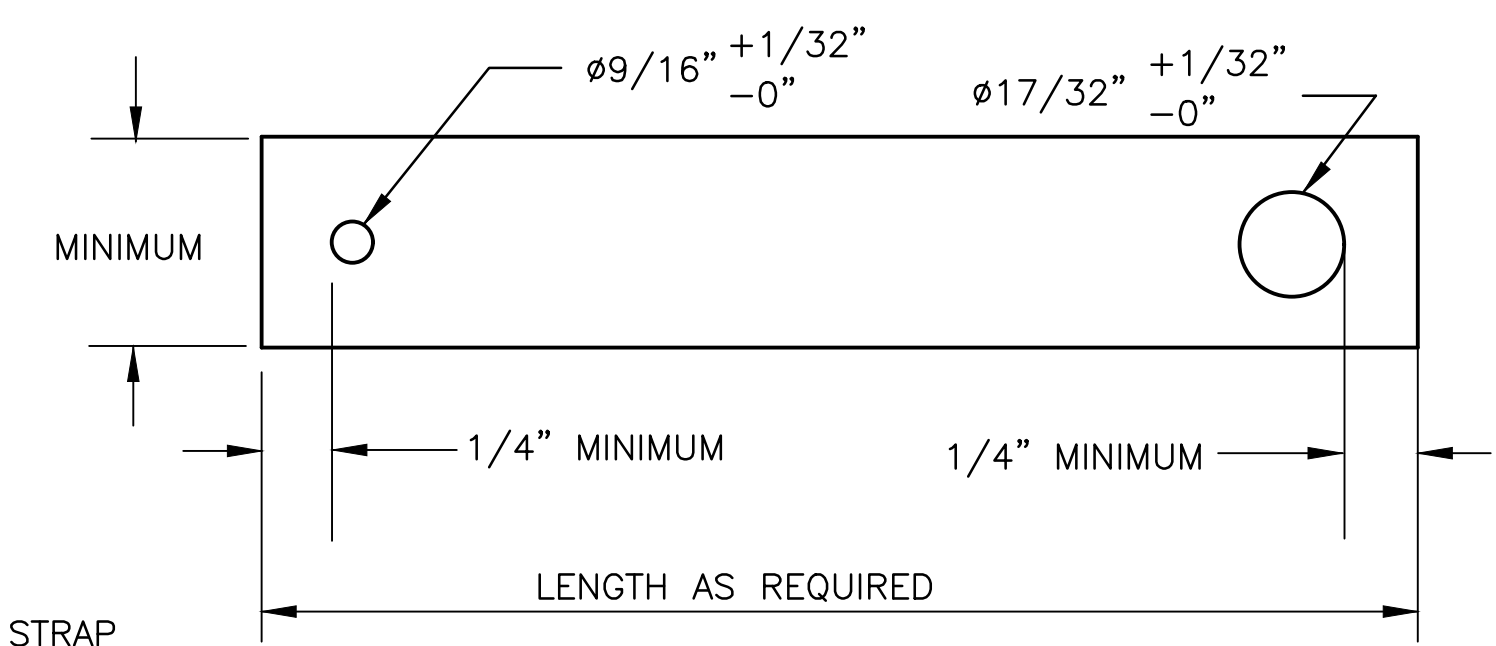
SWAY BRACE DETAIL V
(TYPICAL 4-WAY SWAY BRACE DETAIL)



SECTION
A SH-1

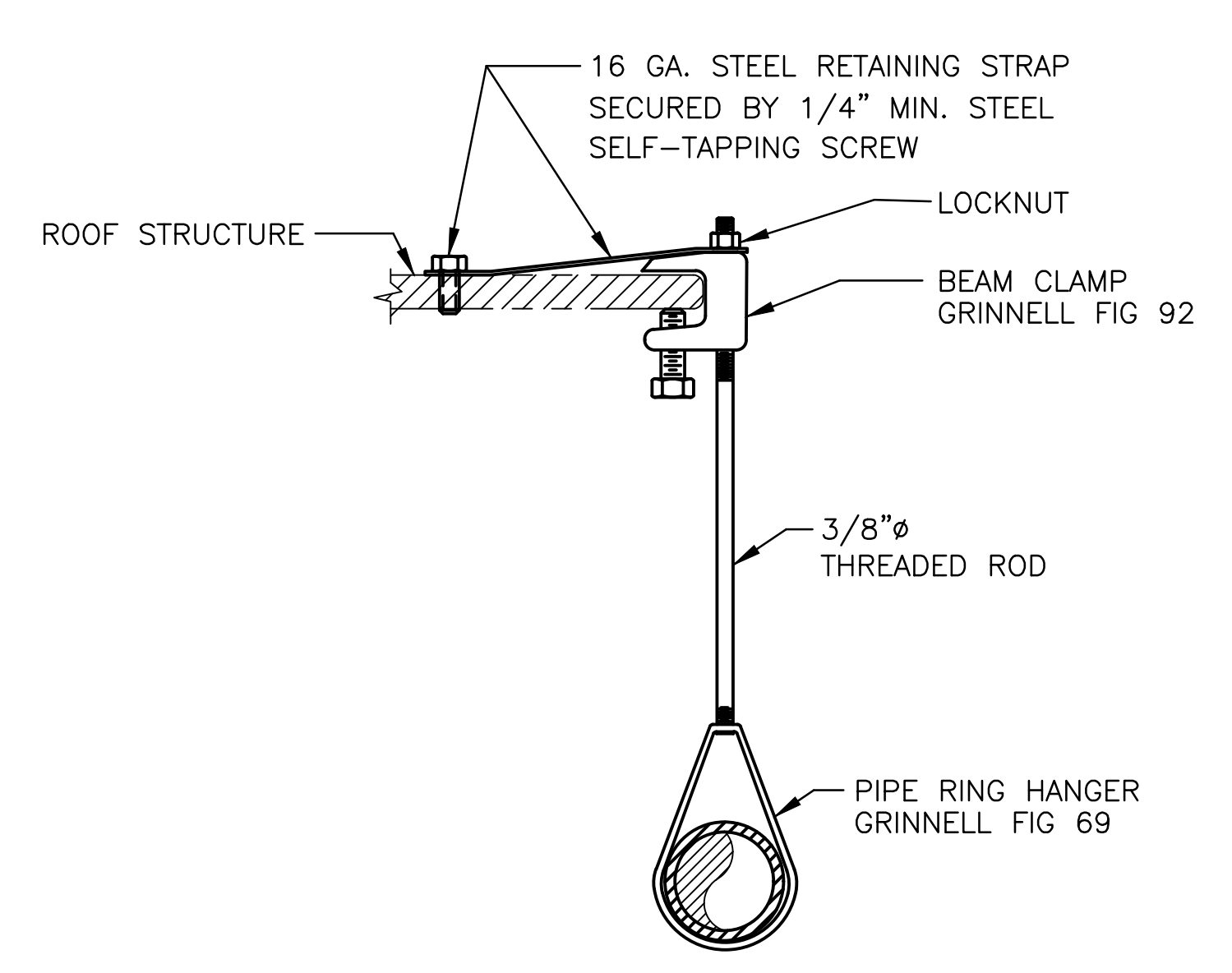


SECTION
C

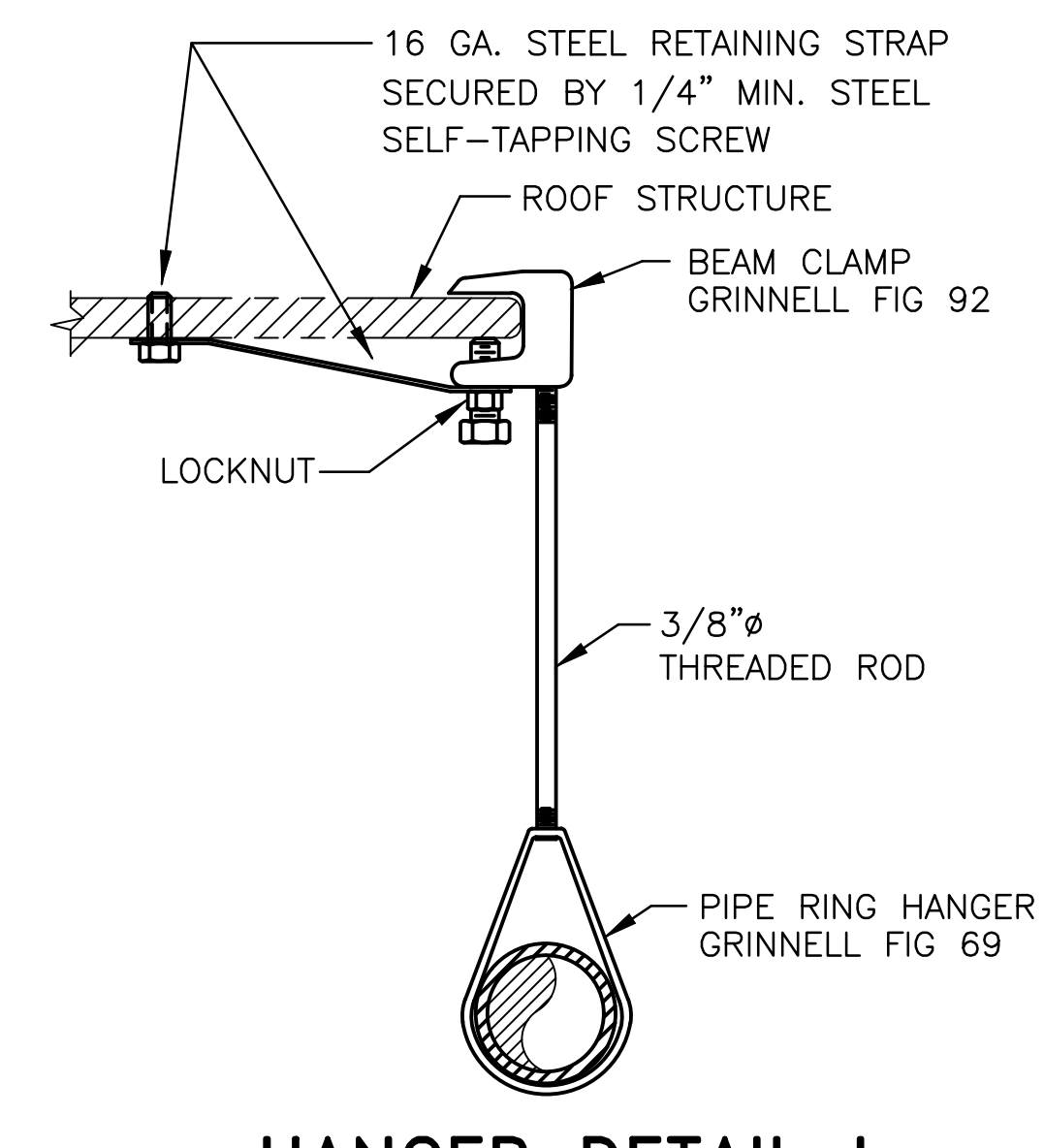


RETAINING STRAP DETAIL

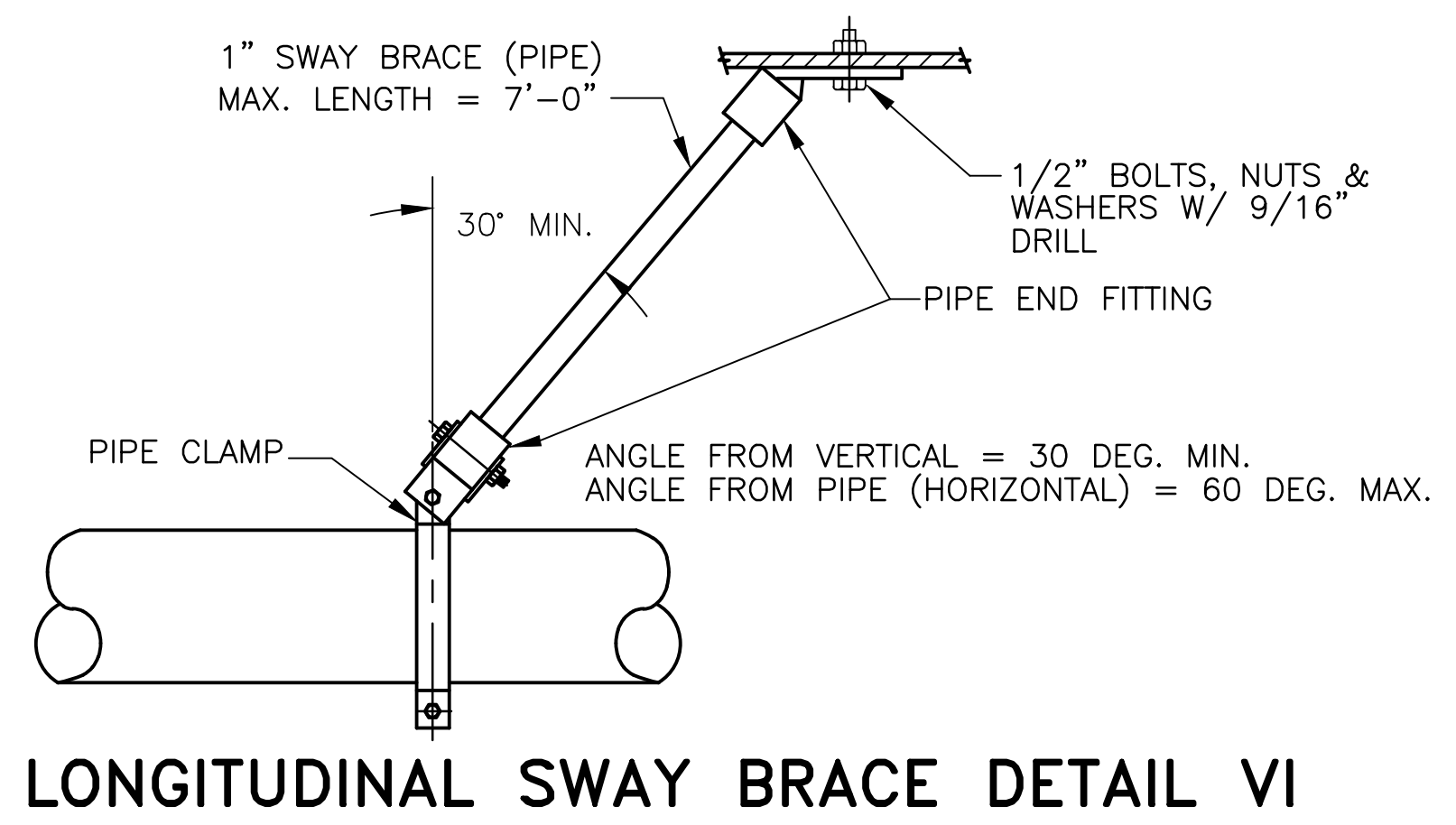
NOTE:
REFER TO HNF-18377, "CENTRAL WASTE COMPLEX FIRE SUPPRESSION SYSTEM DESIGN DESCRIPTION" FOR FIRE RISER ROOM HANFORD FIRE DEPARTMENT EQUIPMENT NAME AND EQUIPMENT LABEL DESIGNATION.



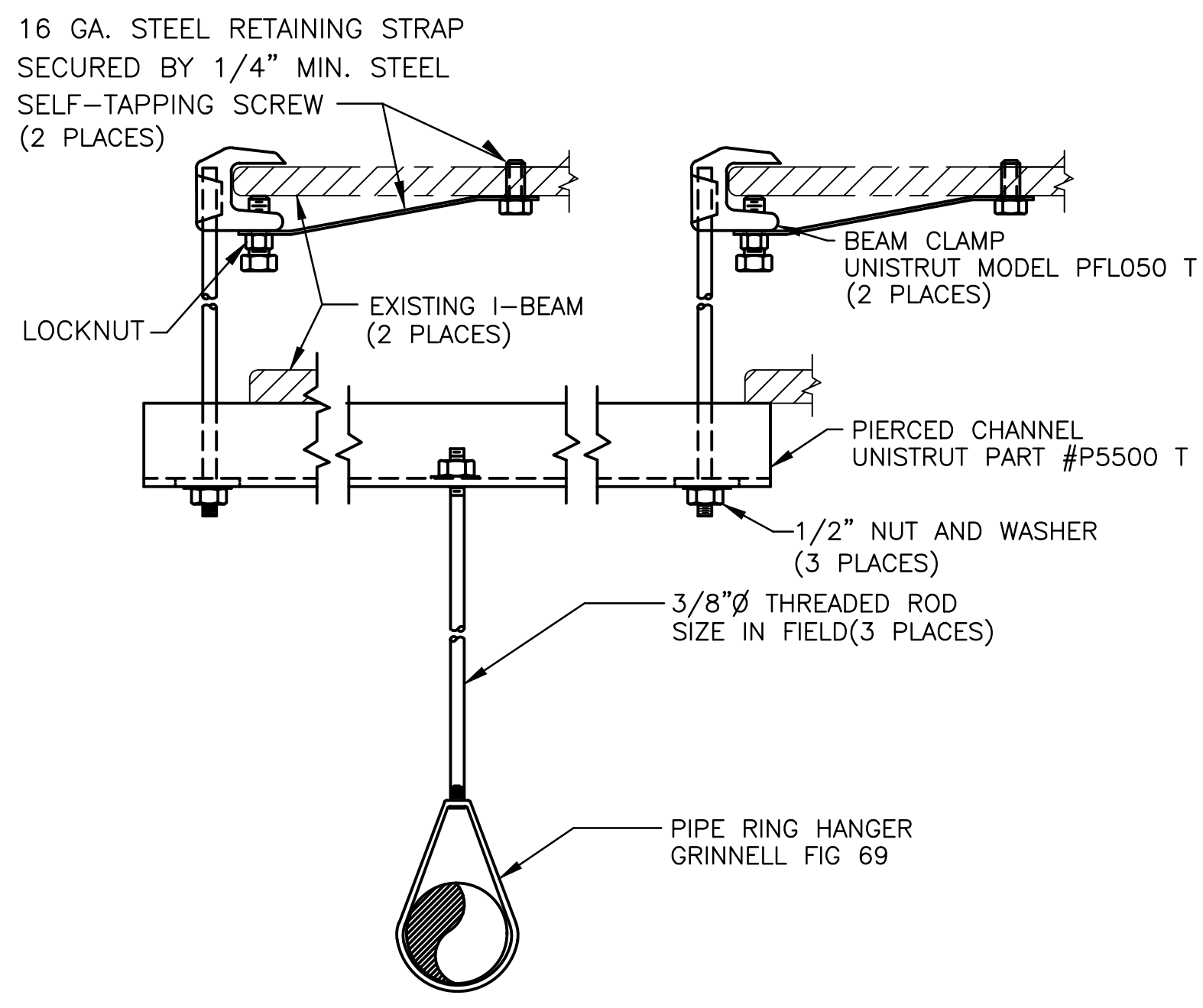
HANGER DETAIL I



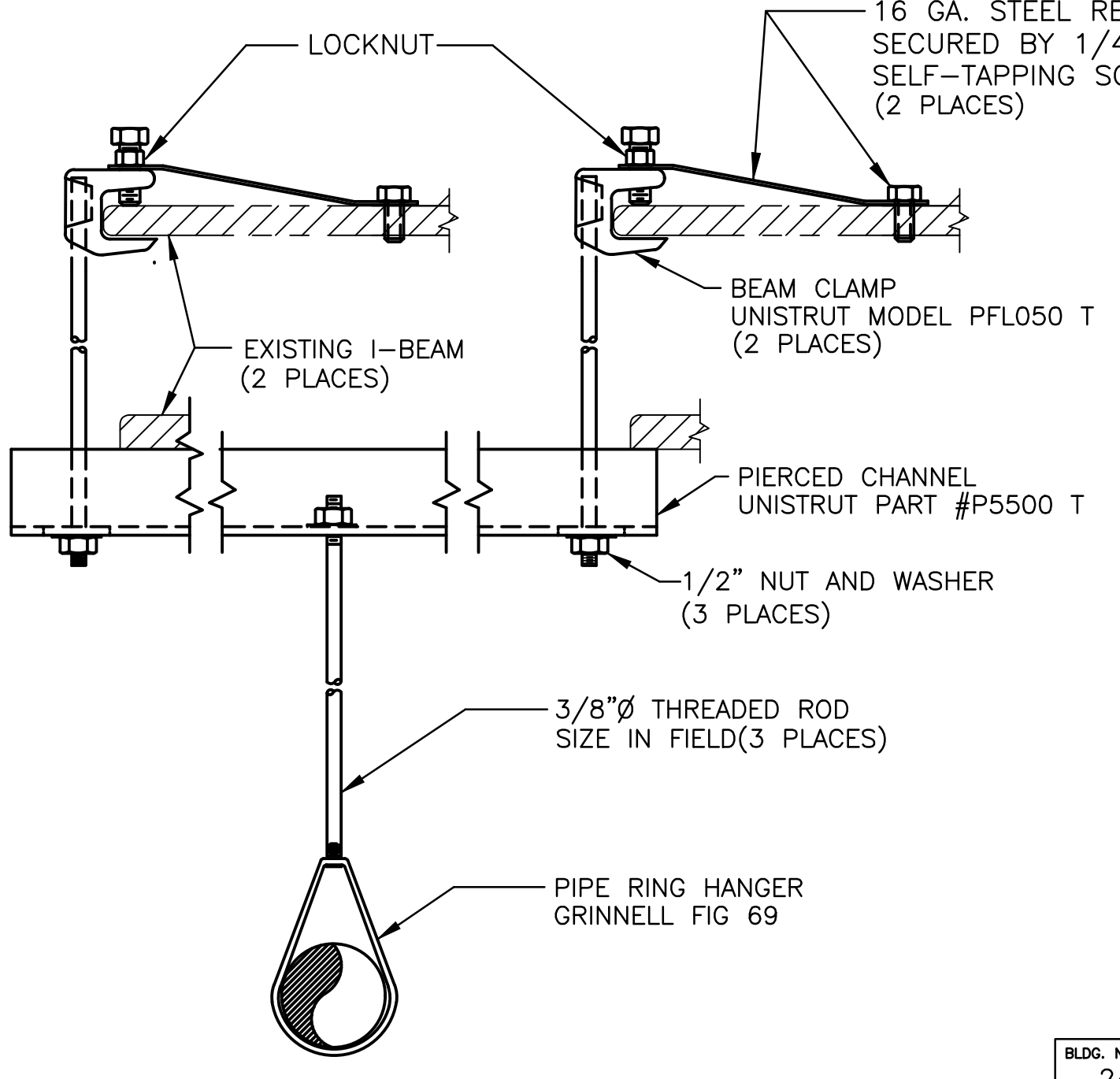
HANGER DETAIL I ALTERNATE OPTION



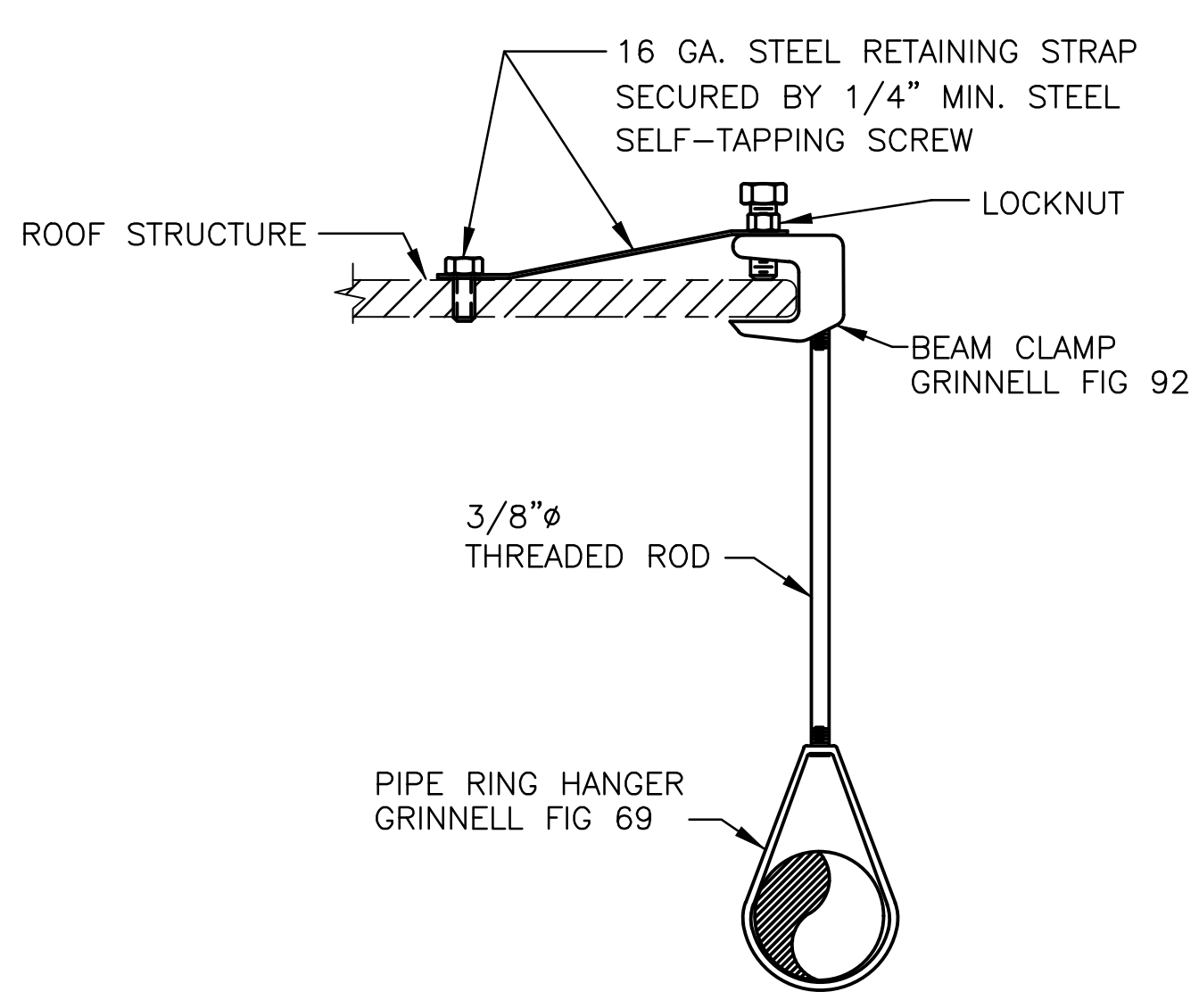
LONGITUDINAL SWAY BRACE DETAIL VI



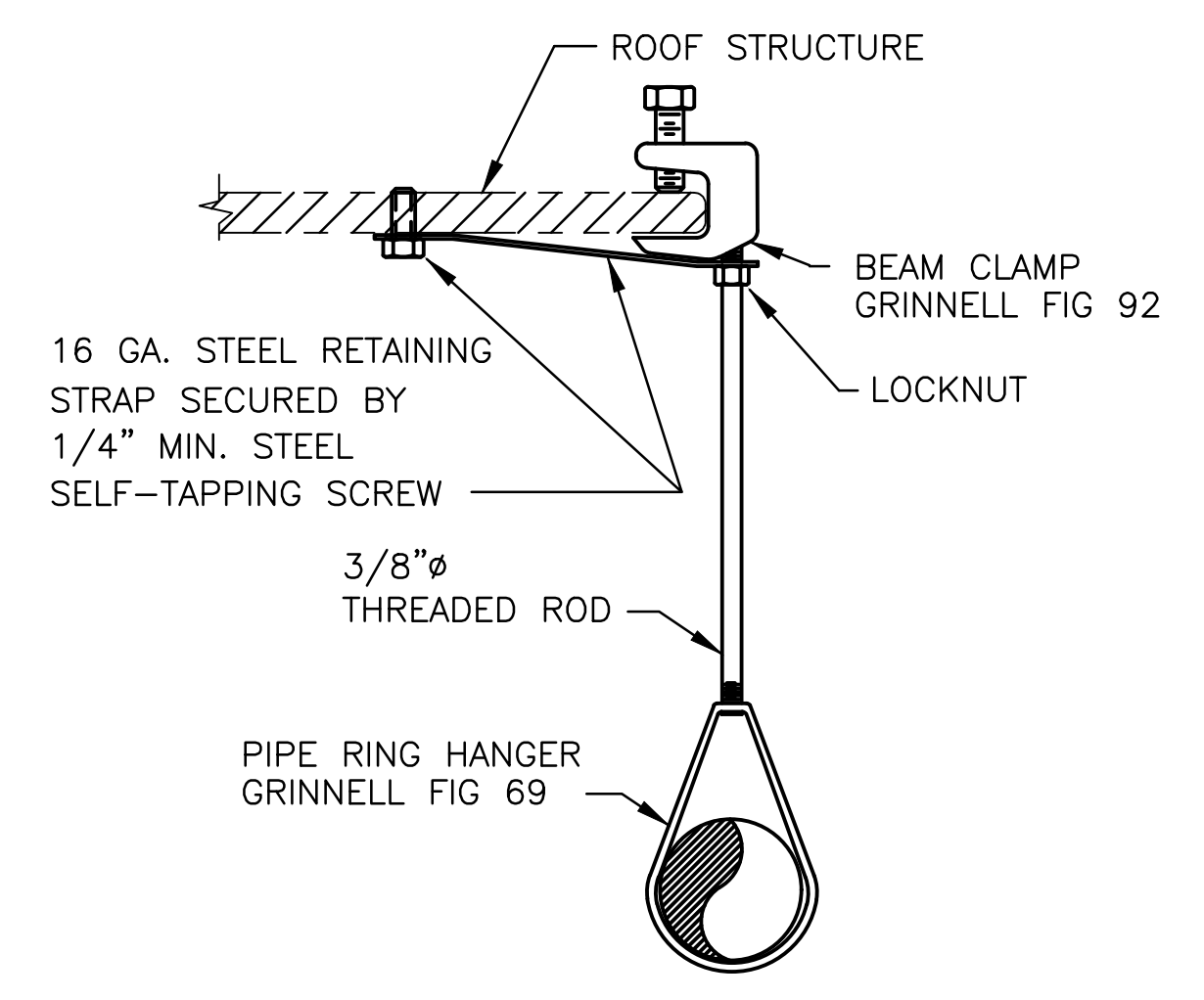
HANGER DETAIL II



HANGER DETAIL II ALTERNATE OPTION



HANGER DETAIL III



HANGER DETAIL III ALTERNATE OPTION

DATE:
Mar 02, 2021

BLDG. NO. 2402WJ	CAUTION NOT COMPLETE WITHOUT CURRENT CHANGE DOCUMENTS FROM DATABASE	ATTENTION DESTROY THIS DOCUMENT BY SHREDDING MAY CONTAIN SENSITIVE INFORMATION
INDEX NO. 8508	NAME H4519458-JS POGUE H8062991-AD MCLAIN H8062991-AD MCLAIN	U.S. DEPARTMENT OF ENERGY Richland Operations Office
	DATE 5/2/2001 5/2/2001 5/2/2001	FIRE PROTECTION SYSTEM DETAILS AND SECTIONS
	COMPANY CPCDC CPCDC CPCDC	DRAWING NUMBER H-2-821889
	DESIGN AUTHORITY CPCDC	SHEET 2
		REV 6
		SCALE NONE

DWG NUMBER	TITLE	REF NUMBER	TITLE	REV NO.	DESCRIPTION
		6	RELEASED PER ECR-20-000253		
DRAWING TRACEABILITY LIST			REFERENCES		
NEXT USED ON SHEET 1			REVISIONS		