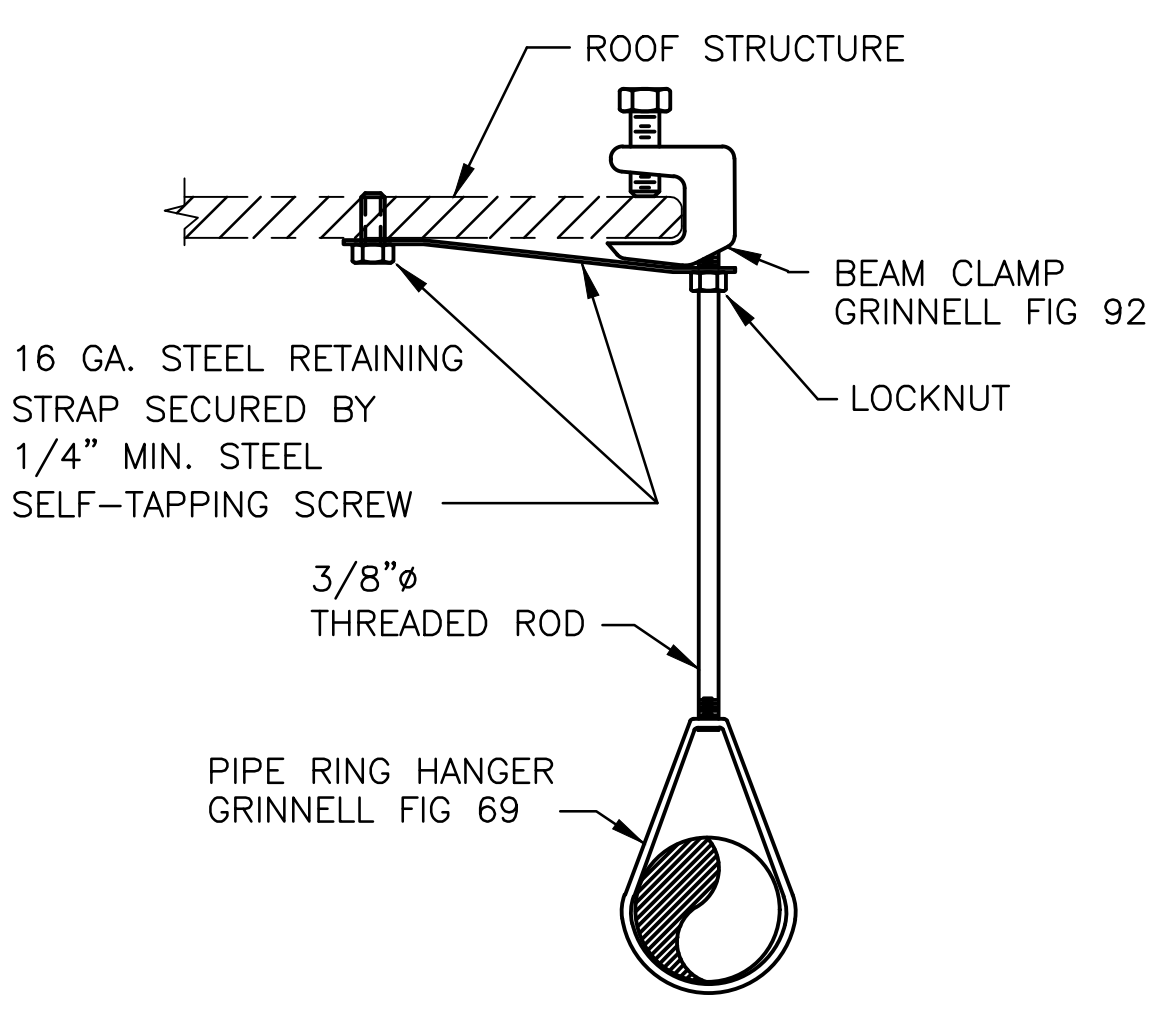
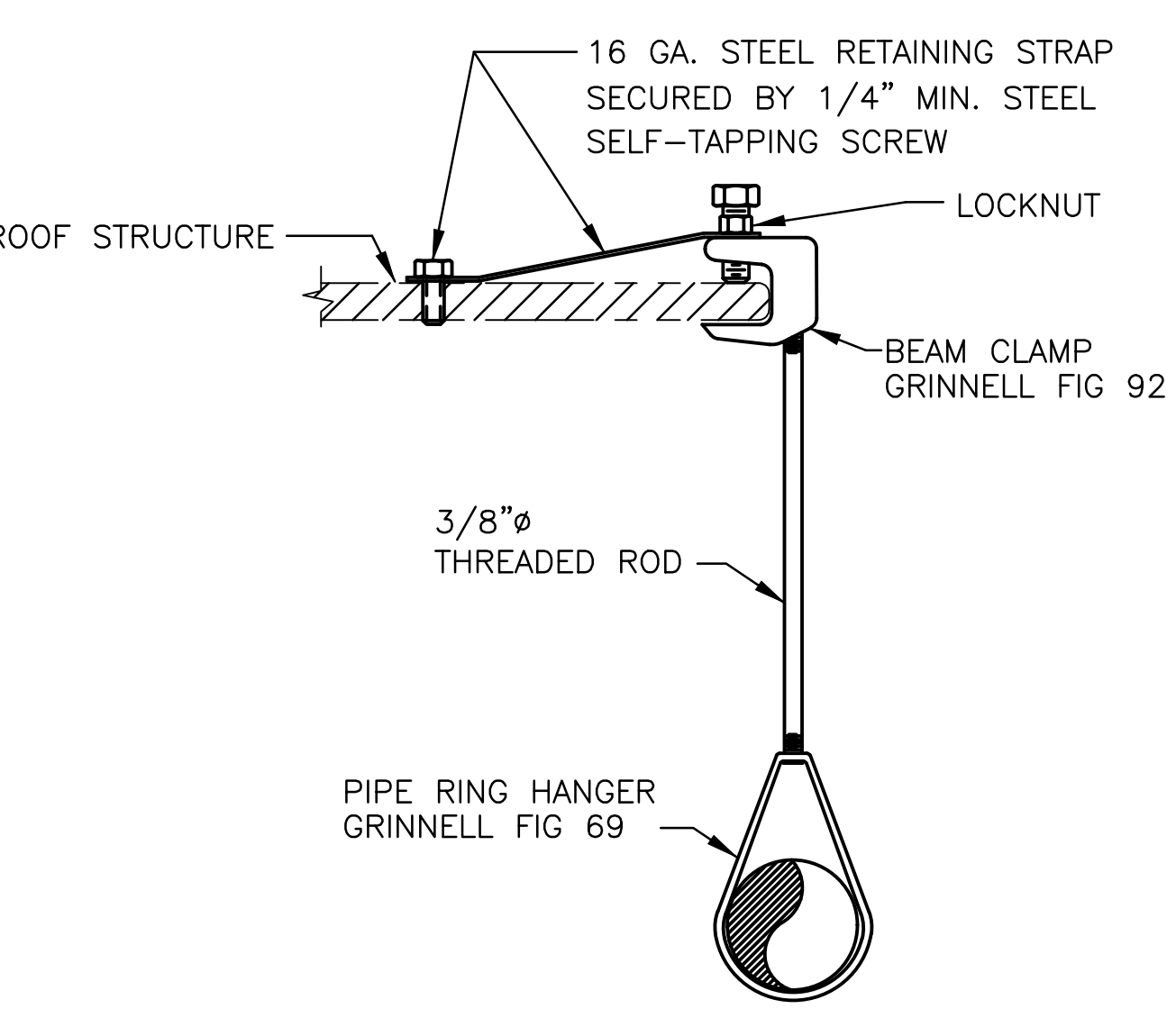
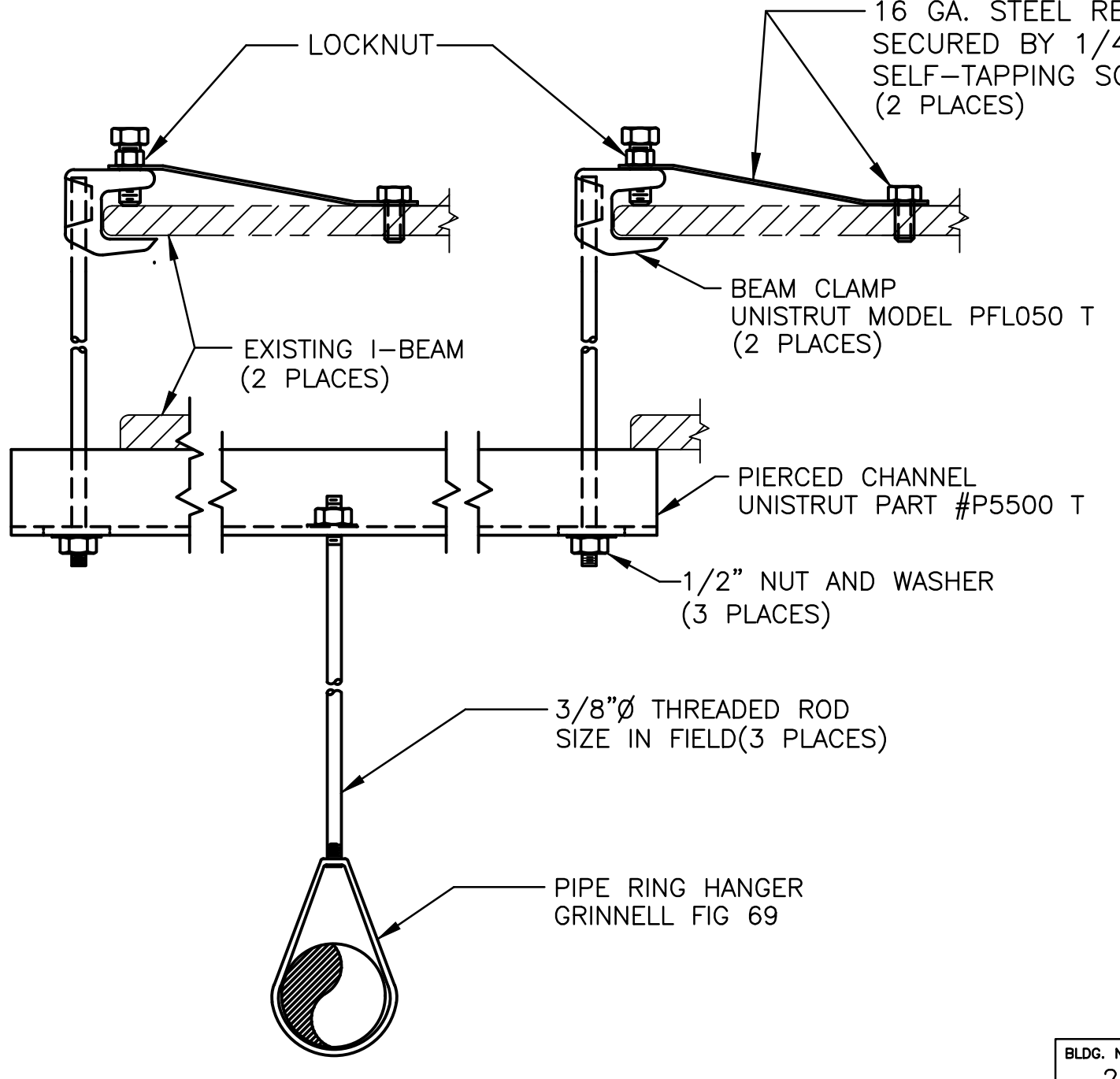
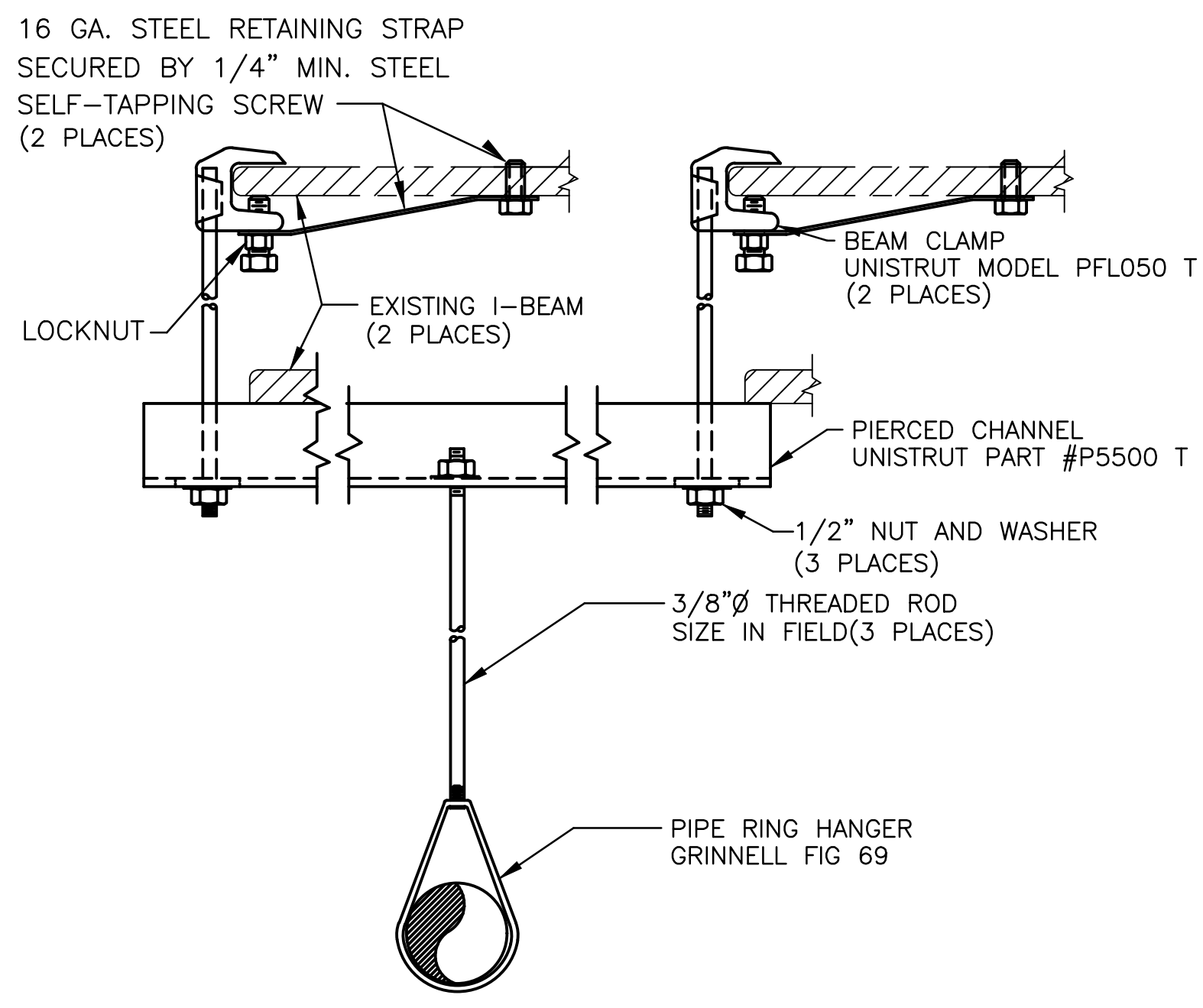
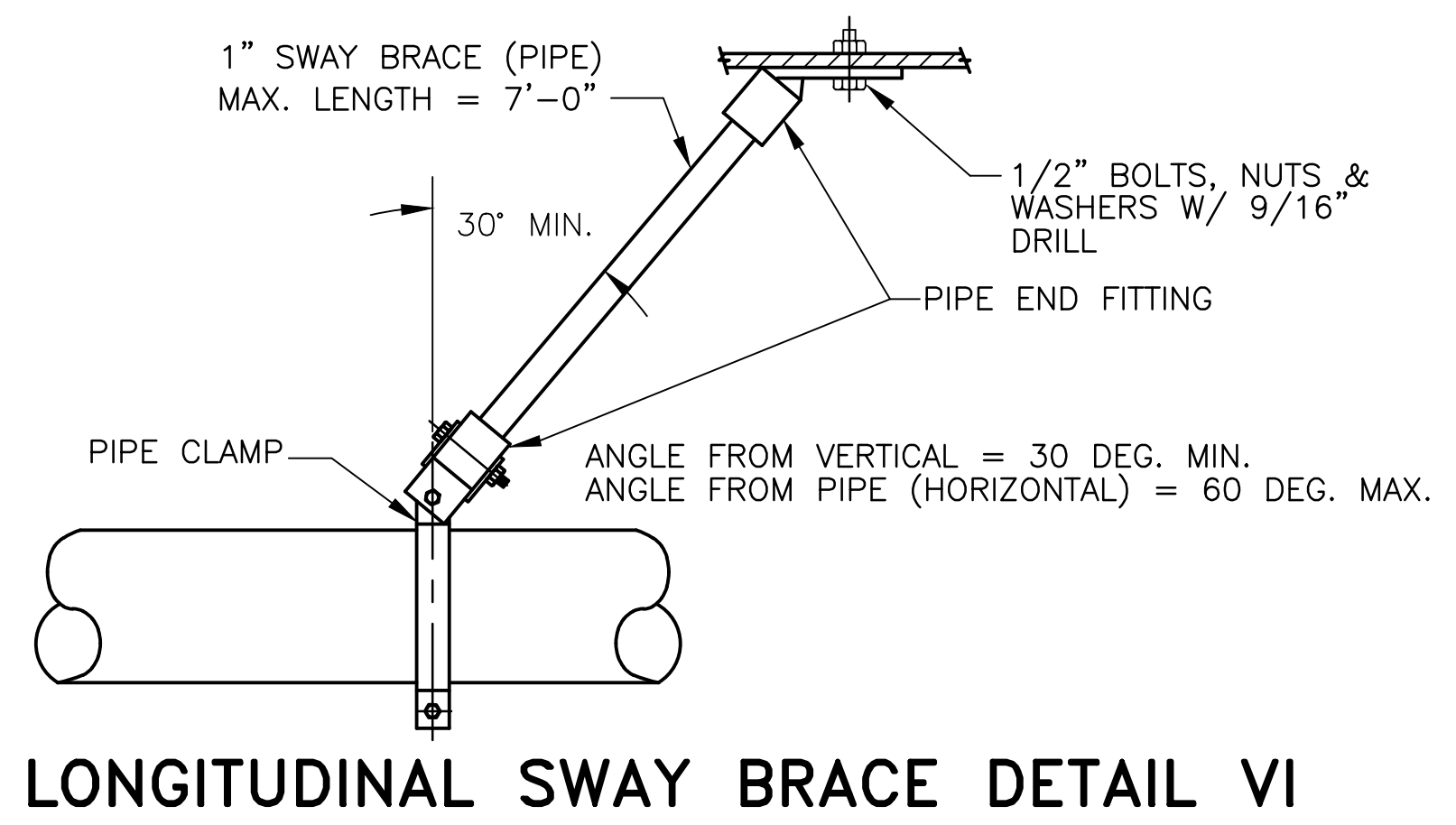
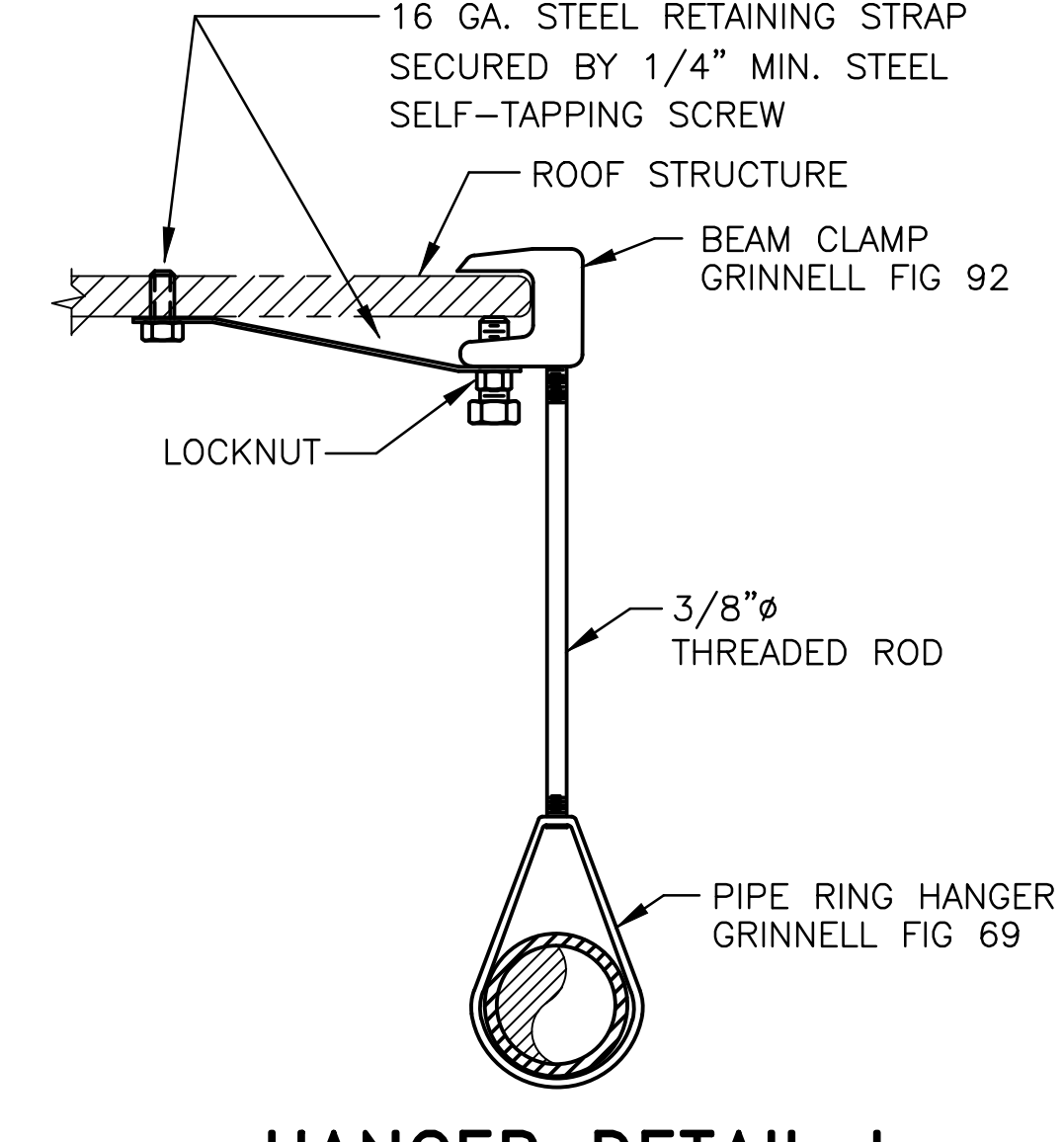
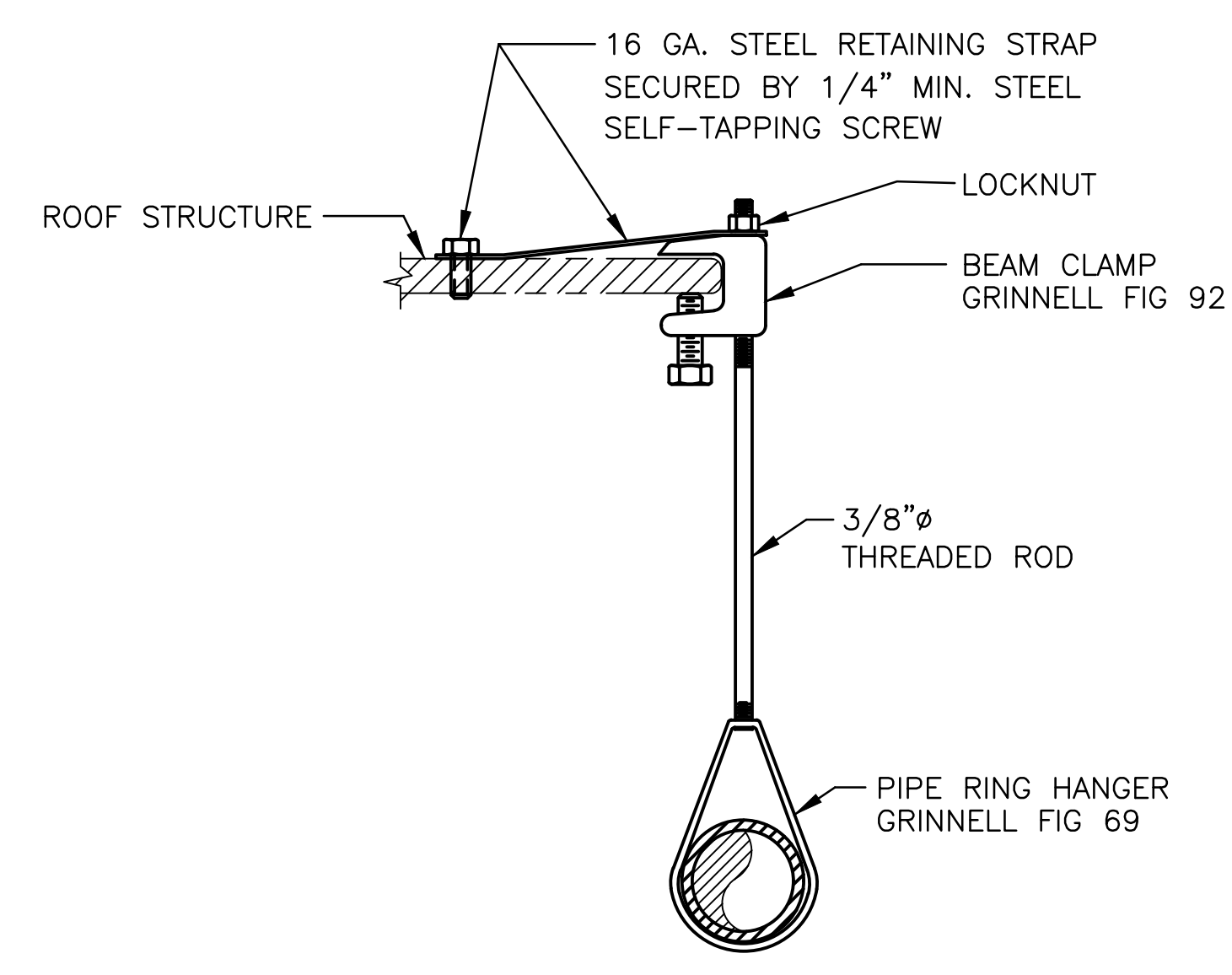


**RETAINING STRAP DETAIL**

NOTE: REFER TO HNF-18377, "CENTRAL WASTE COMPLEX FIRE SUPPRESSION SYSTEM DESIGN DESCRIPTION" FOR FIRE RISER ROOM HANFORD DEPARTMENT EQUIPMENT NAME AND EQUIPMENT LABEL DESIGNATION.

DATE: Mar 02, 2021  
HANFORD RELEASE



**HANGER DETAIL III**

**HANGER DETAIL III ALTERNATE OPTION**

DWG NUMBER	TITLE	REF NUMBER	TITLE	REV NO.	DESCRIPTION
		7	RELEASED PER ECR-20-000253		
DRAWING TRACEABILITY LIST			REFERENCES		
NEXT USED ON SHEET 1			REVISIONS		

BLDG. NO. 2402WI	CAUTION NOT COMPLETE WITHOUT CURRENT CHANGE DOCUMENTS FROM DATABASE	ATTENTION DESTROY THIS DOCUMENT BY SHREDDING MAY CONTAIN SENSITIVE INFORMATION
DATE: 5/2/2021	NAME: H4519458-JS POGUE	U.S. DEPARTMENT OF ENERGY Richland Operations Office
DATE: 5/2/2021	DESIGN AUTHORITY: H8062991-AD MCLAIN	<b>FIRE PROTECTION SYSTEM DETAILS AND SECTIONS</b>
INDEX NO. 8508	SCALE: NONE	DRAWING NUMBER: H-2-821888 SHEET: 2 REV: 7