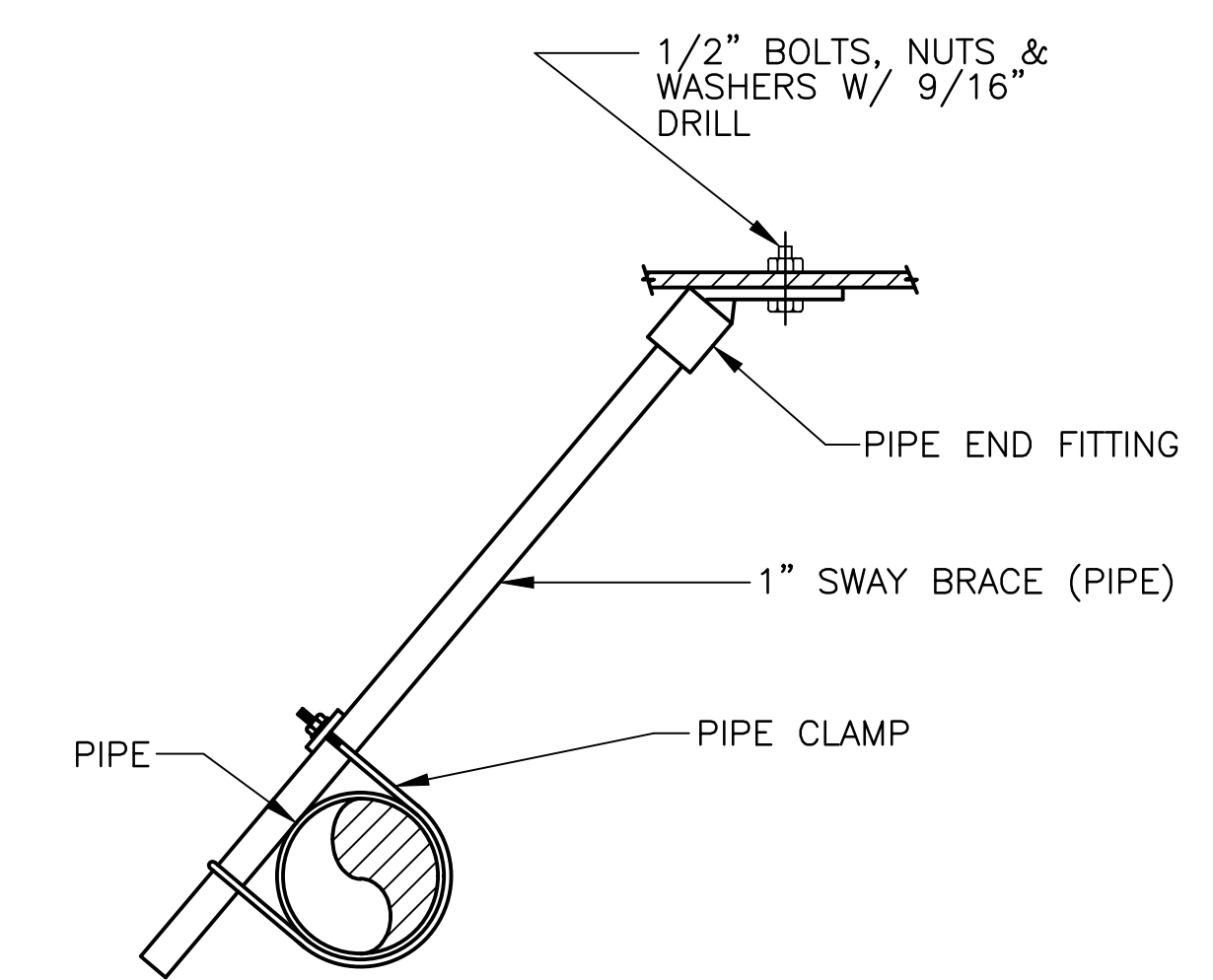
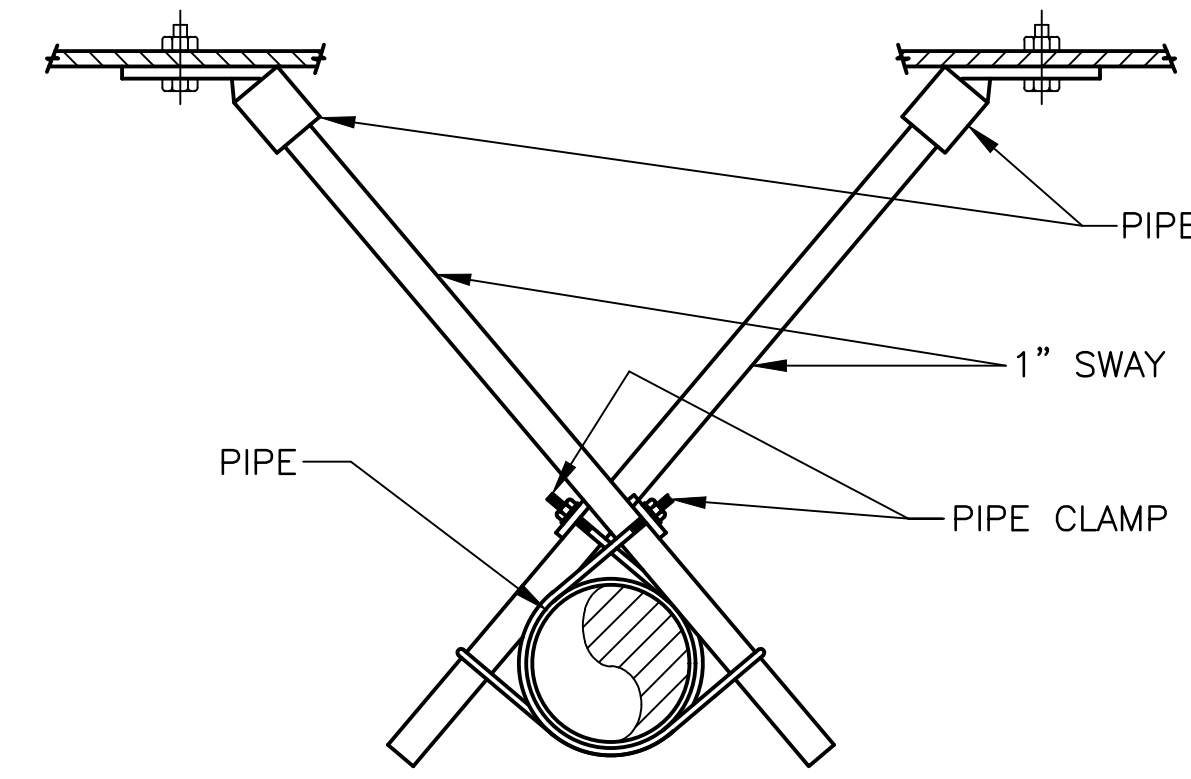


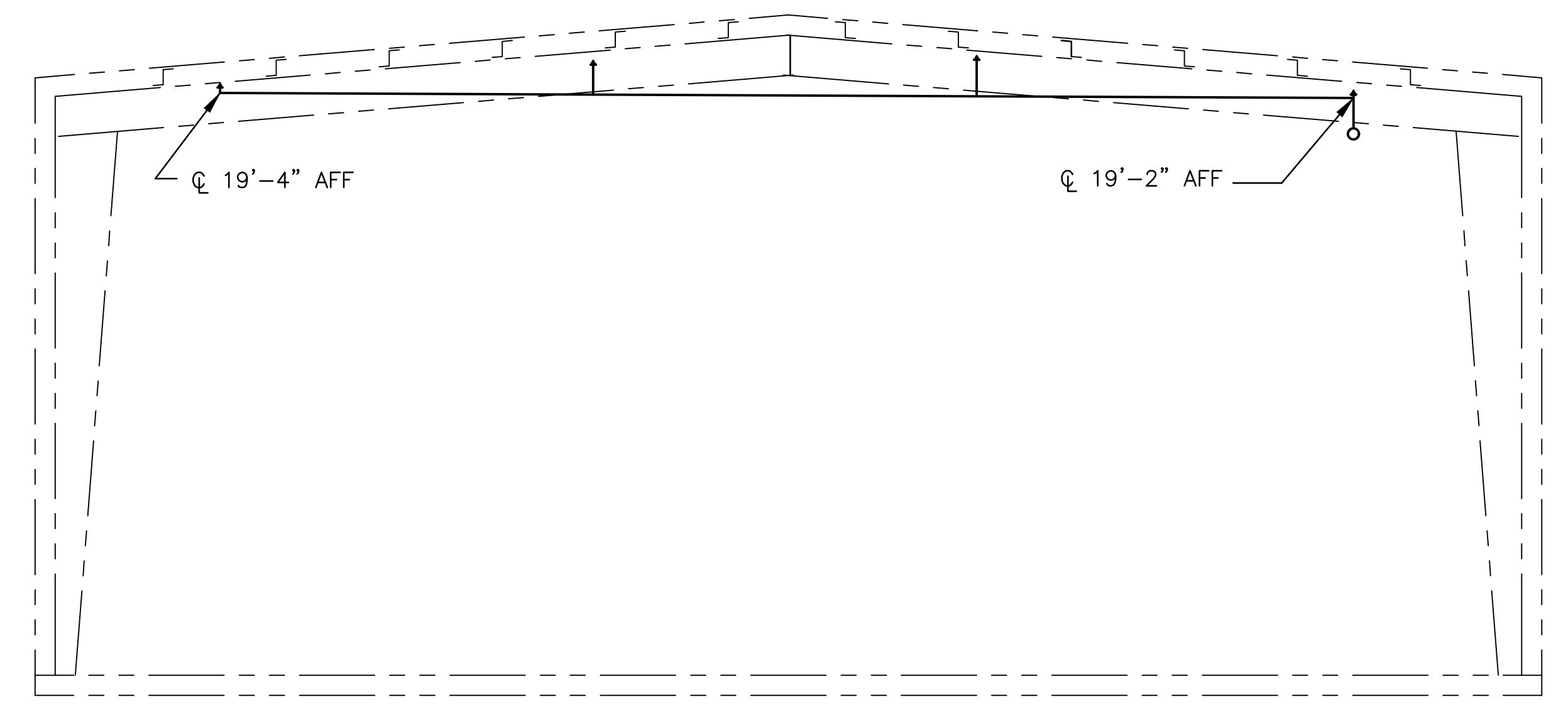
SECTION
B SH-1



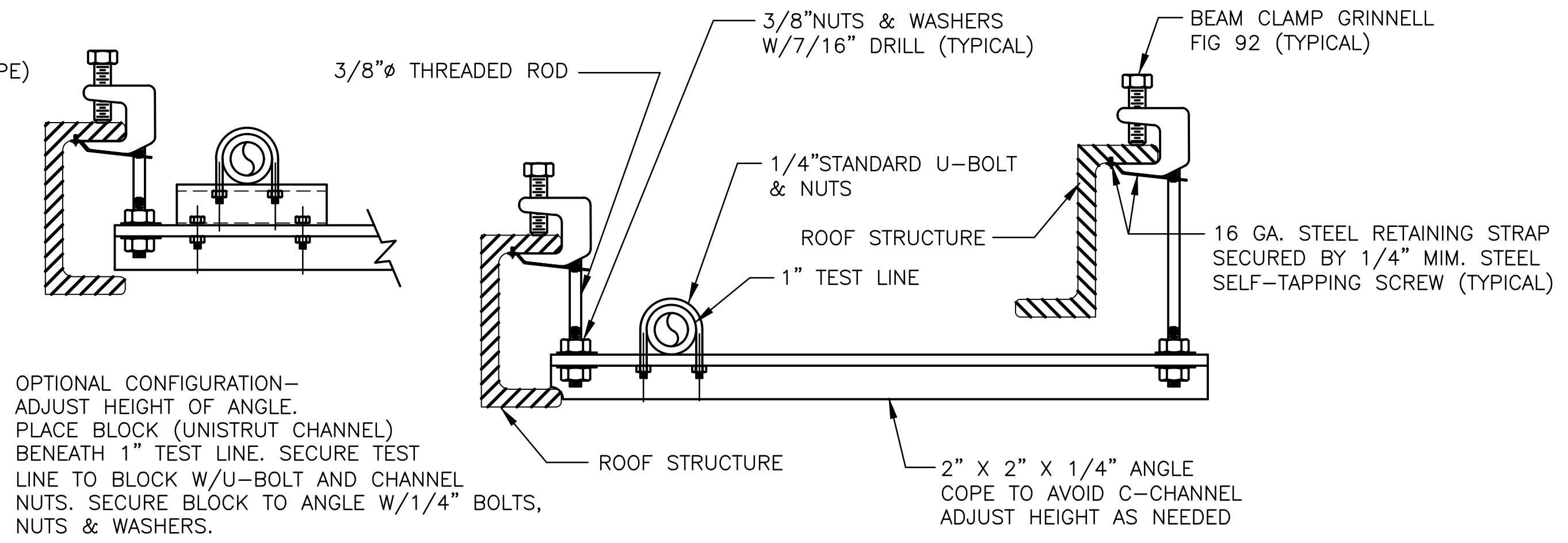
LATERAL SWAY BRACE DETAIL IV
(TYPICAL 2-WAY SWAY BRACE DETAIL)



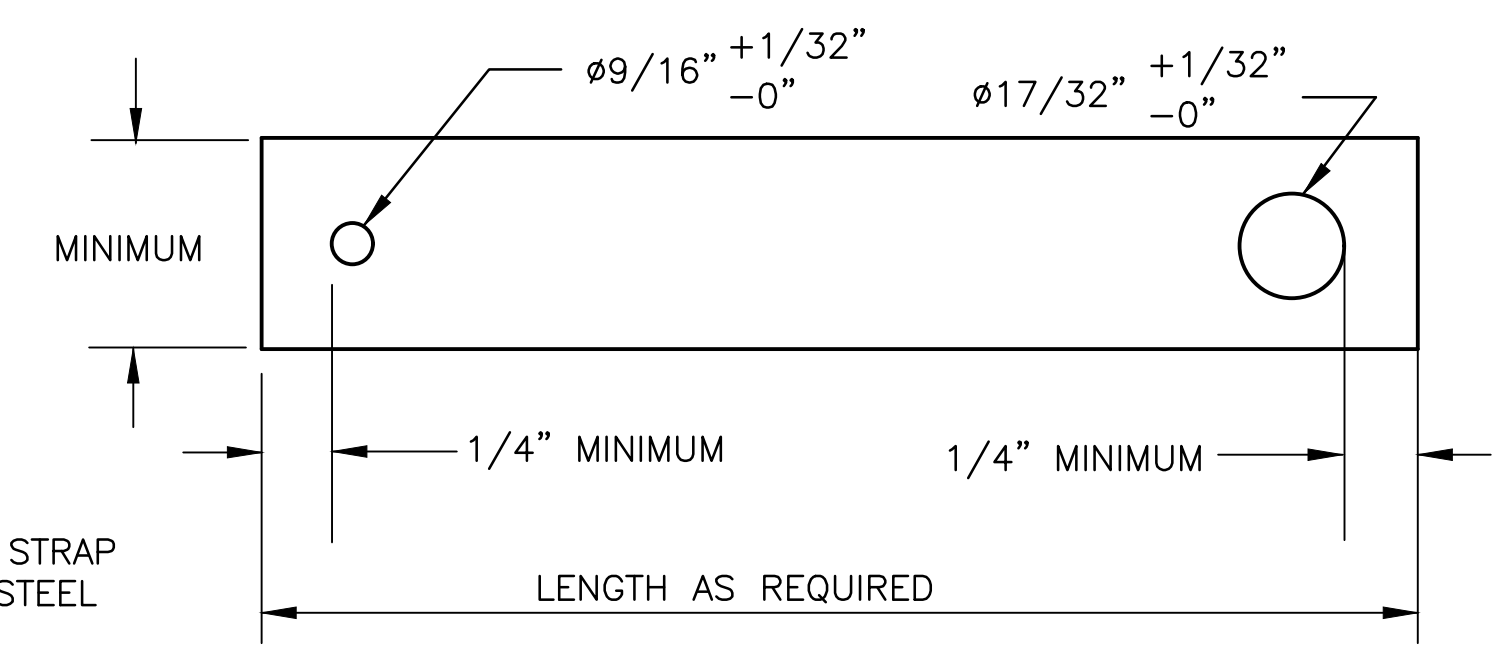
SWAY BRACE DETAIL V
(TYPICAL 4-WAY SWAY BRACE DETAIL)



SECTION
A SH-1



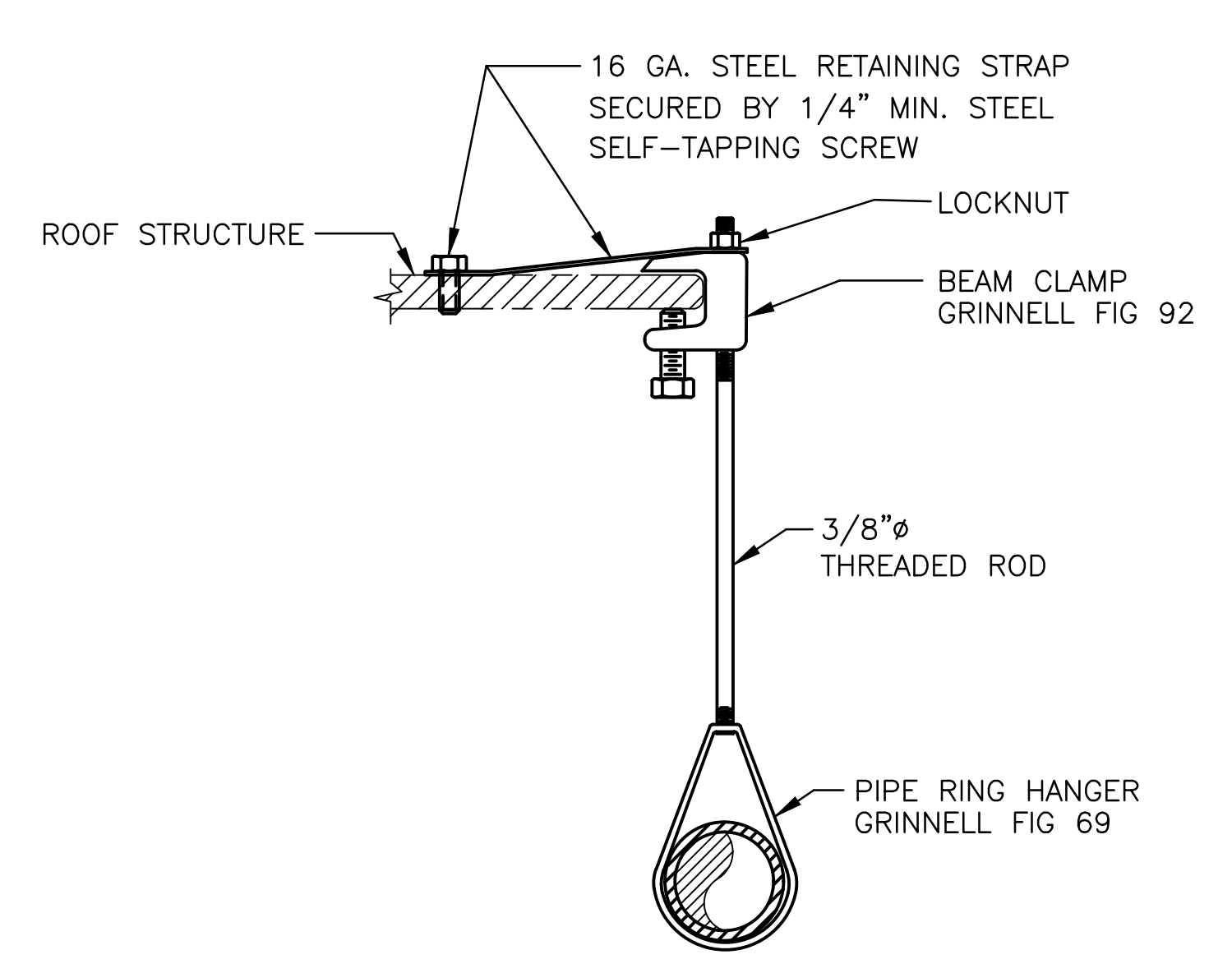
SECTION
C



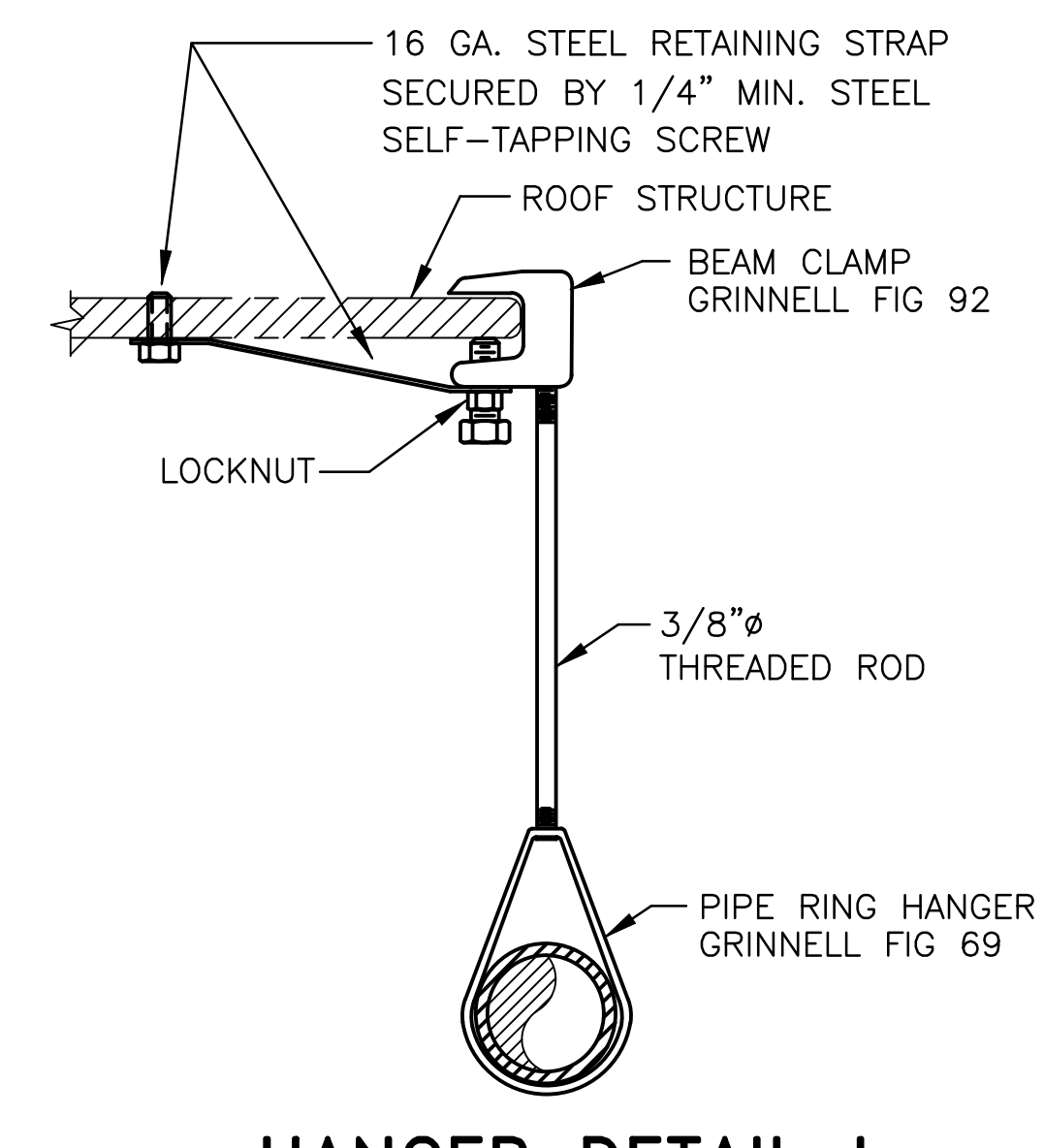
RETAINING STRAP DETAIL

NOTE: REFER TO HNF-18377, "CENTRAL WASTE COMPLEX FIRE SUPPRESSION SYSTEM DESIGN DESCRIPTION" FOR FIRE RISER ROOM HANFORD FIRE DEPARTMENT EQUIPMENT NAME AND EQUIPMENT LABEL DESIGNATION.

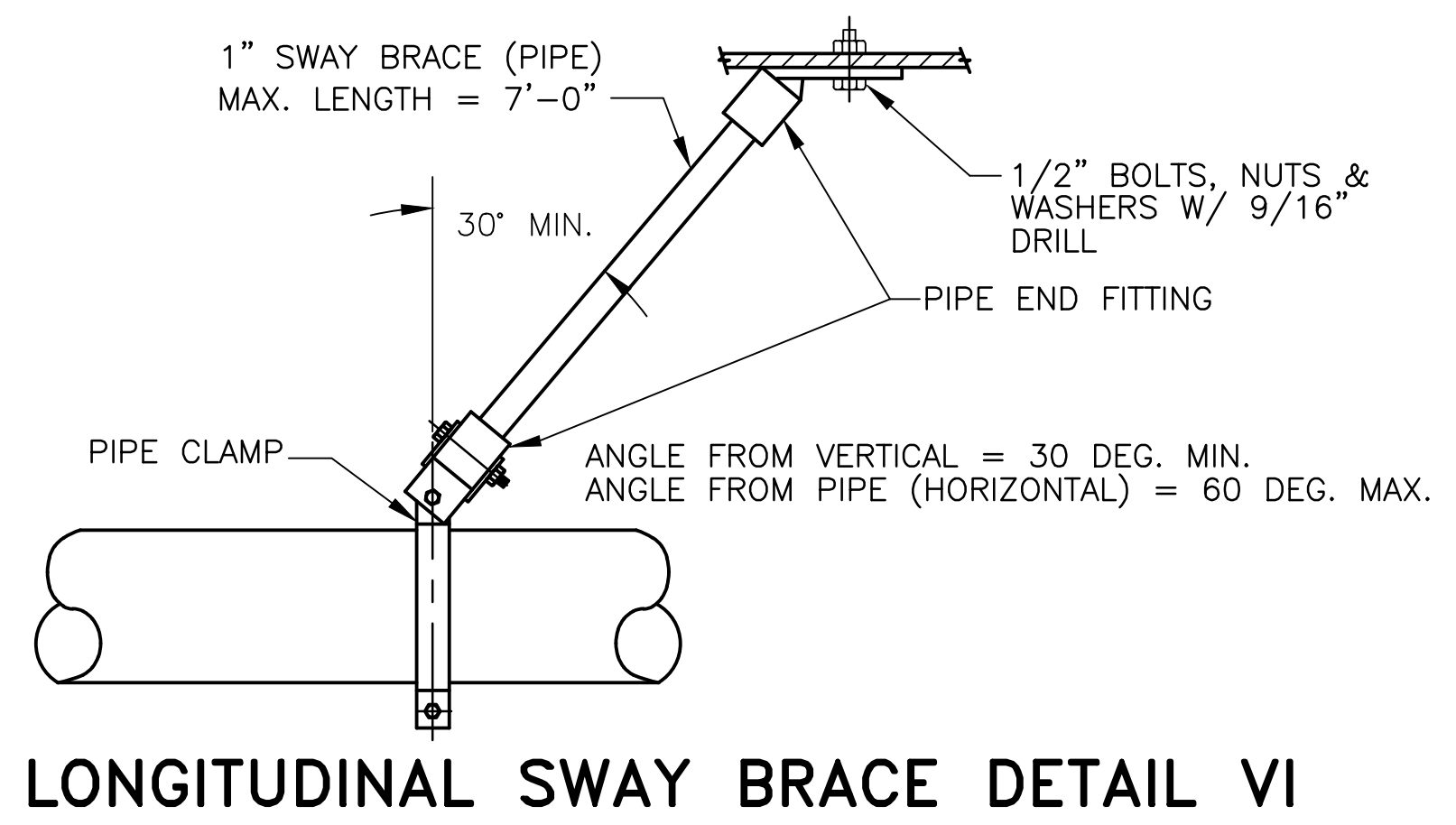
DATE: Mar 02, 2021
HANFORD RELEASE



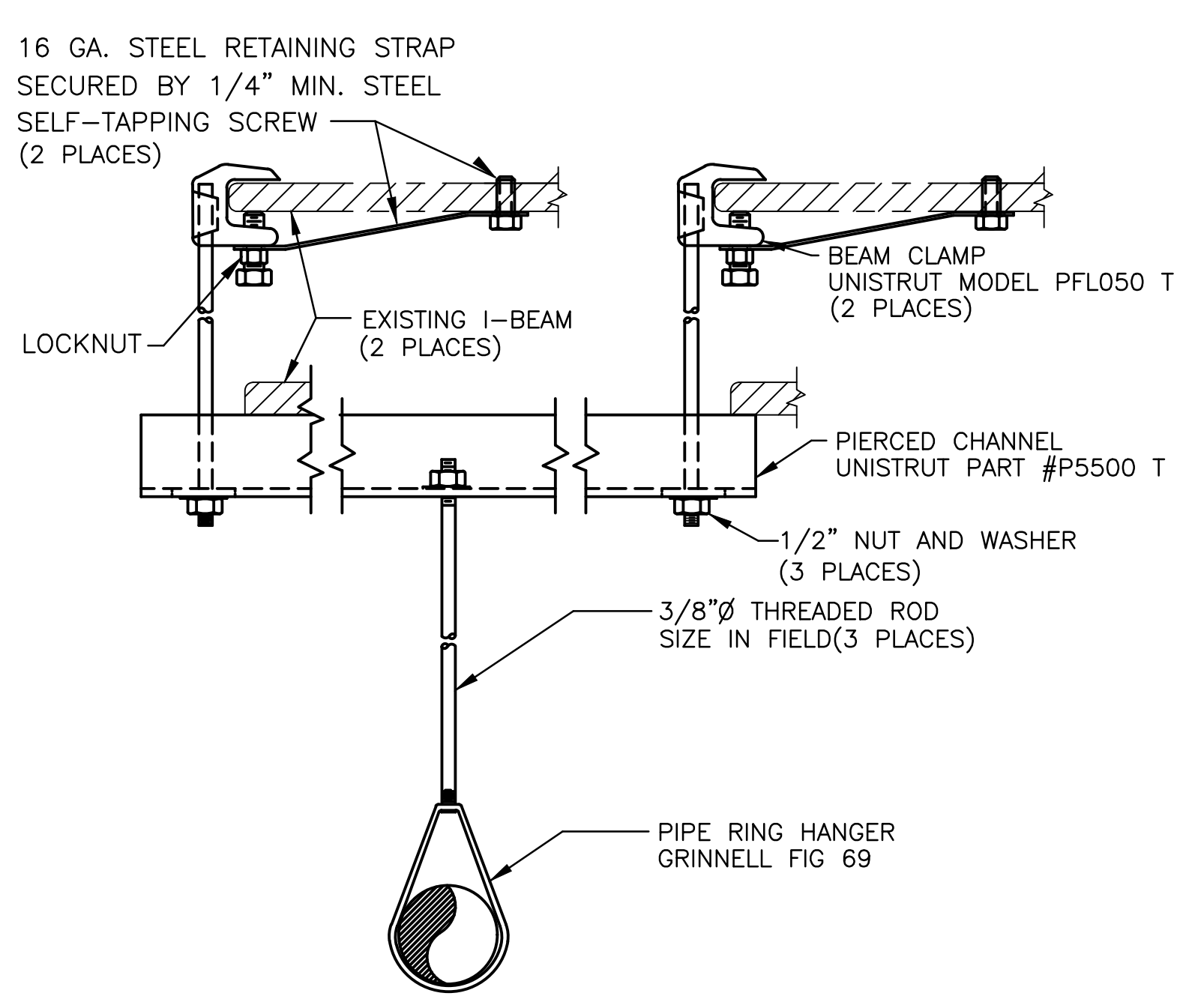
HANGER DETAIL I



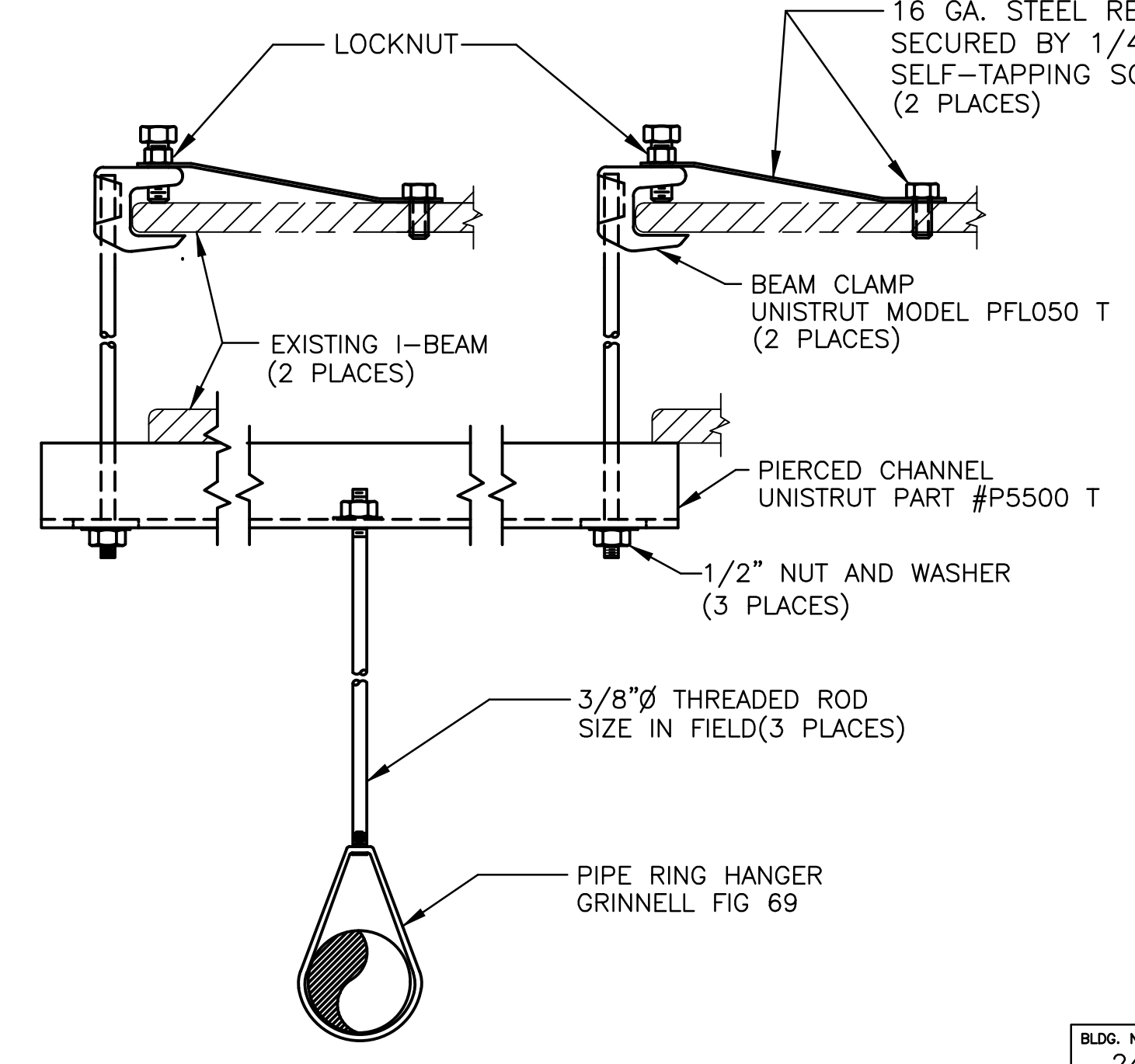
HANGER DETAIL I ALTERNATE OPTION



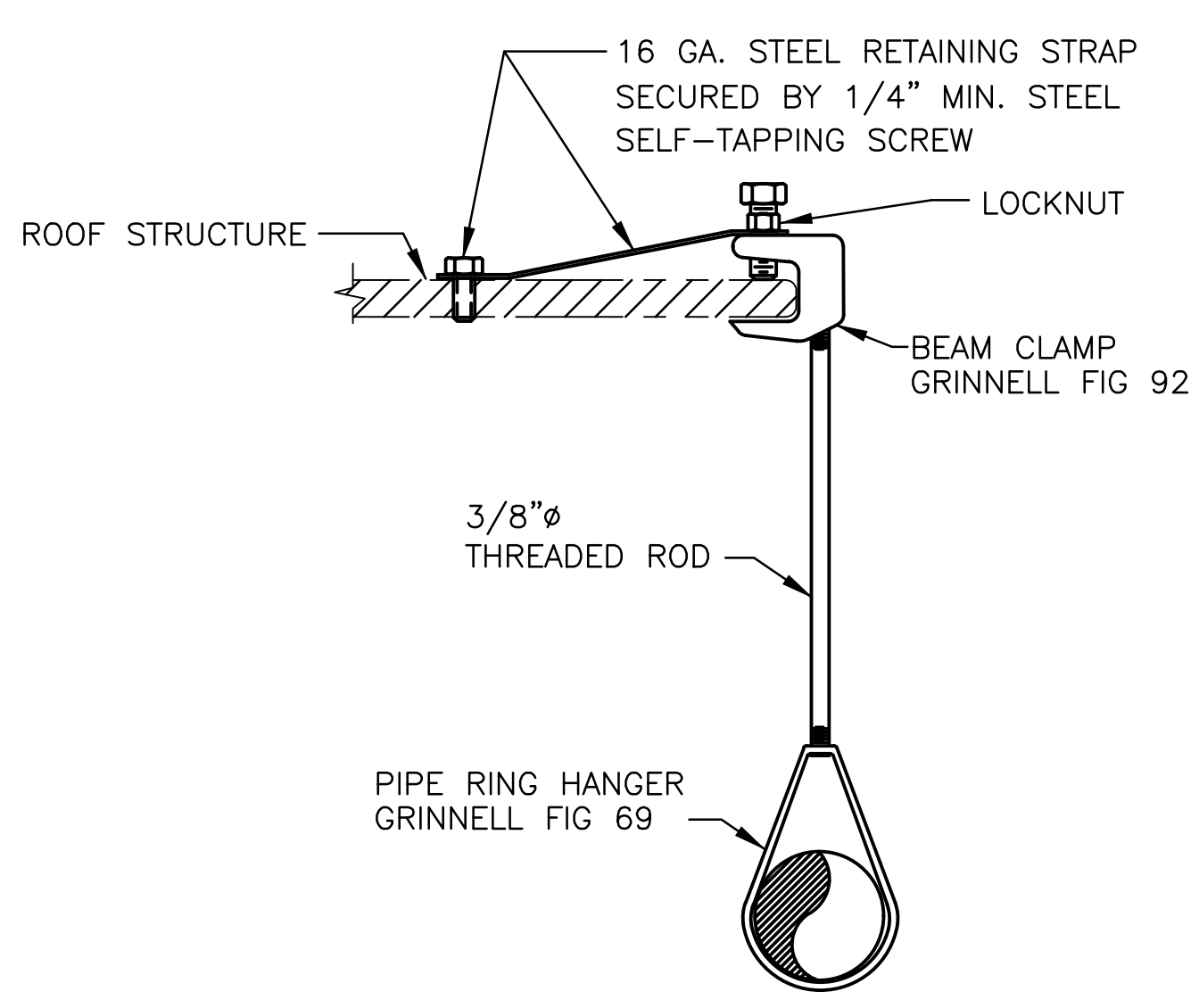
LONGITUDINAL SWAY BRACE DETAIL VI



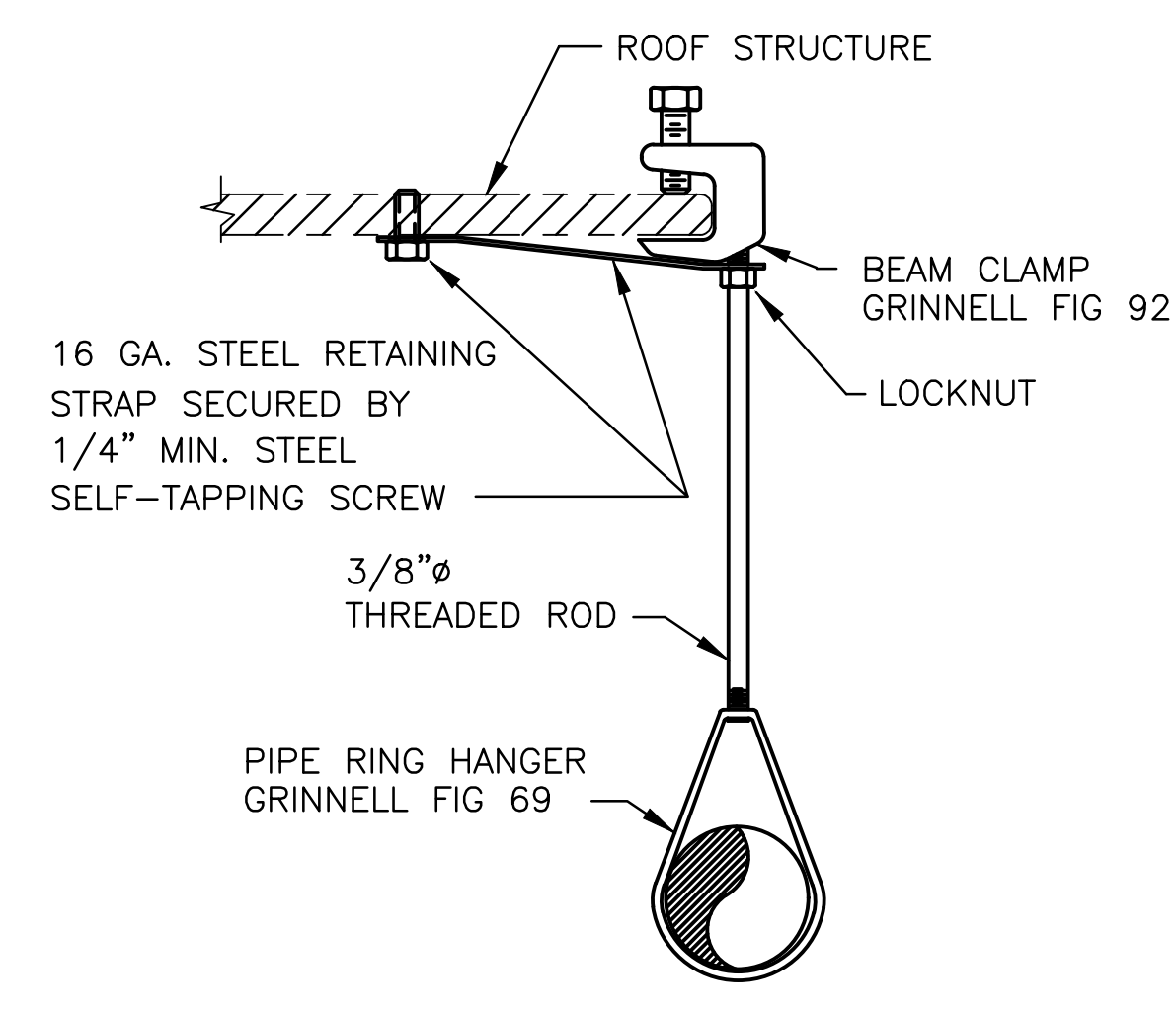
HANGER DETAIL II



HANGER DETAIL II ALTERNATE OPTION



HANGER DETAIL III



HANGER DETAIL III ALTERNATE OPTION

DWG NUMBER	TITLE	REF NUMBER	TITLE	REV NO.	DESCRIPTION
		6	RELEASED PER ECR-20-000253		
DRAWING TRACEABILITY LIST			REFERENCES		
NEXT USED ON SHEET 1			REVISIONS		

BLDG. NO. 2402WH	CAUTION NOT COMPLETE WITHOUT CURRENT CHANGE DOCUMENTS FROM DATABASE	ATTENTION DESTROY THIS DOCUMENT BY SHREDDING MAY CONTAIN SENSITIVE INFORMATION
INDEX NO. 8508	U.S. DEPARTMENT OF ENERGY Richland Operations Office	FIRE PROTECTION SYSTEM DETAILS AND SECTIONS
	DRAWING NUMBER H-2-821887	SHEET 2
	SCALE NONE	REV 6