

8

7

6

5

4

3

2

1

F

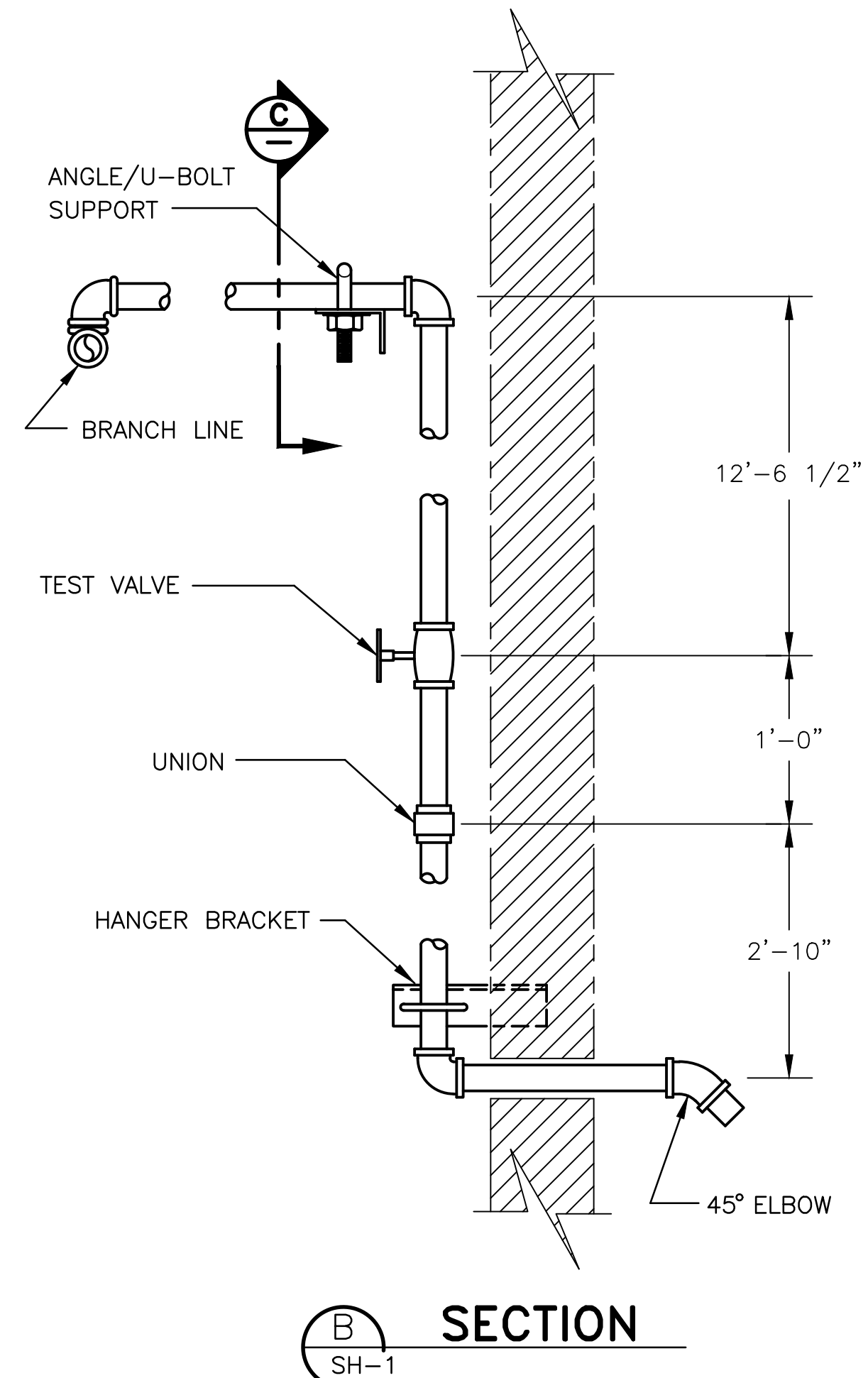
E

D

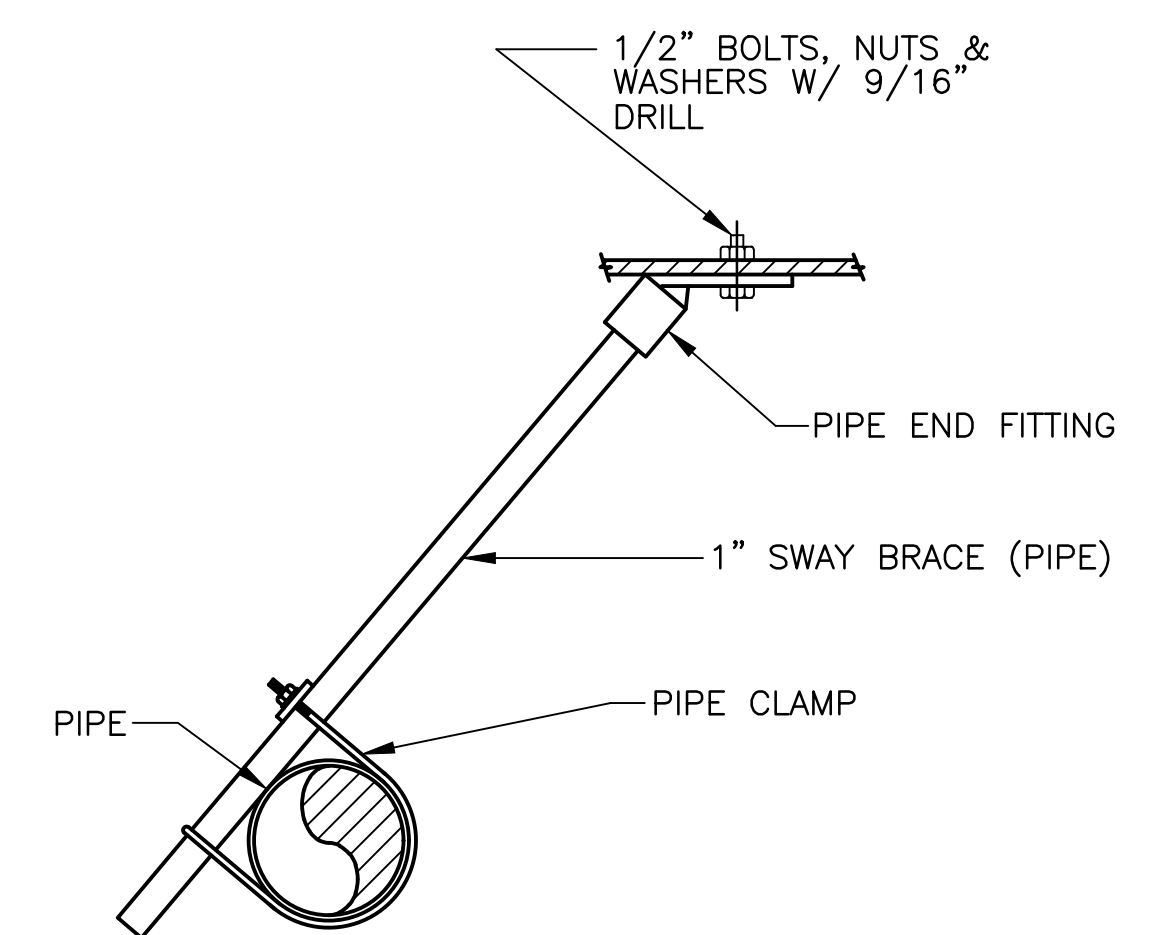
C

B

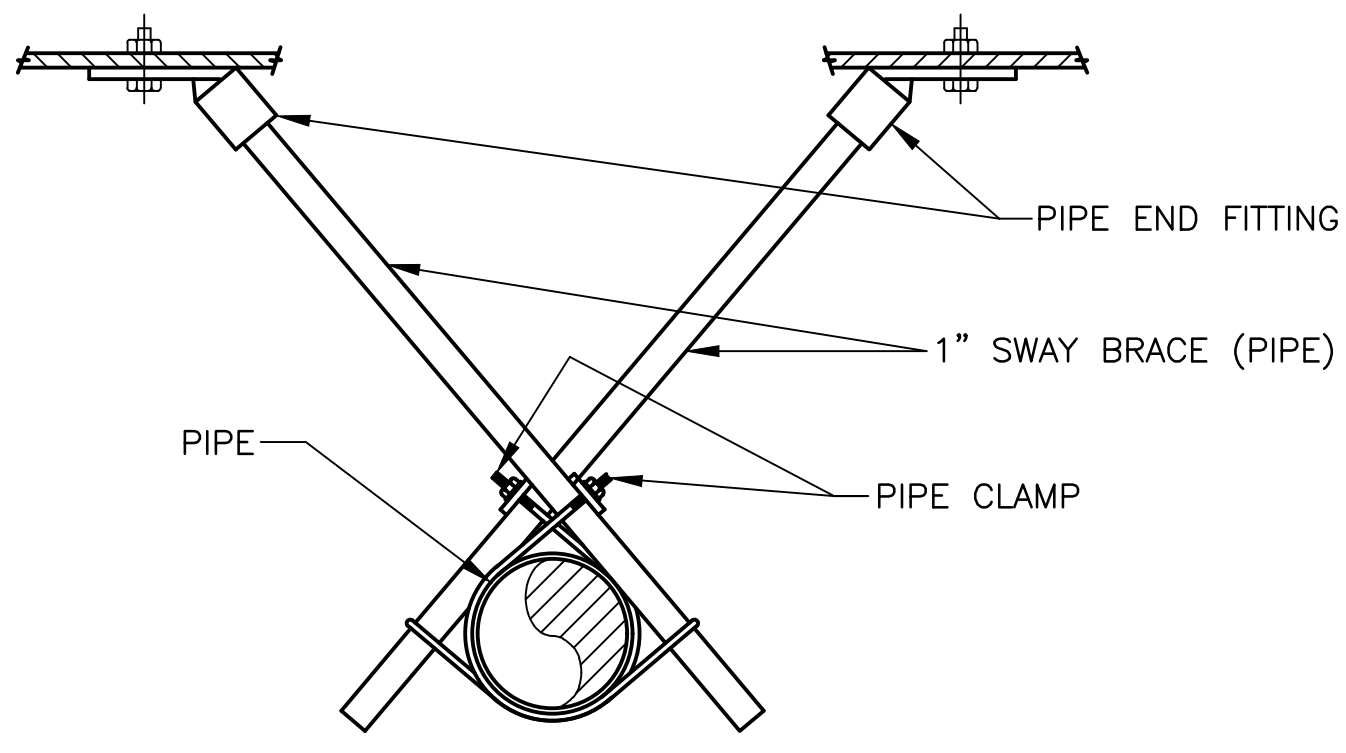
A



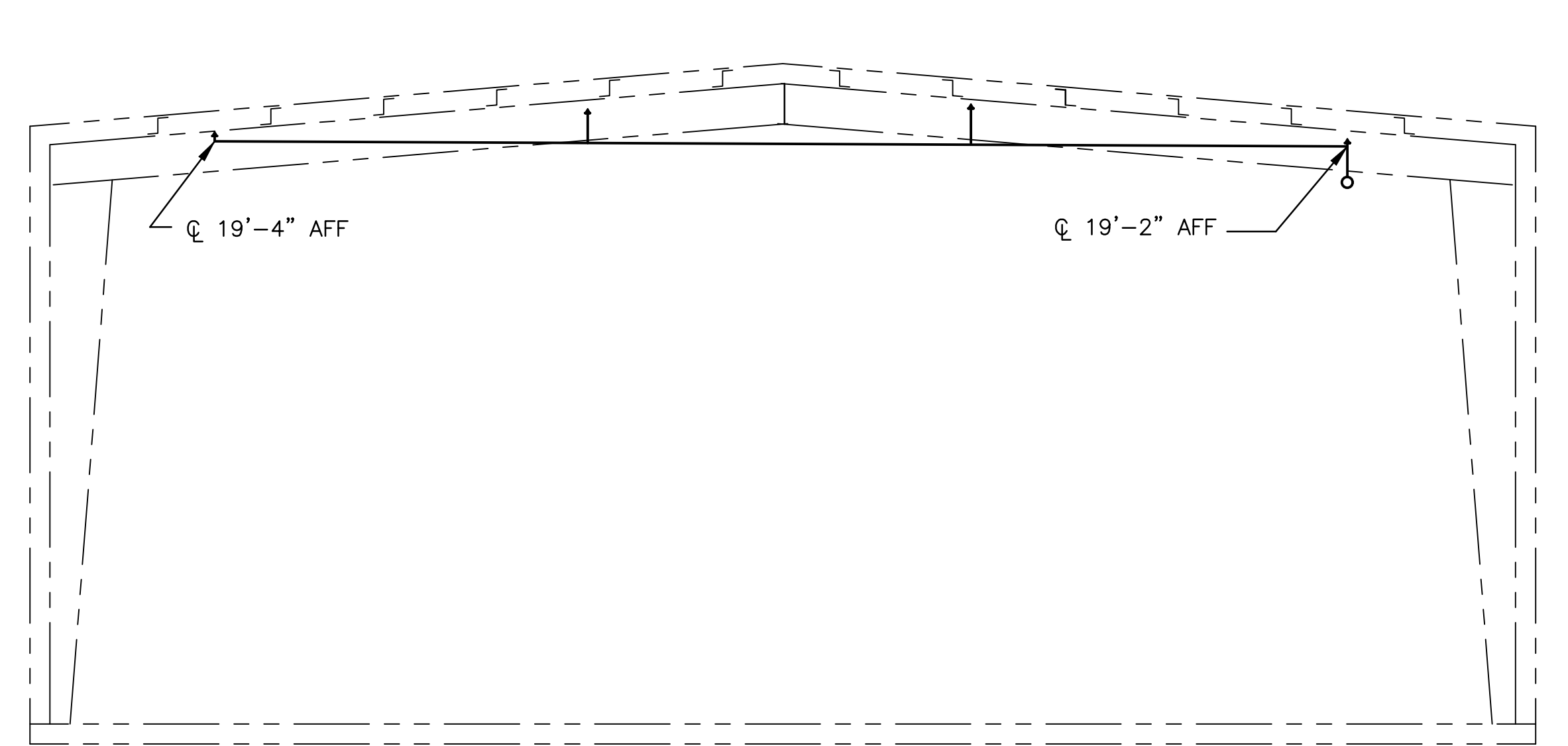
**SECTION**  
B-SH-1



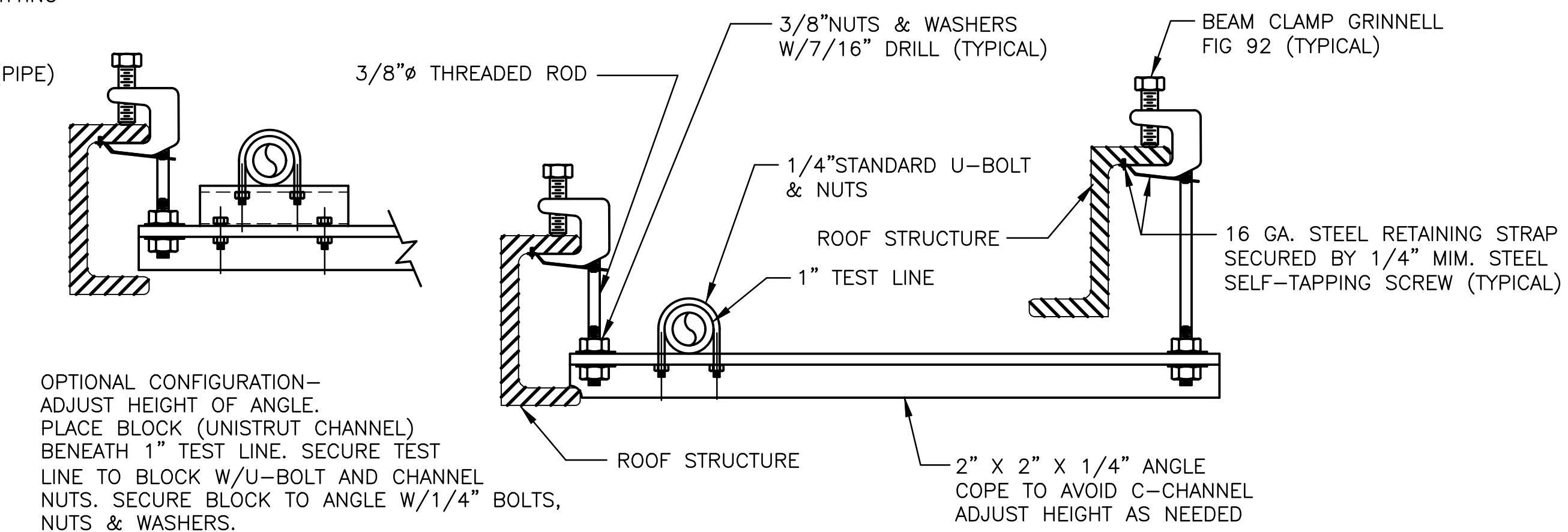
**LATERAL SWAY BRACE DETAIL IV**  
(TYPICAL 2-WAY SWAY BRACE DETAIL)



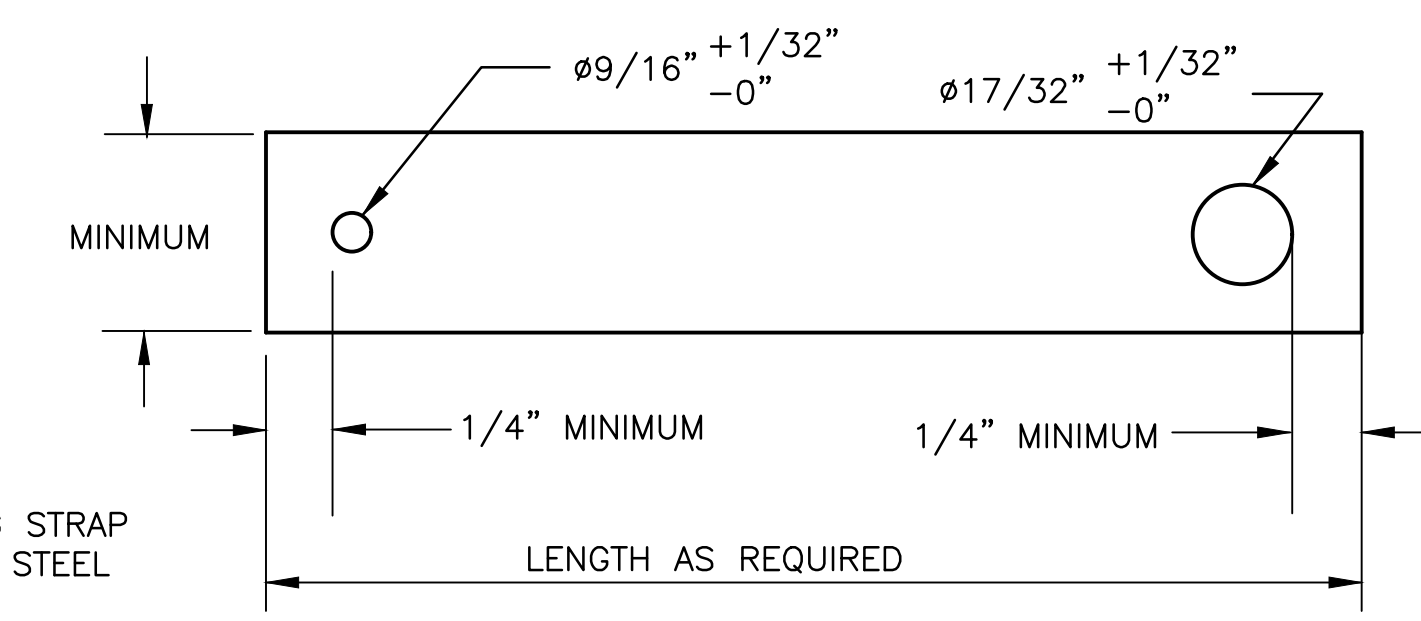
**SWAY BRACE DETAIL V**  
(TYPICAL 4-WAY SWAY BRACE DETAIL)



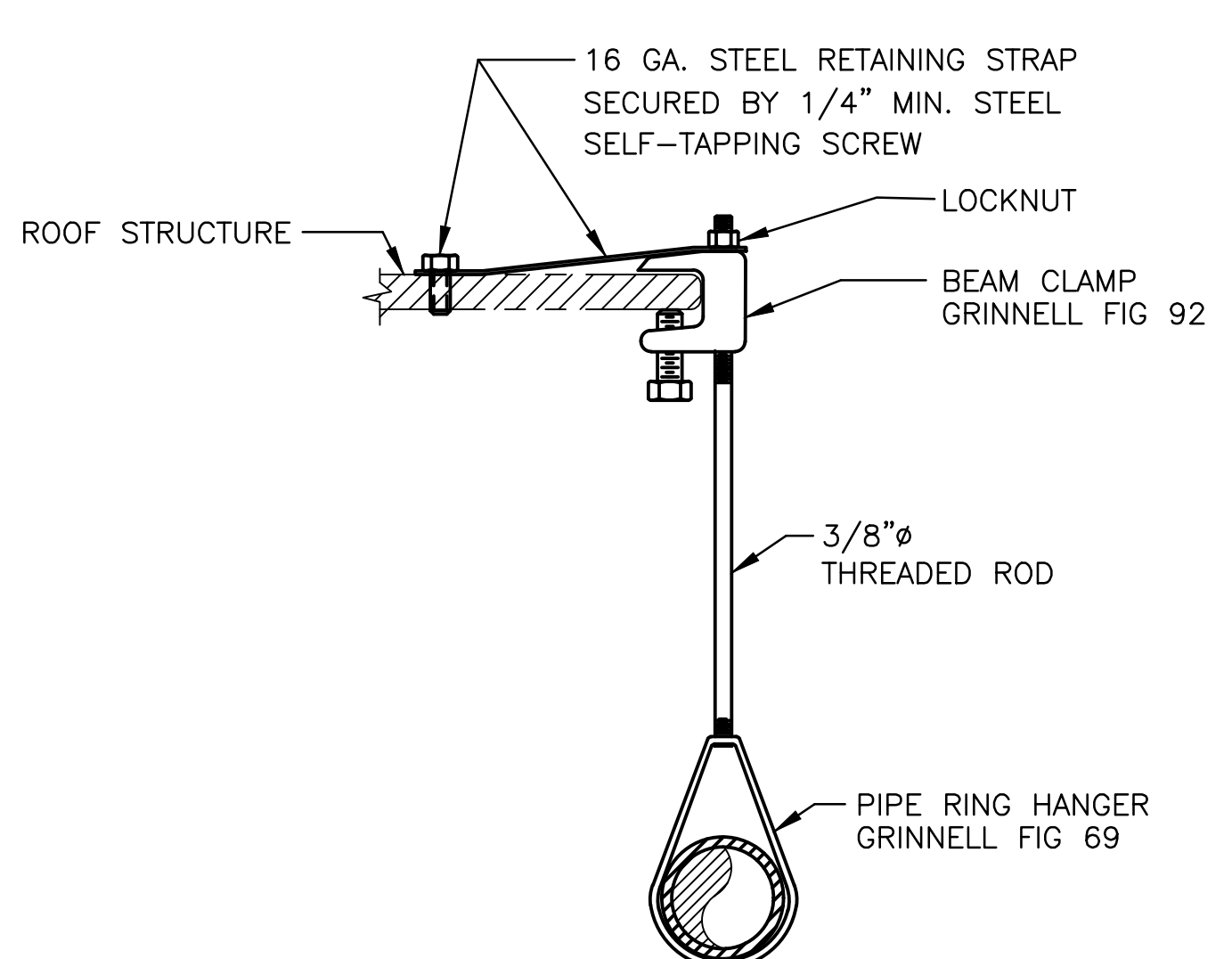
**SECTION**  
A-SH-1



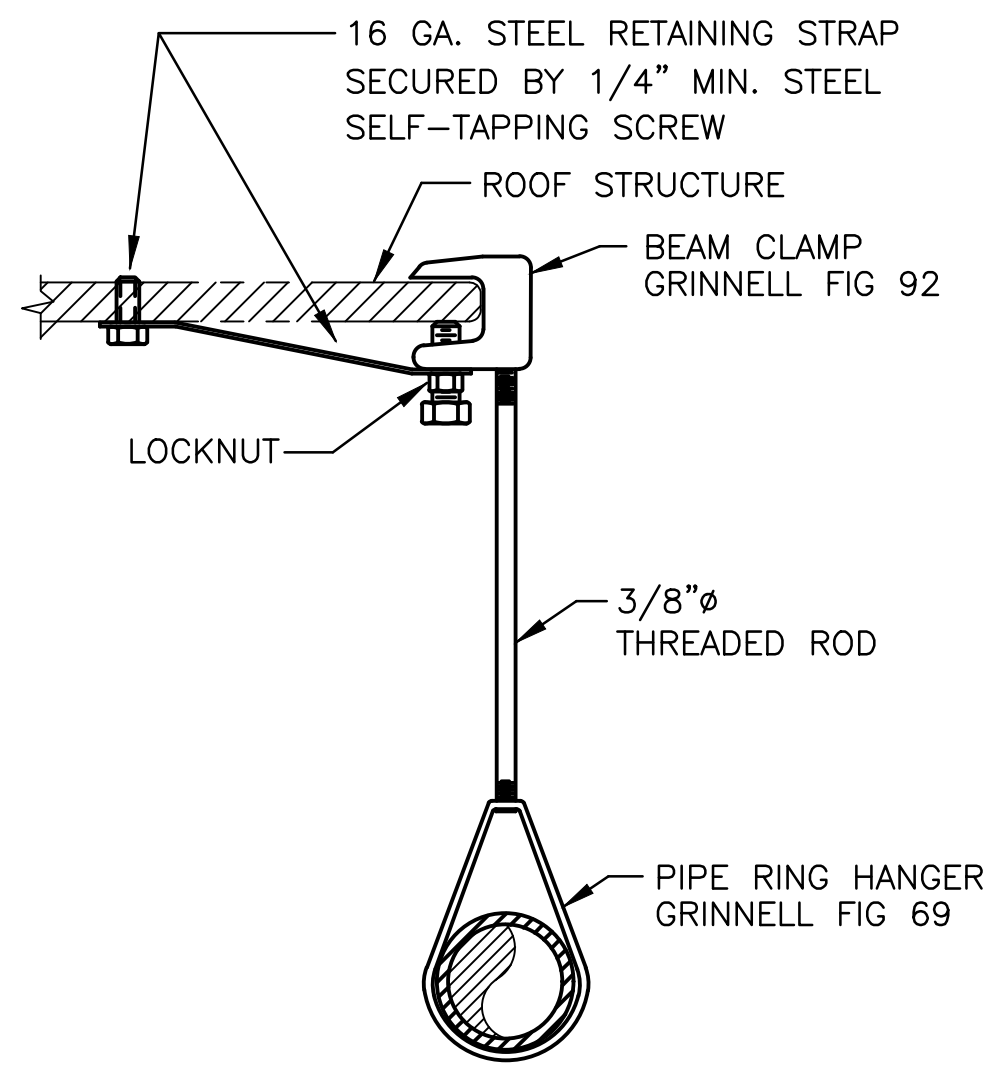
**SECTION**  
C-SH-1



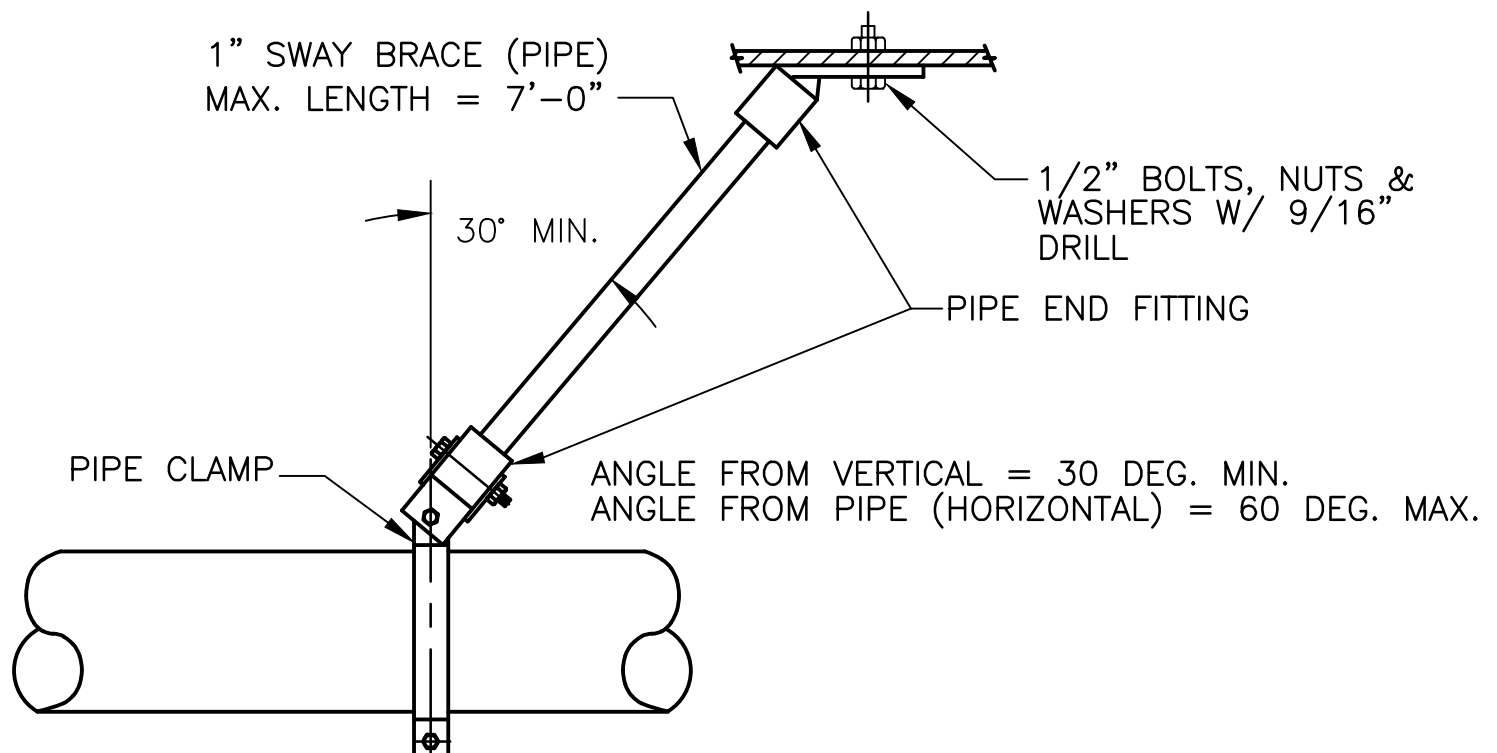
**RETAINING STRAP DETAIL**



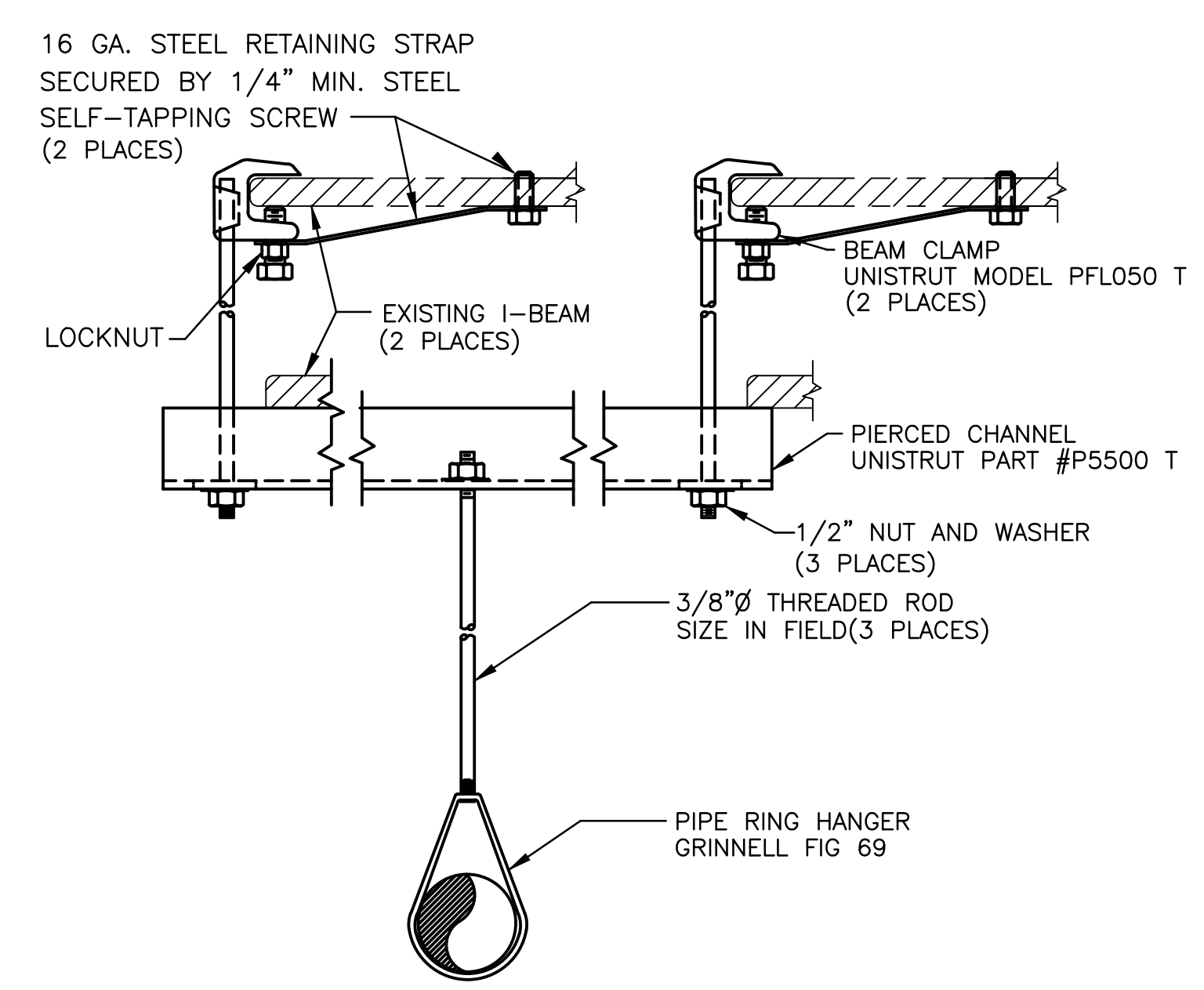
**HANGER DETAIL I**



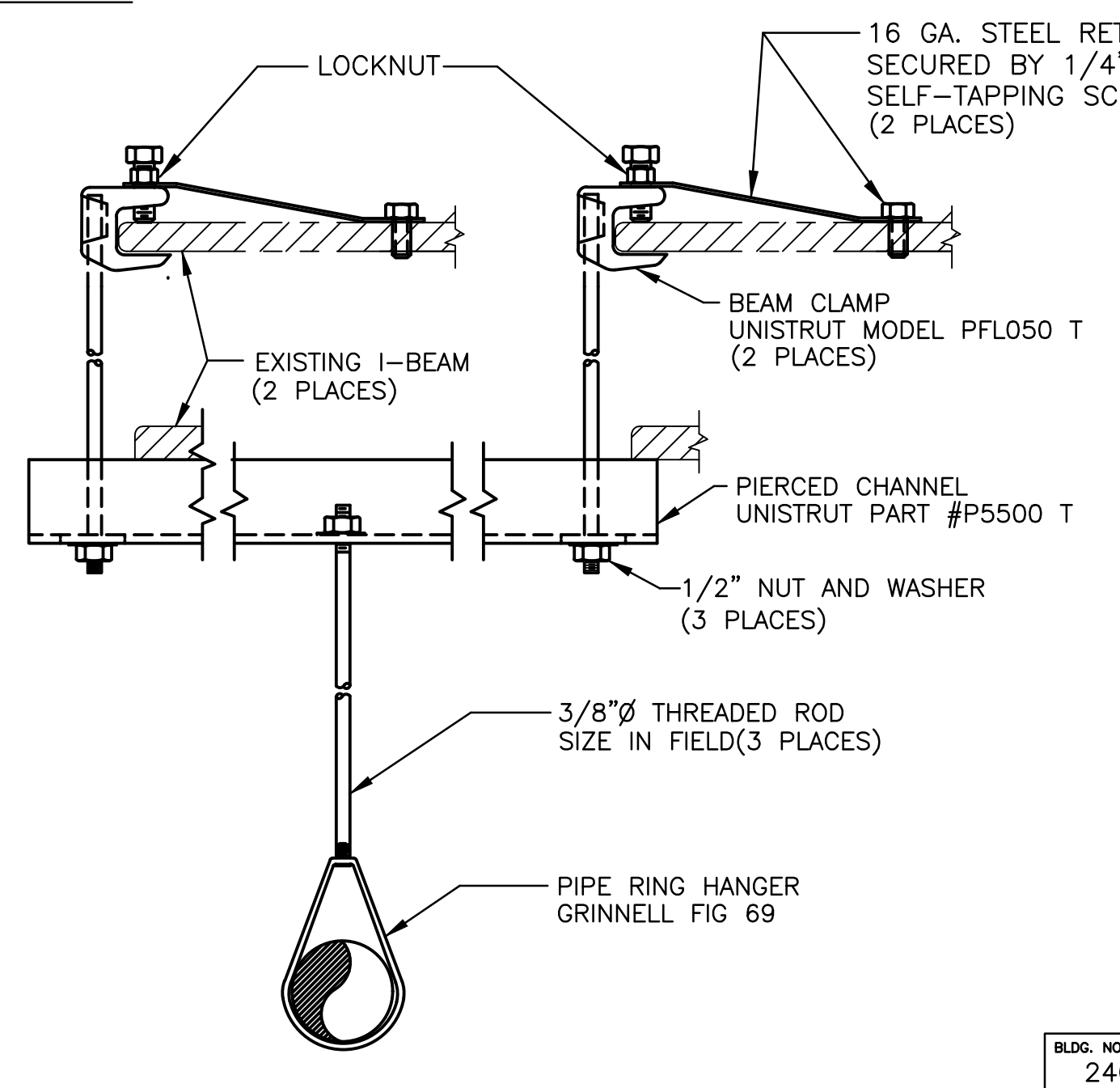
**HANGER DETAIL I ALTERNATE OPTION**



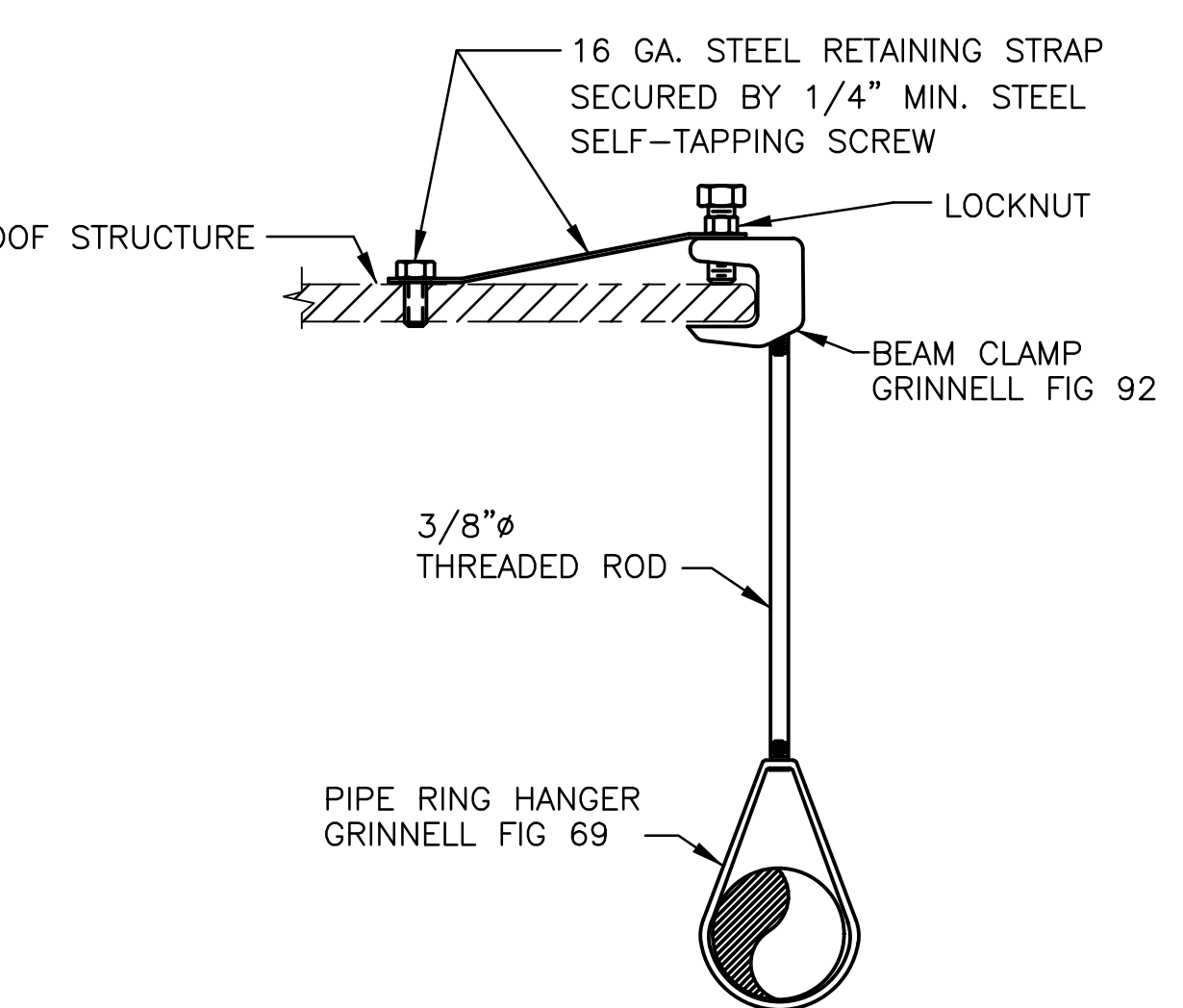
**LONGITUDINAL SWAY BRACE DETAIL VI**



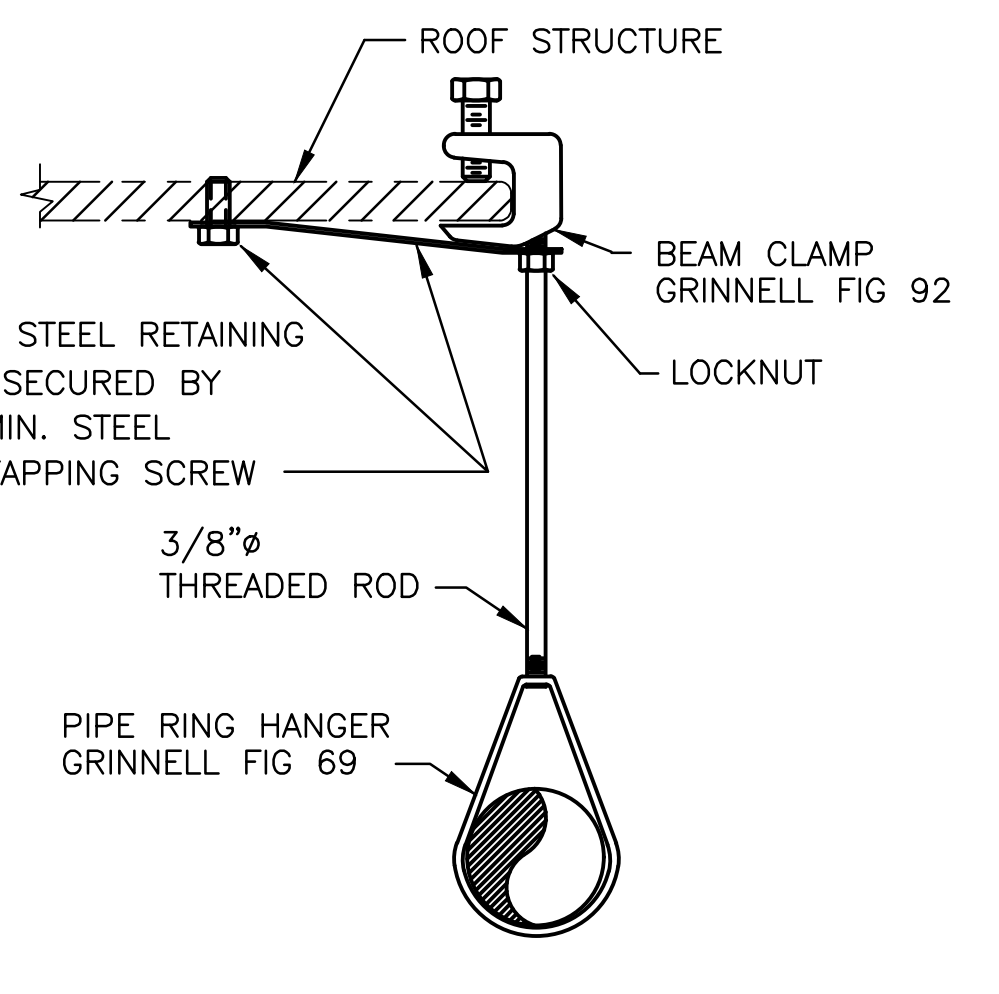
**HANGER DETAIL II**



**HANGER DETAIL II ALTERNATE OPTION**



**HANGER DETAIL III**



**HANGER DETAIL III ALTERNATE OPTION**

NOTE: "REFER TO HNF-18377, "CENTRAL WASTE COMPLEX FIRE SUPPRESSION SYSTEM DESIGN DESCRIPTION" FOR FIRE RISER ROOM HANFORD FIRE DEPARTMENT EQUIPMENT NAME AND EQUIPMENT LABEL DESIGNATION.

DATE: Mar 02, 2021 HANFORD RELEASE

BLDG. NO. 2402WG	CAUTION NOT COMPLETE WITHOUT CURRENT CHANGE DOCUMENTS FROM DATABASE	ATTENTION DESTROY THIS DOCUMENT BY SHREDDING MAY CONTAIN SENSITIVE INFORMATION
U.S. DEPARTMENT OF ENERGY Richland Operations Office	FIRE PROTECTION SYSTEM DETAILS AND SECTIONS	
INDEX NO. 8508	DWG NUMBER H-2-821886	SHEET 2
SCALE NONE	REV 6	REV 6

DWG NUMBER	TITLE	REF NUMBER	TITLE	WFO	REV NO.	DESCRIPTION
	DRAWING TRACEABILITY LIST		REFERENCES			
			NEXT USED ON SHEET 1			
						REVISIONS

8

7

6

5

4

3

2

1