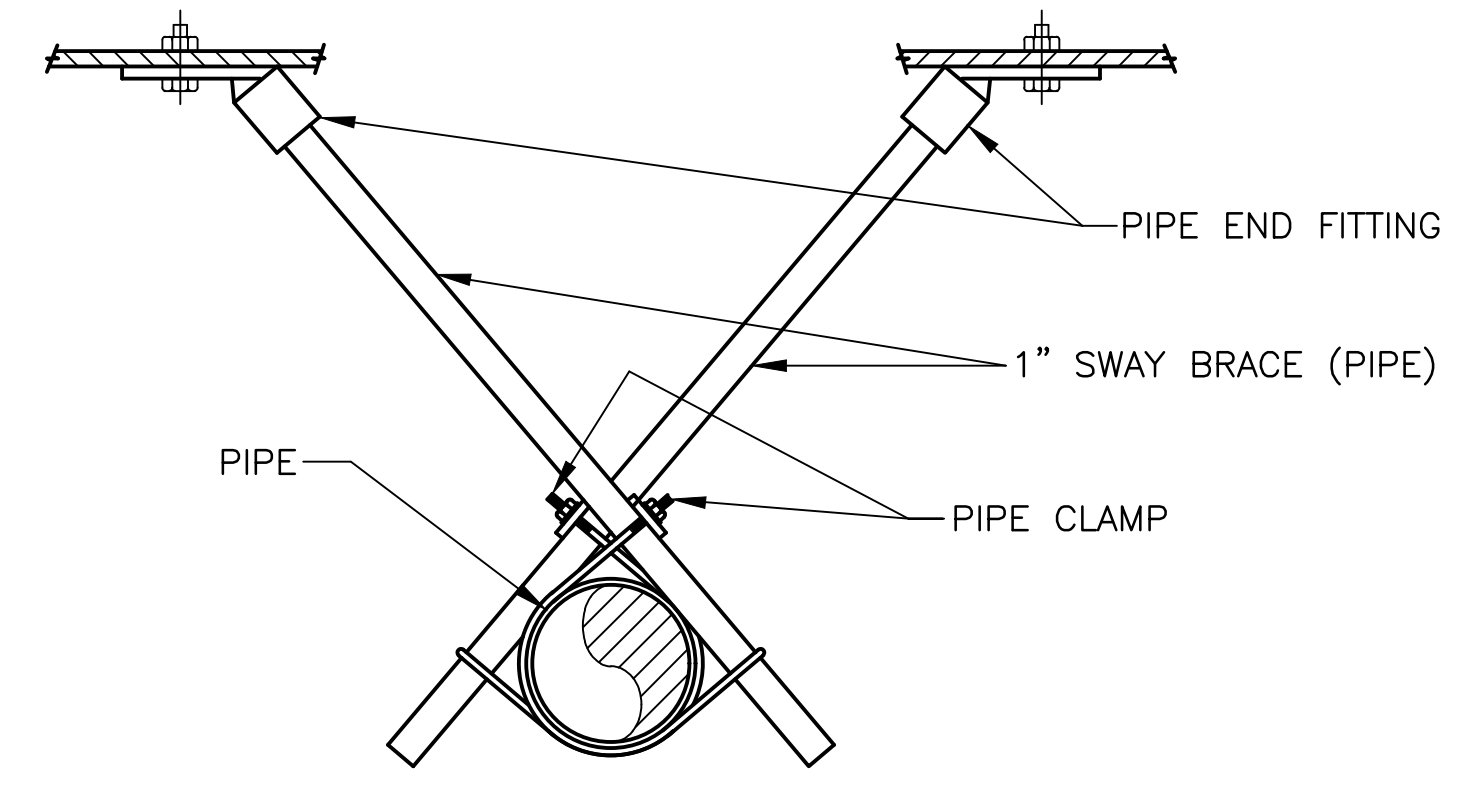
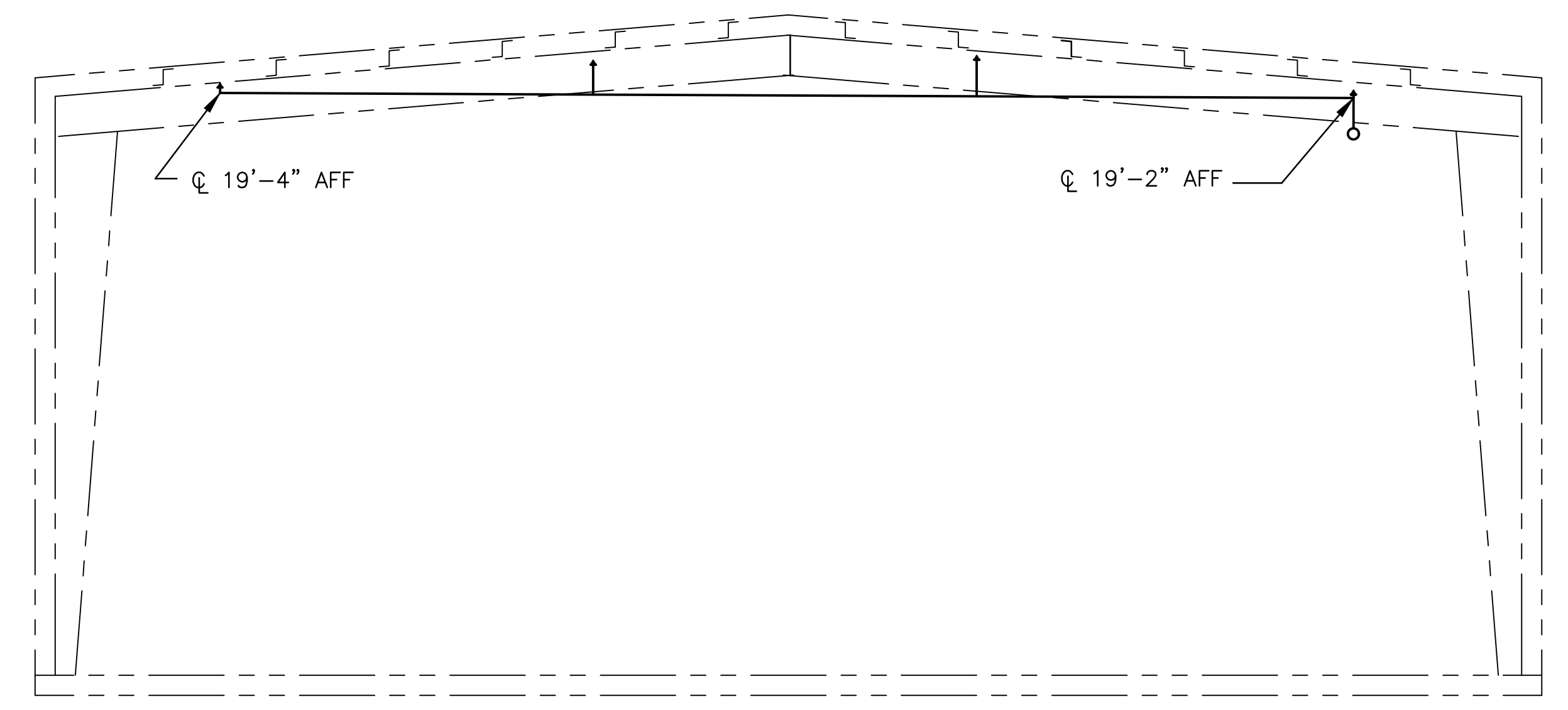


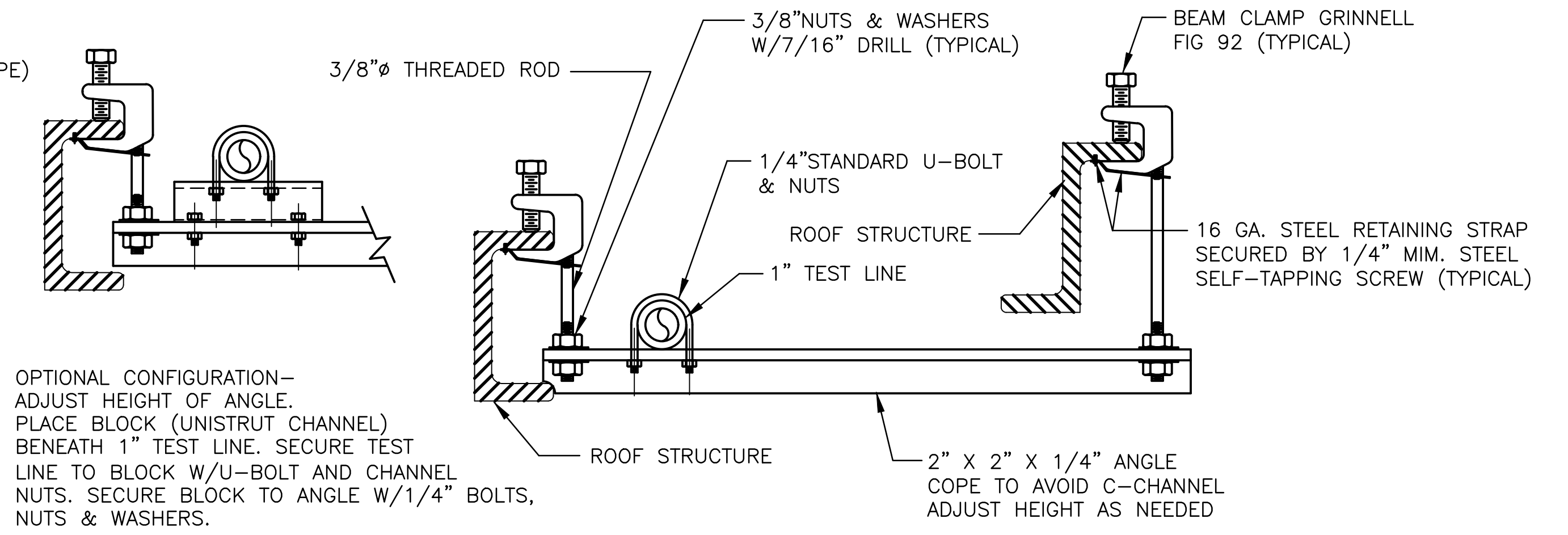
LATERAL SWAY BRACE DETAIL IV
(TYPICAL 2-WAY SWAY BRACE DETAIL)



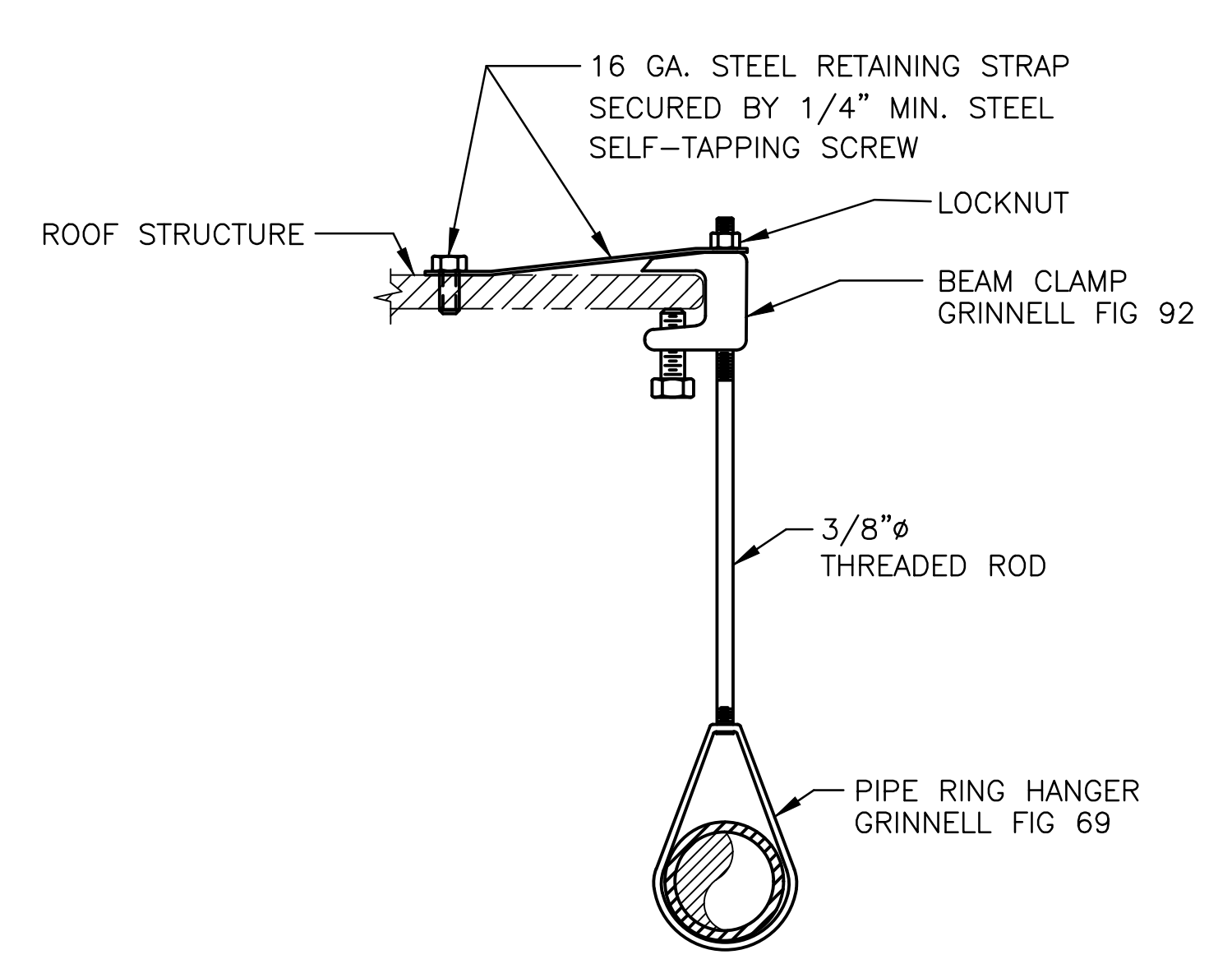
SWAY BRACE DETAIL V
(TYPICAL 4-WAY SWAY BRACE DETAIL)



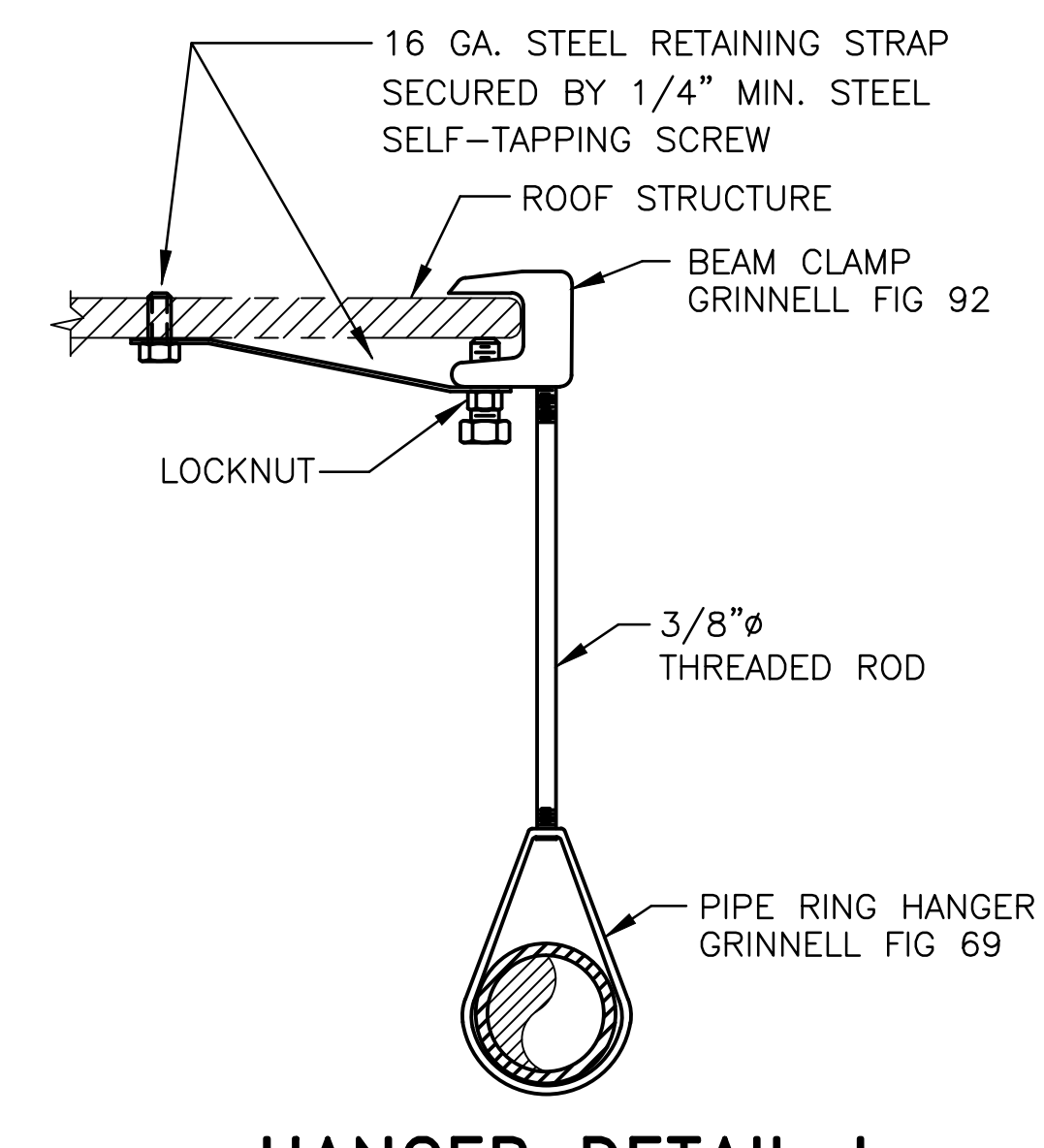
SECTION A-A
SH-1



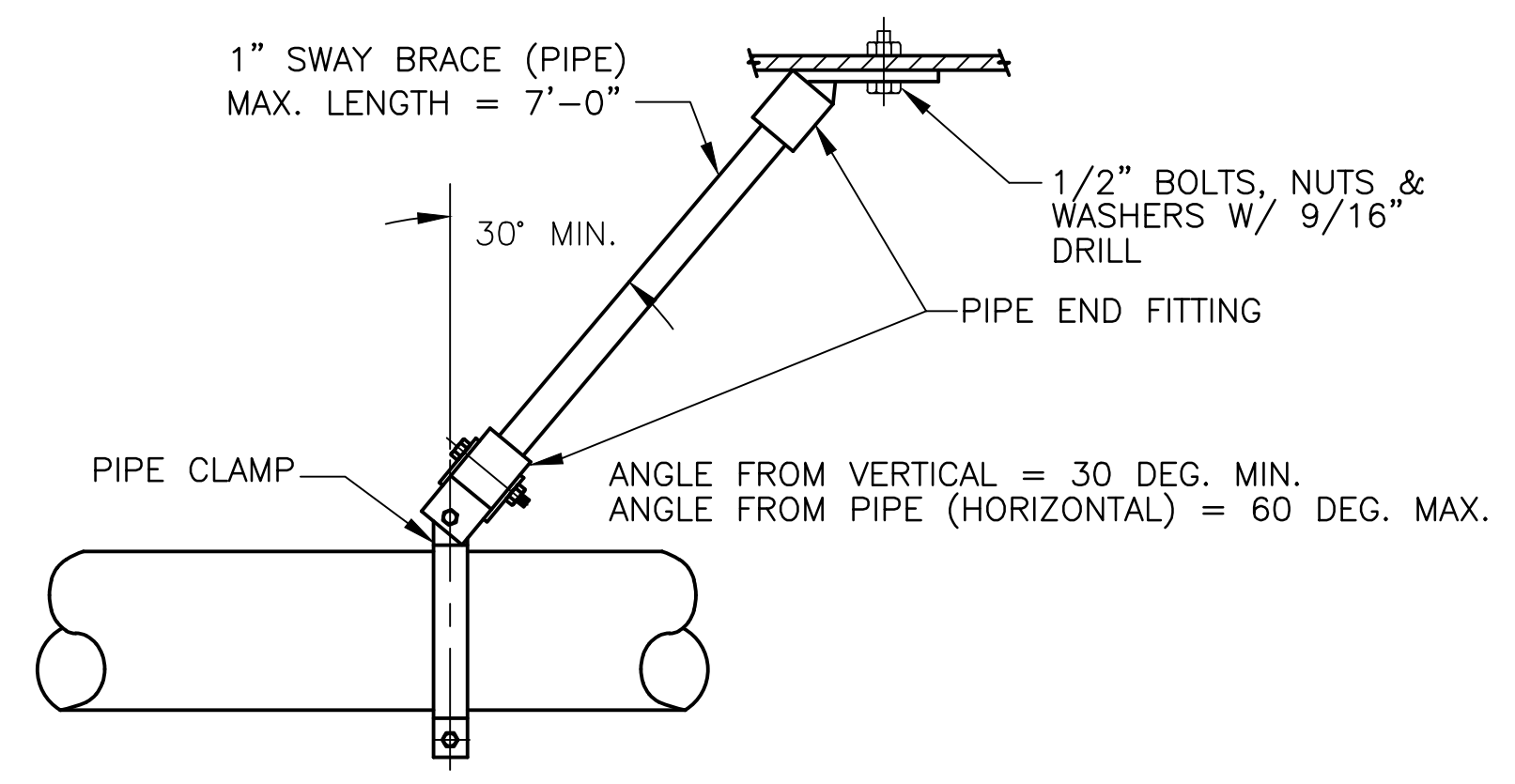
SECTION C-C
C



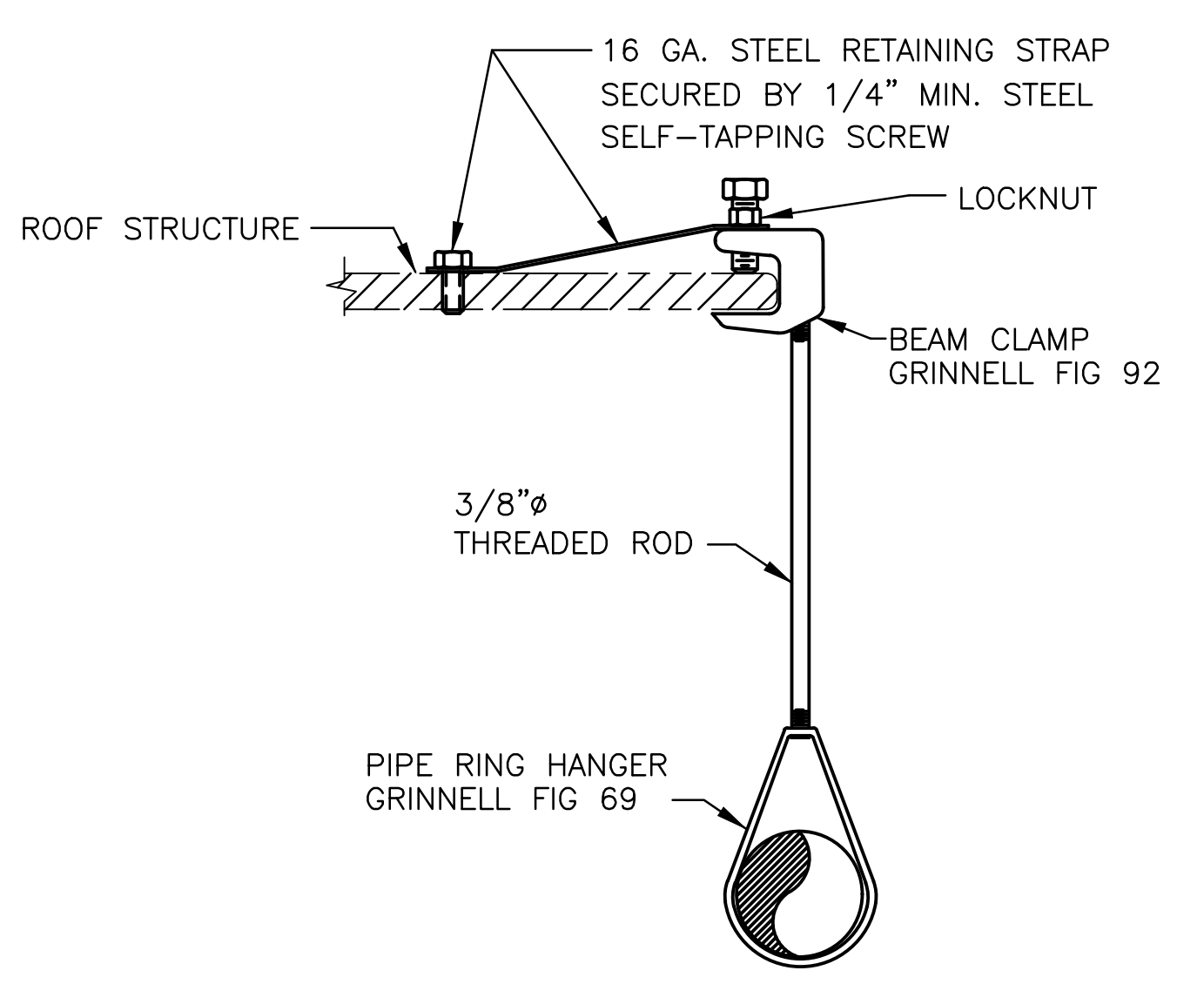
HANGER DETAIL I



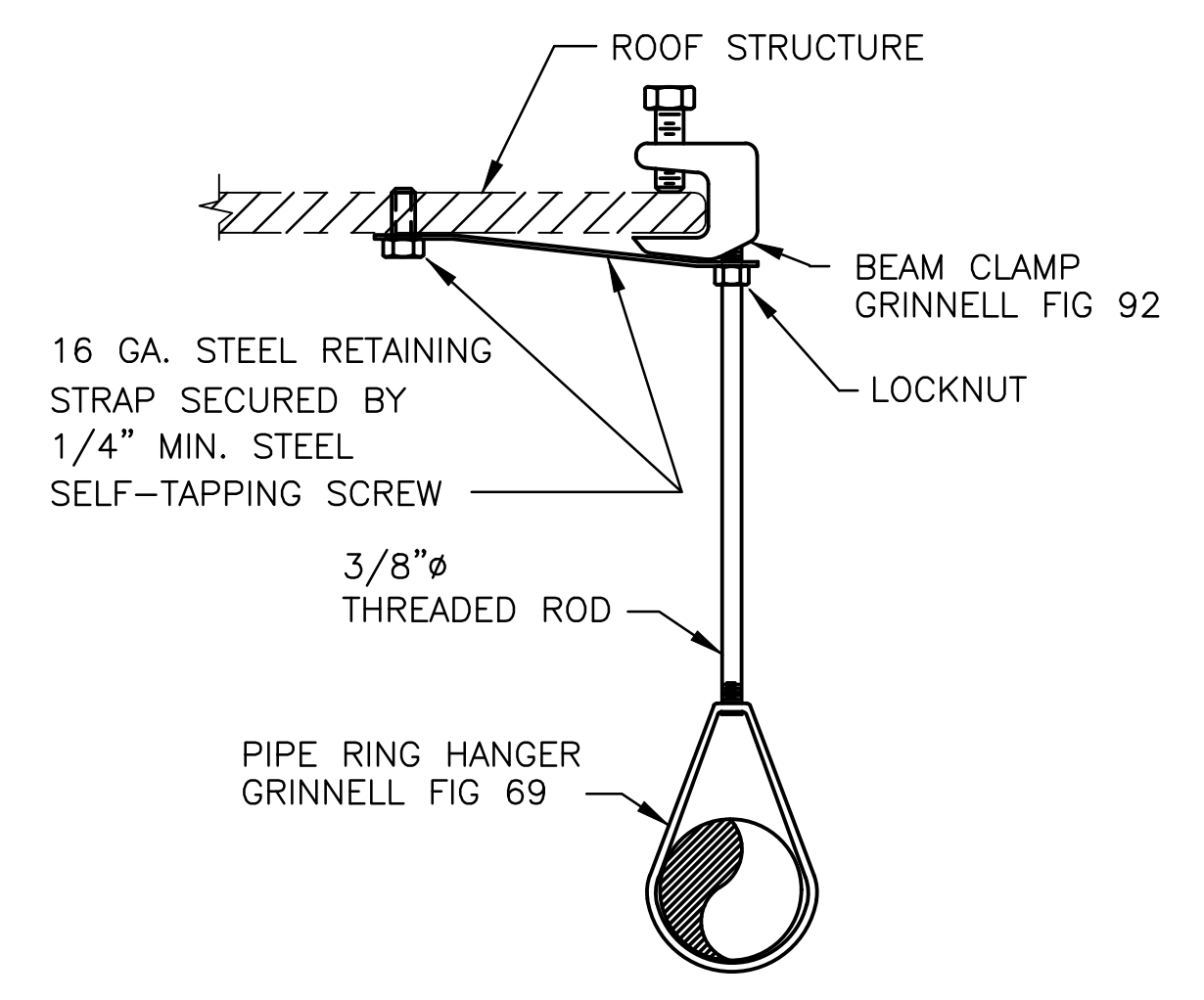
HANGER DETAIL I ALTERNATE OPTION



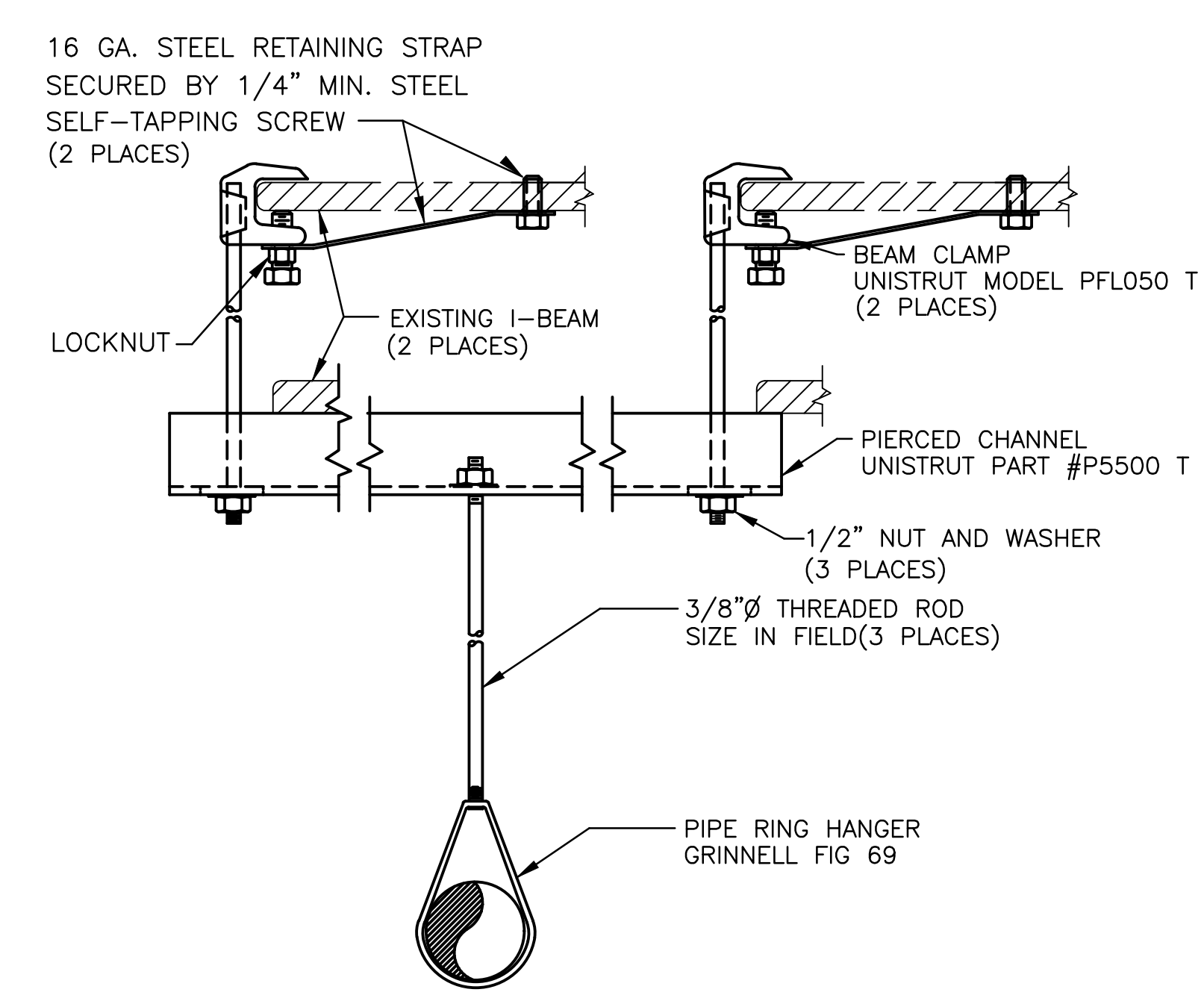
LONGITUDINAL SWAY BRACE DETAIL VI



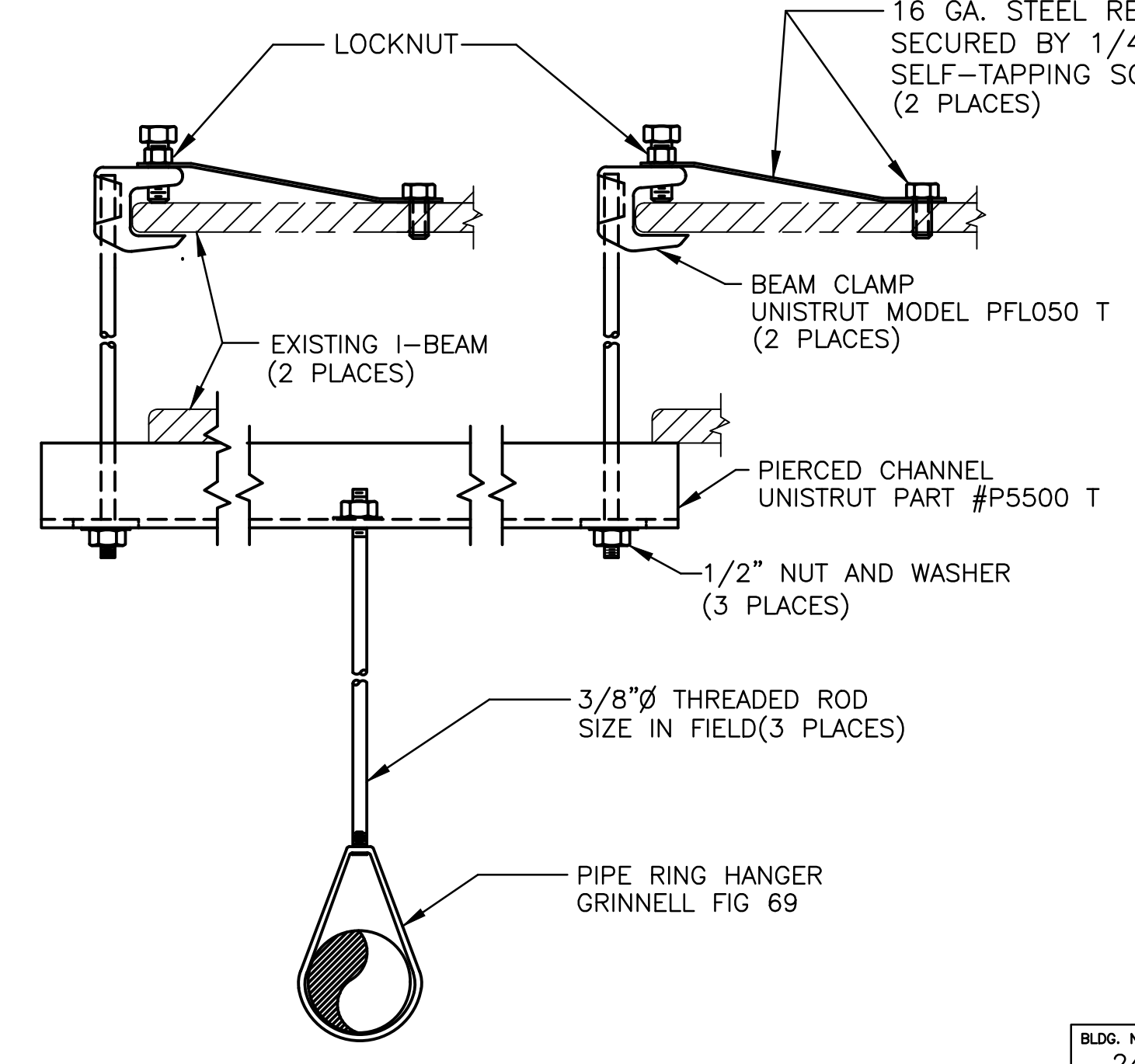
HANGER DETAIL III



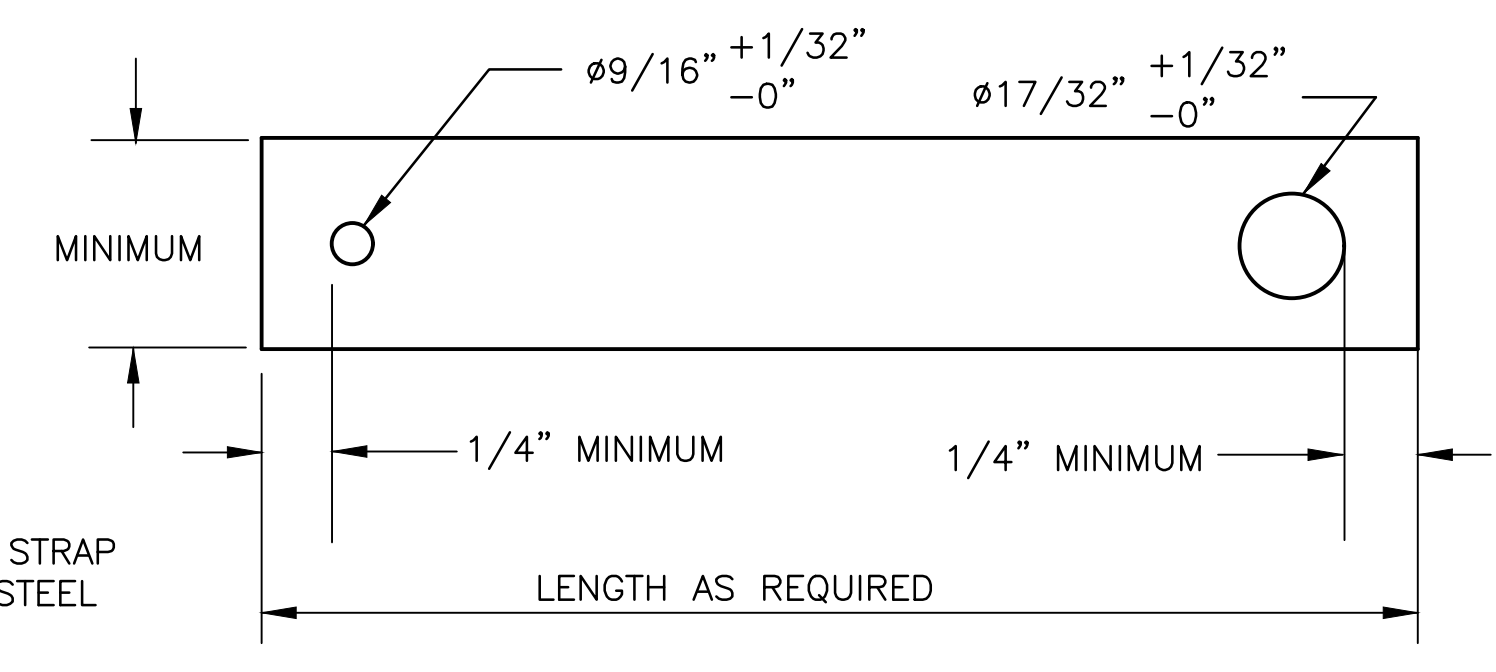
HANGER DETAIL III ALTERNATE OPTION



HANGER DETAIL II



HANGER DETAIL II ALTERNATE OPTION



RETAINING STRAP DETAIL

NOTE: REFER TO HNF-18377, "CENTRAL WASTE COMPLEX FIRE SUPPRESSION SYSTEM DESIGN DESCRIPTION" FOR FIRE RISER ROOM HANFORD FIRE DEPARTMENT EQUIPMENT NAME AND EQUIPMENT LABEL DESIGNATION.

DATE: Mar 02, 2021
HANFORD RELEASE

DWG NUMBER	TITLE	REF NUMBER	TITLE	REV	DESCRIPTION
				7	REVISED PER ECR-20-000253
DRAWING TRACEABILITY LIST			REFERENCES		
NEXT USED ON			REVISIONS		

BLDG. NO. 2402WE	CAUTION NOT COMPLETE WITHOUT CURRENT CHANGE DOCUMENTS FROM DATABASE	ATTENTION DESTROY THIS DOCUMENT BY SHREDDING MAY CONTAIN SENSITIVE INFORMATION
INDEX NO. 8508	U.S. DEPARTMENT OF ENERGY Richland Operations Office	FIRE PROTECTION SYSTEM DETAILS AND SECTIONS
	DRAWING NUMBER H-2-821884	SHEET 2 OF 7
	SCALE NONE	