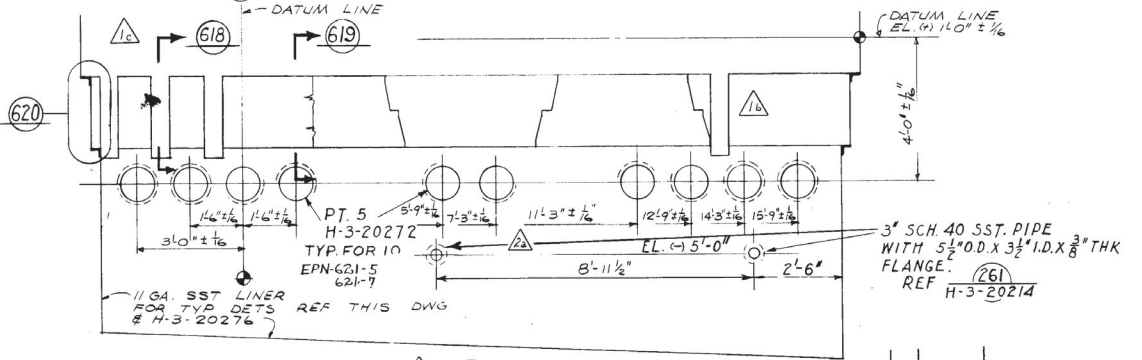
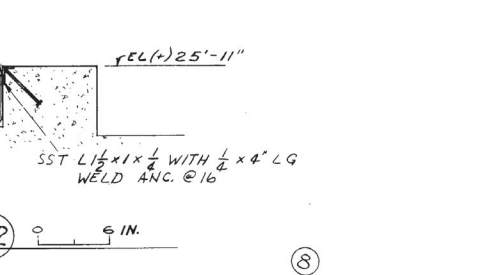
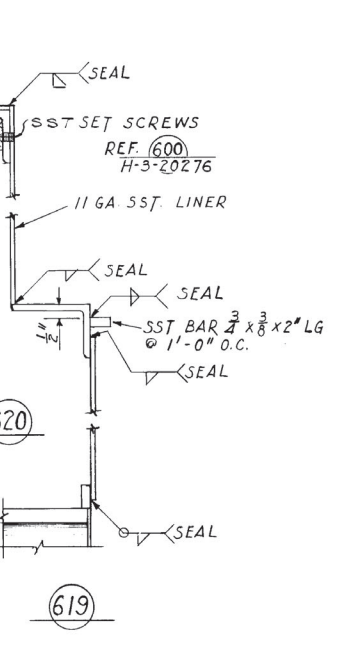
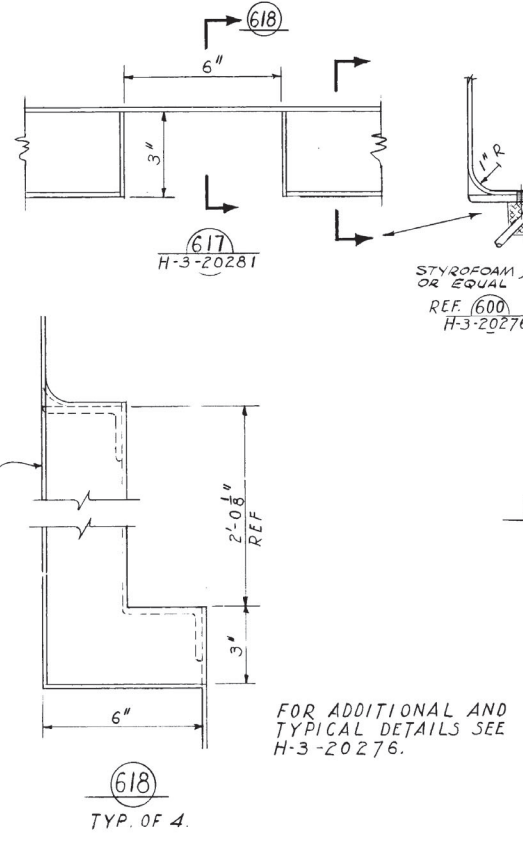
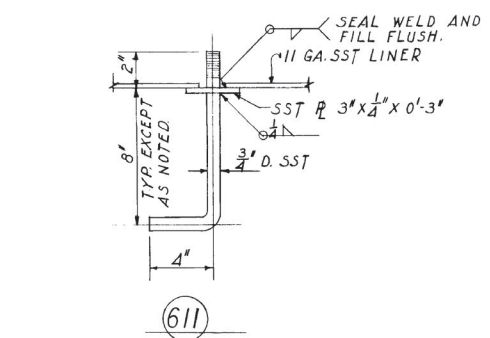
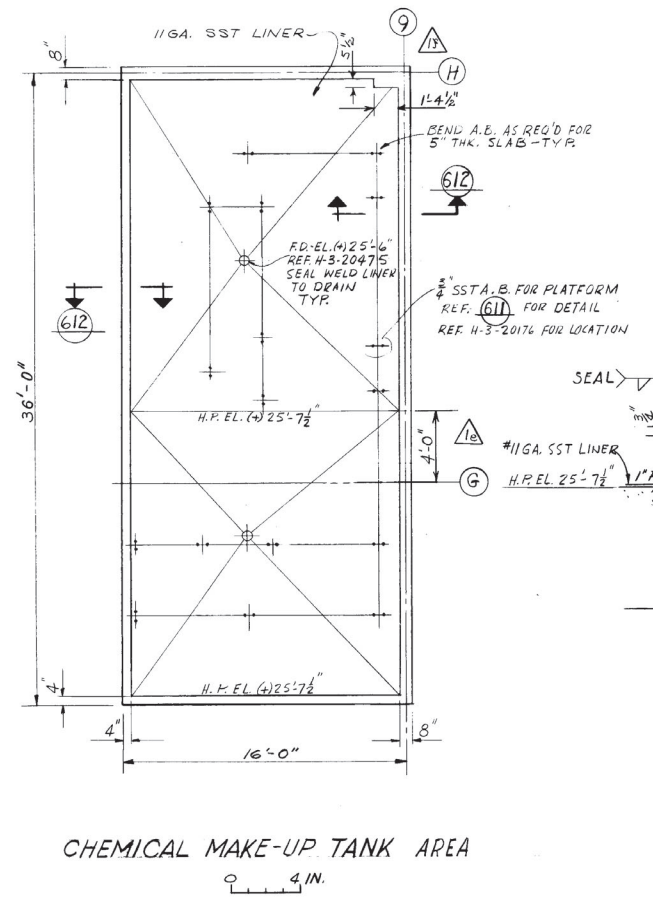
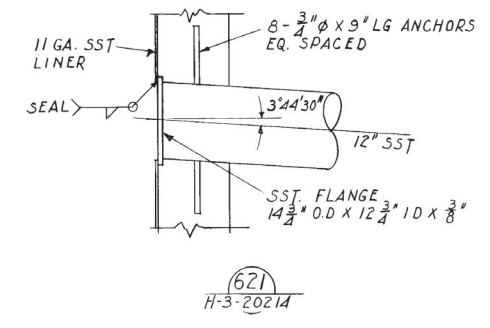
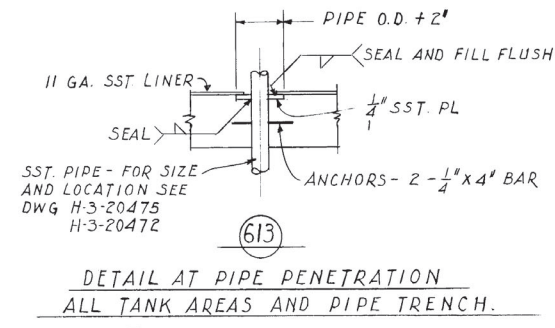
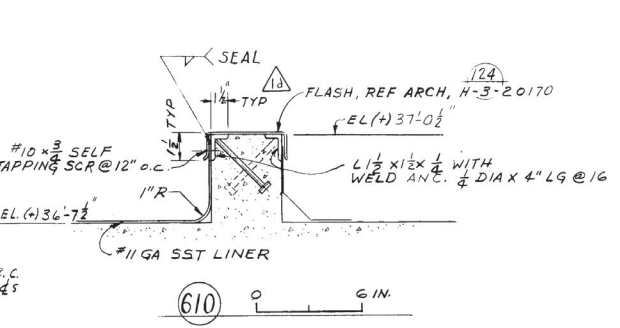
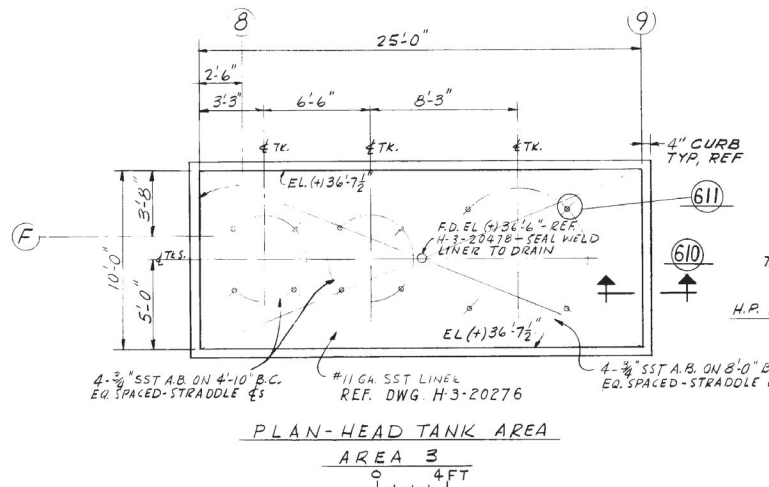


QTY.	PT. NO.	DESCRIPTION
------	---------	-------------



**GENERAL NOTES**  
 REF H-3-20276 FOR GENERAL NOTES 1 THRU 6  
 FOR LOCATION & DETAIL OF PIPING PENETRATIONS  
 REF H-3-20475

**NOTE:**  $\Delta$   
 REF TOLERANCING NOTES  
 ON H-3-20213

NO.	DESCRIPTION	REV. BY	DATE	APPR. BY	FOR	DATE
1	DIMS (+/-)	LAG	1-14-66	CEL		
2	ADDED TOLERANCING	LAG	1-14-66	CEL		
3	ADDED NOTE (+/-)	LAG	1-14-66	CEL		
4	ADDED DIM. ZN. D-3	LAG	1-14-66	CEL		
5	ADDED DIM. ZN. E-3	LAG	1-14-66	CEL		
6	ADDED DIM. ZN. B-6	LAG	1-14-66	CEL		
7	ADDED LNER REC. ZN. B-5	LAG	1-14-66	CEL		
8	ADDED DIM. ZN. G-7	LAG	1-14-66	CEL		

NO.	DESCRIPTION	REV. BY	DATE	APPR. BY	FOR	DATE
1	ADDED DIM. ZN. D-3	LAG	1-14-66	CEL		
2	ADDED DIM. ZN. E-3	LAG	1-14-66	CEL		
3	ADDED DIM. ZN. B-6	LAG	1-14-66	CEL		
4	ADDED LNER REC. ZN. B-5	LAG	1-14-66	CEL		
5	ADDED DIM. ZN. G-7	LAG	1-14-66	CEL		

CHECK PRINT	COMMENT PRINT	APPROVED FOR CONST.	U. S. ATOMIC ENERGY COMMISSION
			HANFORD ATOMIC PRODUCTS OPERATION
			GENERAL ELECTRIC
			SST LINER DETAILS
			TANK AREAS AND PIPE TRENCH
			AREAS 1 & 3
			FUELS RECYCLE PILOT PLANT
			NO. 324
			NO. 0900
			H-3-20277

H-3-20277 SHEET 2