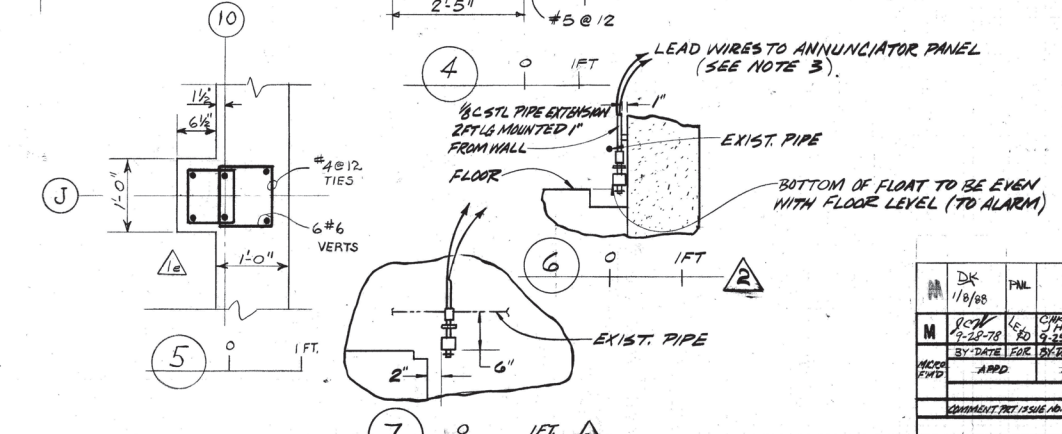


1. LEVEL SWITCH SHALL BE SERIES LS 1800, P/N 01807 AS MFGD. BY GEMS DIVISION OF DELAVAL TURBINE.
2. 1/8" IFT C STL COUPLING
3. RUN LEADS FROM LEVEL SWITCHES TO ANNUNCIATOR PANEL IN LOBBY USE DROP # 26. LABEL SHALL READ "HIGH LIQUID LEVEL TANK PIT SUMP."
4. FOR CONC. GENERAL NOTES REF H-3-20198
5. HARDWARE REF SPECIFICATION HWS 5967 DIVISION XI STANDARD DOORS, WINDOWS & HARDWARE
 DOOR 28 - SAME AS DOOR 329 (DRS 28 & 30 TO BE INCLUDED IN KEY MASTER SYSTEM "B" CHANGE KEY NO. (18)
 DOOR 29 - SAME AS DOOR 22 EXCEPT EXIT DEVICE N° 820
 DOOR 30 - SAME AS DOOR 329 EXCEPT LOCKSET 86-C
 DOOR 31 - SAME AS DOOR 146 EXCEPT ADD STOP N° 1328 E
6. HOISTWAY DOOR NO. 27 REF SPECIFICATION HWS 5967 DIVISION XV ELEVATOR & DUMBWAITER AS REVISED IN AMENDMENT N° 3.



NO.	DESCRIPTION	REV. BY DATE	APPD BY DATE	FOR DATE
1	CHECKED FOR AS-BUILT			
2	DELETED ALL SKETCH NUMBERS			
3	ADDED DET. ZN. G-B			
4	ADDED EXP. JT. ZN. E-5			
5	ADDED EXP. NOTES ZN. D-B, C-6			
6	ADDED PILASTER ZN. C-7			

NO.	DATE	BY	DESCRIPTION	REV. NO.
1	4-27-78	W. C. GUNN	TEST. LAB. ARR. & MECH.	1
2	5-2-78	W. C. GUNN	CONST. SPEC	2
3	5-2-78	W. C. GUNN	EMBEDDED ANGLES	3
4	5-2-78	W. C. GUNN	STR. CONC. FDN. & BSMT. PL. AREA	4
5	5-2-78	W. C. GUNN	STR. CONC. FDN. & BSMT. PL. AREA	5
6	5-2-78	W. C. GUNN	STR. CONC. FDN. & BSMT. PL. AREA	6
7	5-2-78	W. C. GUNN	ARCH. PL. RS. EL. (-) 10'-0" AREAS	7
8	5-2-78	W. C. GUNN	ARCH. PL. RS. EL. (-) 10'-0" AREAS	8
9	5-2-78	W. C. GUNN	ARCH. PL. RS. EL. (-) 10'-0" AREAS	9
10	5-2-78	W. C. GUNN	ARCH. PL. RS. EL. (-) 10'-0" AREAS	10

NO.	DATE	BY	DESCRIPTION	REV. NO.
1	4-27-78	W. C. GUNN	TEST. LAB. ARR. & MECH.	1
2	5-2-78	W. C. GUNN	CONST. SPEC	2
3	5-2-78	W. C. GUNN	EMBEDDED ANGLES	3
4	5-2-78	W. C. GUNN	STR. CONC. FDN. & BSMT. PL. AREA	4
5	5-2-78	W. C. GUNN	STR. CONC. FDN. & BSMT. PL. AREA	5
6	5-2-78	W. C. GUNN	STR. CONC. FDN. & BSMT. PL. AREA	6
7	5-2-78	W. C. GUNN	ARCH. PL. RS. EL. (-) 10'-0" AREAS	7
8	5-2-78	W. C. GUNN	ARCH. PL. RS. EL. (-) 10'-0" AREAS	8
9	5-2-78	W. C. GUNN	ARCH. PL. RS. EL. (-) 10'-0" AREAS	9
10	5-2-78	W. C. GUNN	ARCH. PL. RS. EL. (-) 10'-0" AREAS	10

H-3-20263

NO.	DATE	BY	DESCRIPTION	REV. NO.
1	4-27-78	W. C. GUNN	TEST. LAB. ARR. & MECH.	1
2	5-2-78	W. C. GUNN	CONST. SPEC	2
3	5-2-78	W. C. GUNN	EMBEDDED ANGLES	3
4	5-2-78	W. C. GUNN	STR. CONC. FDN. & BSMT. PL. AREA	4
5	5-2-78	W. C. GUNN	STR. CONC. FDN. & BSMT. PL. AREA	5
6	5-2-78	W. C. GUNN	STR. CONC. FDN. & BSMT. PL. AREA	6
7	5-2-78	W. C. GUNN	ARCH. PL. RS. EL. (-) 10'-0" AREAS	7
8	5-2-78	W. C. GUNN	ARCH. PL. RS. EL. (-) 10'-0" AREAS	8
9	5-2-78	W. C. GUNN	ARCH. PL. RS. EL. (-) 10'-0" AREAS	9
10	5-2-78	W. C. GUNN	ARCH. PL. RS. EL. (-) 10'-0" AREAS	10

NO.	DATE	BY	DESCRIPTION	REV. NO.
1	4-27-78	W. C. GUNN	TEST. LAB. ARR. & MECH.	1
2	5-2-78	W. C. GUNN	CONST. SPEC	2
3	5-2-78	W. C. GUNN	EMBEDDED ANGLES	3
4	5-2-78	W. C. GUNN	STR. CONC. FDN. & BSMT. PL. AREA	4
5	5-2-78	W. C. GUNN	STR. CONC. FDN. & BSMT. PL. AREA	5
6	5-2-78	W. C. GUNN	STR. CONC. FDN. & BSMT. PL. AREA	6
7	5-2-78	W. C. GUNN	ARCH. PL. RS. EL. (-) 10'-0" AREAS	7
8	5-2-78	W. C. GUNN	ARCH. PL. RS. EL. (-) 10'-0" AREAS	8
9	5-2-78	W. C. GUNN	ARCH. PL. RS. EL. (-) 10'-0" AREAS	9
10	5-2-78	W. C. GUNN	ARCH. PL. RS. EL. (-) 10'-0" AREAS	10