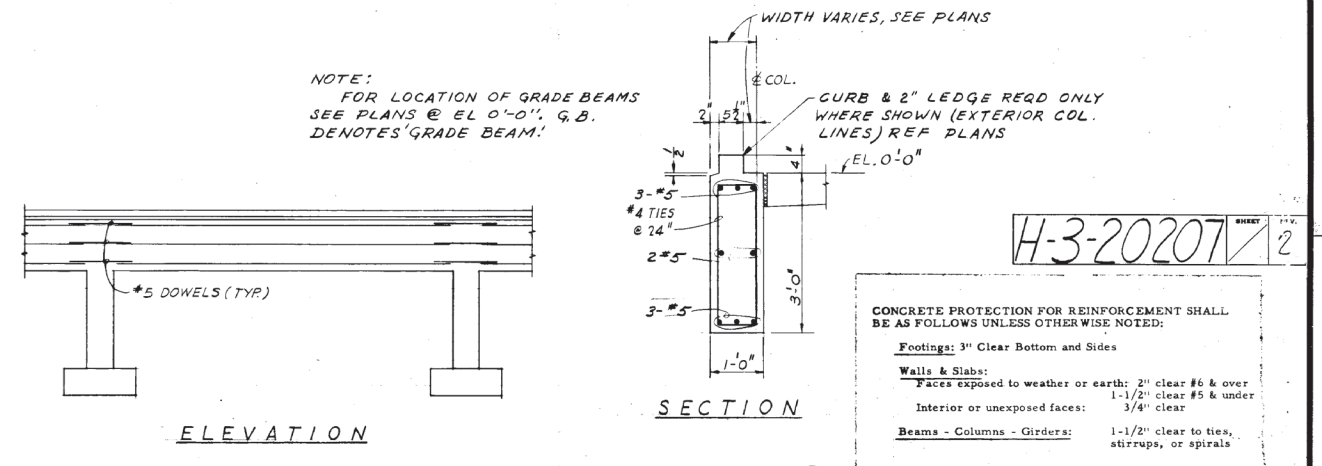


COLUMN NUMBER	FOOTING				PIER			ANCHOR BOLTS				PROJ.	
	A	B	C	D ELEV.	E	F	G ELEV.	VERTICAL REINF.	NUMBER & SIZE	H	J		ORIENTATION
A1	2'-6"	2'-6"	1'-0"	(-9'-0")	4-#4	4-#4	1'-2 1/2"	1'-3 1/2"	4-#6	2-3/4"	4	X	2 3/4"
A2	2'-9"	2'-9"	1'-0"	(-8'-0")	4-#4	4-#4	1'-0"	1'-4 1/2"	4-#6	2-3/4"	4	Y	2 3/4"
A3	2'-9"	2'-9"	1'-0"	(-8'-0")	4-#4	4-#4	1'-0"	1'-4 1/2"	4-#6	2-3/4"	4	Y	2 3/4"
A4	4'-0"	4'-0"	1'-0"	(-8'-0")	10-#4	10-#4	1'-0"	1'-5 1/2"	6-#6	2-3/4"	5	Y	3
A5	4'-6"	4'-6"	1'-3"	(-8'-0")	7-#5	7-#5	1'-0"	1'-5 1/2"	6-#6	2-3/4"	5	Y	3
A6	—	—	—	(-11'-8")	—	—	1'-0"	1'-5 1/2"	6-#6	2-3/4"	5	Y	3
A-7	—	—	—	(-11'-6")	—	—	1'-0"	1'-6 1/2"	6-#6	2-1/8"	5	Y	3 3/4"
A-8	—	—	—	(-11'-6")	—	—	1'-0"	1'-6 1/2"	6-#6	2-1/8"	5	Y	3 3/4"
A-9	—	—	—	(-11'-6")	—	—	1'-0"	1'-6 1/2"	6-#6	2-1/8"	5	Y	3 3/4"
A-10	—	—	—	(-11'-6")	—	—	1'-4"	1'-6 1/2"	6-#6	2-1/8"	5	Y	3 3/4"
A9-10	3'-9"	3'-9"	1'-0"	(-10'-8")	8-#4	8-#4	1'-6 1/2"	11"	6-#6	2-1/8"	5	X	3 3/4"
B1	2'-9"	2'-9"	1'-0"	(-9'-0")	4-#4	4-#4	1'-2 1/2"	1'-0"	4-#6	2-3/4"	4	X	2 3/4"
B2	2'-6"	2'-6"	1'-0"	(-8'-0")	4-#4	4-#4	1'-0"	1'-0"	4-#6	2-3/4"	5	X	2 3/8"
B3	2'-6"	2'-6"	1'-0"	(-8'-0")	4-#4	4-#4	1'-0"	1'-0"	4-#6	2-3/4"	5	X	2 3/8"
B4	4'-6"	4'-6"	1'-3"	(-11'-0")	7-#5	7-#5	1'-2"	1'-0"	4-#6	2-3/4"	5	X	3
B-e-5.7	4'-0"	4'-0"	1'-0"	(-11'-0")	10-#4	10-#4	1'-2"	1'-0"	4-#6	2-3/4"	5	X	3
B-e-10	3'-9"	3'-9"	1'-0"	(-11'-0")	8-#4	8-#4	1'-6 1/2"	11"	6-#6	2-1/8"	5	X	3 3/4"
C-1	—	—	—	(-11'-0")	—	—	1'-2 1/2"	1'-0"	4-#6	2-3/4"	4	X	2 3/4"
C-b-7	5'-6"	5'-6"	1'-3"	(-11'-0")	13-#5	8-#5	1'-3"	2'-3"	6-#8	4-1 1/2"	6	1-2 Z	1-2
C-b-9.6	5'-0"	5'-0"	1'-3"	(-11'-0")	9-#5	5-#5	1'-3"	2'-3"	6-#8	4-1 1/2"	6	1-2 Z	1-2
C-b-10.5	4'-6"	4'-6"	1'-3"	(-11'-0")	8-#5	5-#5	1'-6"	2'-5"	6-#8	4-1 1/2"	6	1-2 Z	1-2
D-1	—	—	—	(-11'-0")	—	—	1'-2 1/2"	1'-0"	4-#6	2-3/4"	4	X	2 3/4"
D-10.5	2'-6"	2'-6"	1'-0"	(-9'-0")	4-#4	4-#4	1'-6 1/2"	11"	6-#6	2-1/8"	5	X	3 3/4"
Dh-10.5	5'-0"	5'-0"	1'-3"	(-11'-0")	9-#5	5-#5	1'-6"	2'-3"	6-#8	4-1 1/2"	6	1-2 Z	1-2
E-1	—	—	—	(-11'-0")	—	—	1'-2 1/2"	1'-1 1/2"	4-#6	2-3/4"	4	X	2 3/4"
E-1.7	—	—	—	(-11'-0")	—	—	1'-0"	1'-2 1/2"	4-#6	2-3/4"	4	Y	2 3/4"
E-2.4	—	—	—	(-11'-0")	—	—	1'-2"	1'-4 1/2"	4-#6	2-3/4"	4	Y	2 3/4"
E-3.2	—	—	—	(-11'-0")	—	—	1'-0"	1'-3"	4-#7	2-3/4"	5	Y	3 3/4"
E-4	—	—	—	(-11'-0")	—	—	1'-0"	1'-3"	4-#7	2-3/4"	5	Y	3 3/4"
E-5	—	—	—	(-11'-0")	—	—	1'-0"	1'-3"	4-#7	2-3/4"	5	Y	3 3/4"
E-6	7'-3"	7'-3"	1'-9"	(-11'-9")	14-#6	14-#6	1'-10"	1'-8"	8-#7	4-3/4" EXP. BOLTS	12	1-2 Z	—
E.f-10.5	3'-6"	3'-6"	1'-0"	(-9'-0")	6-#4	6-#4	1'-6 1/2"	1'-2"	6-#6	2-1/8"	5	X	3 3/4"
F-3.2	4'-3"	4'-3"	1'-3"	(-11'-0")	6-#5	6-#5	1'-2"	1'-2"	4-#7	2-3/4"	9	X	3 1/4"
F-4.2	4'-9"	4'-9"	1'-3"	(-11'-0")	8-#5	8-#5	1'-2"	1'-2"	4-#7	2-3/4"	9	X	3 1/4"
F-5.2	4'-3"	4'-3"	1'-3"	(-11'-0")	6-#5	6-#5	1'-2"	1'-2"	4-#7	2-3/4"	9	X	3 1/4"
F-6	—	—	—	(-11'-0")	—	—	1'-4"	1'-4"	4-#8	2-1/8"	5	X	4 1/2"
F-10	4'-6"	4'-6"	1'-3"	(-11'-0")	7-#5	7-#5	1'-6 1/2"	1'-0"	6-#6	2-1/8"	5	X	3 3/4"
G-3.9	6'-0"	6'-0"	1'-6"	(-11'-0")	13-#5	13-#5	1'-5"	1'-5"	4-#8	2-3/4"	11	X	3 1/2"
G-5.2	4'-6"	4'-6"	1'-3"	(-11'-0")	7-#5	7-#5	1'-2"	1'-2"	4-#7	2-3/4"	9	X	3 1/4"
G-6	—	—	—	(-11'-0")	—	—	1'-4"	1'-4"	4-#8	2-1/8"	5	X	4 1/2"
G-7	—	—	—	(-11'-0")	—	—	2'-0"	2'-0"	8-#8	2-1/8"	8	Y	5"
G-10	6'-0"	6'-0"	1'-6"	(-11'-0")	13-#5	13-#5	1'-6 1/2"	1'-6"	8-#6	2-1/8"	5	X	4 3/4"
H-3.2	4'-3"	4'-3"	1'-3"	(-11'-0")	6-#5	6-#5	1'-2"	1'-2"	4-#7	2-3/4"	9	X	3 1/4"

\* - HIGH STRENGTH A 325 BOLTS

COLUMN NUMBER	FOOTING				PIER			ANCHOR BOLTS				PROJ.	
	A	B	C	D ELEV.	E	F	G ELEV.	VERTICAL REINF.	NUMBER & SIZE	H	J		ORIENTATION
H-4.2	4'-9"	4'-9"	1'-3"	(-11'-0")	8-#5	8-#5	1'-2"	1'-2"	4-#7	2-3/4"	9	X	3 1/4"
H-5.2	4'-3"	4'-3"	1'-3"	(-11'-0")	6-#5	6-#5	1'-2"	1'-2"	4-#7	2-3/4"	9	X	3 1/4"
H6	5'-9"	5'-9"	1'-6"	(-11'-0")	12-#5	12-#5	1'-4"	1'-4"	4-#8	2-1/8"	5	X	4 1/2"
H7	—	—	—	(-11'-0")	—	—	2'-0"	2'-0"	8-#8	2-1/8"	8	Y	5"
H8	REF.	H-3-20261	—	SECT 880	—	—	—	—	—	—	—	—	—
H9	—	—	—	—	—	—	—	—	—	—	—	—	—
H10	—	—	—	(-11'-0")	—	—	1'-6 1/2"	1'-3"	8-#7	2-1/8"	5	X	5"
J-2.4	2'-9"	2'-9"	1'-0"	(-9'-0")	4-#4	4-#4	1'-0"	1'-1 1/2"	4-#6	2-3/4"	4	Y	2 3/4"
J-3.2	4'-0"	4'-0"	1'-0"	(-9'-0")	10-#4	10-#4	1'-0"	1'-0"	4-#6	2-3/4"	5	Y	2 3/8"
J-4.2	4'-3"	4'-3"	1'-3"	(-11'-0")	6-#5	6-#5	1'-0"	1'-0"	4-#6	2-3/4"	5	Y	2 3/8"
J-5.2	4'-0"	4'-0"	1'-0"	(-11'-0")	10-#4	10-#4	1'-0"	1'-0"	4-#6	2-3/4"	5	Y	2 3/8"
J6	5'-9"	5'-9"	1'-6"	(-11'-0")	12-#5	12-#5	1'-4"	1'-4"	4-#8	2-1/8"	5	X	4 1/2"
J7	—	—	—	(-11'-0")	—	—	1'-8"	1'-8"	8-#7	REF. DET. 12	H-3-20264	—	—
J8	REF.	H-3-20263	—	—	—	—	—	—	—	—	—	—	—
J9	7'-6"	7'-6"	1'-9"	(-11'-0")	17-#6	17-#6	1'-8"	1'-8"	8-#7	2-1/8"	8	Y	4"
J10	REF.	H-3-20263	—	—	—	—	—	—	—	—	—	—	—
JC-7.3	—	—	—	—	—	—	—	—	—	—	—	—	—
JC-8	—	—	—	—	—	—	—	—	—	—	—	—	—
JC-8.6	—	—	—	—	—	—	—	—	—	—	—	—	—
JC-9.3	—	—	—	—	—	—	—	—	—	—	—	—	—
K6	3'-6"	3'-6"	1'-0"	(-11'-0")	6-#4	6-#4	1'-6 1/2"	1'-0"	6-#6	2-1/8"	5	X	3 3/4"
K-10	—	—	—	(-11'-0")	—	—	1'-6 1/2"	1'-0"	6-#6	2-1/8"	5	X	3 3/4"
L-6	3'-6"	3'-6"	1'-0"	(-11'-0")	6-#4	6-#4	1'-6 1/2"	1'-0"	6-#6	2-1/8"	5	X	3 3/4"
L-7.2	3'-6"	3'-6"	1'-0"	(-11'-0")	6-#4	6-#4	1'-2"	1'-0"	4-#6	2-3/4"	5	X	3
L-10	3'-6"	3'-6"	1'-0"	(-11'-0")	6-#4	6-#4	1'-6 1/2"	1'-0"	6-#6	2-1/8"	5	X	3 3/4"
LF-7.3	4'-0"	4'-0"	1'-0"	(-11'-0")	10-#4	10-#4	1'-0"	1'-0"	4-#6	2-3/4"	5	Y	2 3/8"
LF-8	4'-0"	4'-0"	1'-0"	(-11'-0")	10-#4	10-#4	1'-0"	1'-0"	4-#6	2-3/4"	5	Y	2 3/8"
LF-8.6	4'-0"	4'-0"	1'-0"	(-11'-0")	10-#4	10-#4	1'-0"	1'-0"	4-#6	2-3/4"	5	Y	2 3/8"
LF-9.3	4'-0"	4'-0"	1'-0"	(-11'-0")	10-#4	10-#4	1'-0"	1'-0"	4-#6	2-3/4"	5	Y	2 3/8"
M-6	3'-0"	3'-0"	1'-0"	(-11'-0")	5-#4	5-#4	1'-6 1/2"	1'-4"	6-#6	2-1/8"	5	X	3 3/4"
M-7	3'-9"	3'-9"	1'-0"	(-11'-0")	8-#4	8-#4	1'-0"	1'-6 1/2"	6-#6	2-1/8"	5	Y	3 3/4"
M-8	3'-9"	3'-9"	1'-0"	(-11'-0")	8-#4	8-#4	1'-0"	1'-6 1/2"	6-#6	2-1/8"	5	Y	3 3/4"
M-9	3'-9"	3'-9"	1'-0"	(-11'-0")	8-#4	8-#4	1'-0"	1'-6 1/2"	6-#6	2-1/8"	5	Y	3 3/4"
M-10	3'-0"	3'-0"	1'-0"	(-11'-0")	5-#4	5-#4	1'-6 1/2"	1'-4"	6-#6	2-1/8"	5	X	3 3/4"



TYPICAL GRADE BEAM DETAILS  
USE SAME GRADE BEAM WITHOUT CURB UNDER BLOCK WALLS

NOTE:  
FOR LOCATION OF GRADE BEAMS SEE PLANS @ EL. 0'-0". G.B. DENOTES GRADE BEAM!

WIDTH VARIES, SEE PLANS

CONCRETE PROTECTION FOR REINFORCEMENT SHALL BE AS FOLLOWS UNLESS OTHERWISE NOTED:  
Footings: 3" Clear Bottom and Sides  
Walls & Slabs: Faces exposed to weather or earth: 2" clear #6 & over 1-1/2" clear #5 & under Interior or unexposed faces: 3/4" clear  
Beams - Columns - Girders: 1-1/2" clear to ties, stirrups, or spirals

APPROVED FOR CONST. BY: [Signature] DATE: [Date]

APPROVED FOR PURCHASE BY: [Signature] DATE: [Date]

SCALE: NONE

DRAWN BY: S. J. HINES DATE: [Date]

CHECKED BY: [Signature] DATE: [Date]

PROJECT: H-3-20207

DWG. NO.: H-3-20207

REVISIONS:

NO.	DESCRIPTION	REV. BY	DATE
1	E-5, E-6 CHECKED FOR AS-BUILT		
2	B.L.F-8.6, L.F-9.3, M-8, M-9, J.C-8, J.C-8.6, J.C-9.3, L.F-7, J-8, J-9, J-10, J.C-7.3, CHANGED DATA FOR COL. NOS.		
3	DEL WAS (11'-0" OR 11'-0"-6", 4'-9")		

DRAWING TITLE: STRUCTURAL CONCRETE FOUNDATION SCHEDULE AND DETAILS

INDEX NO.: 0900

DATE: 12/11/61