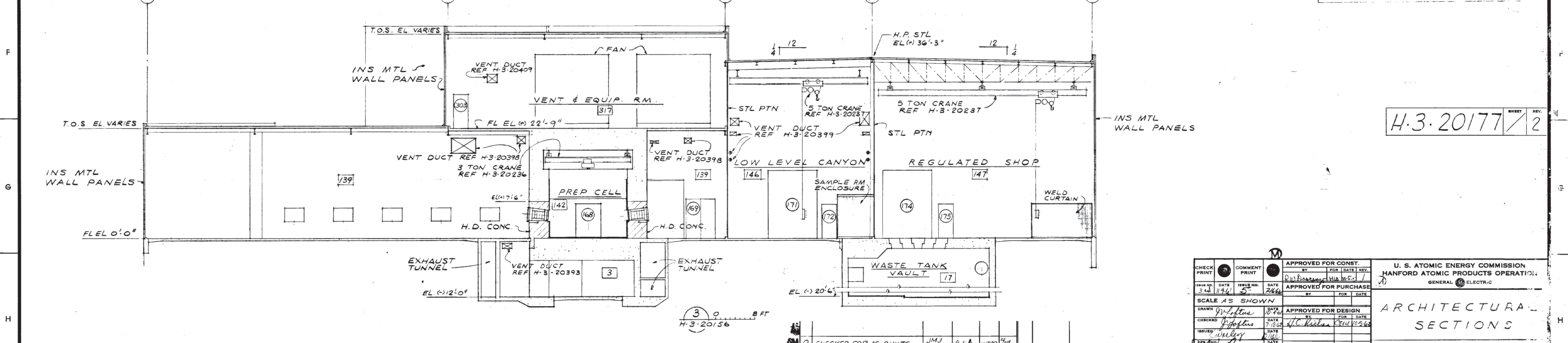
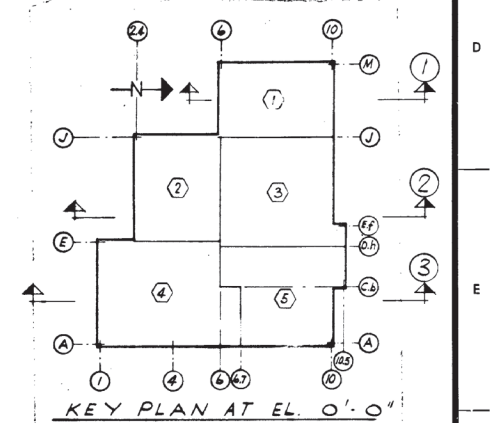
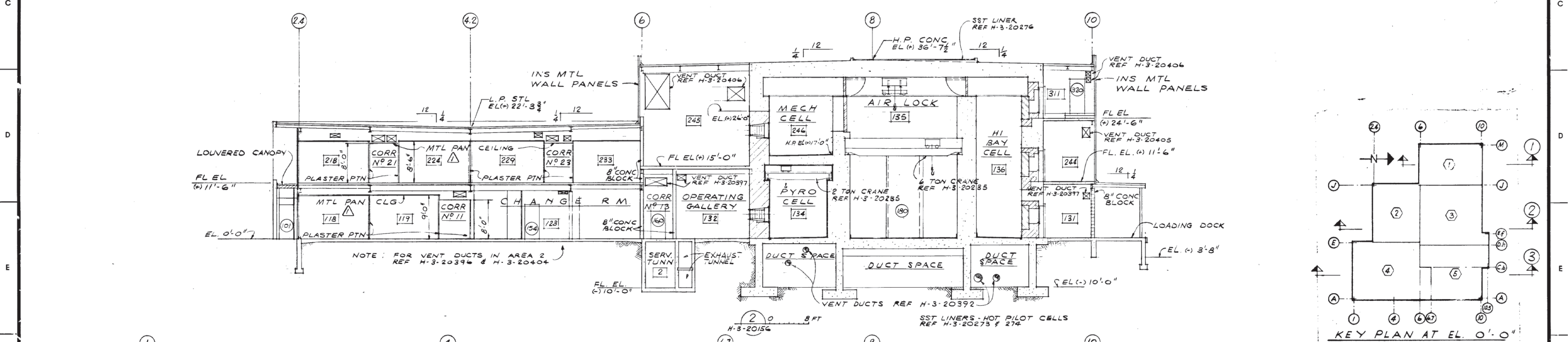
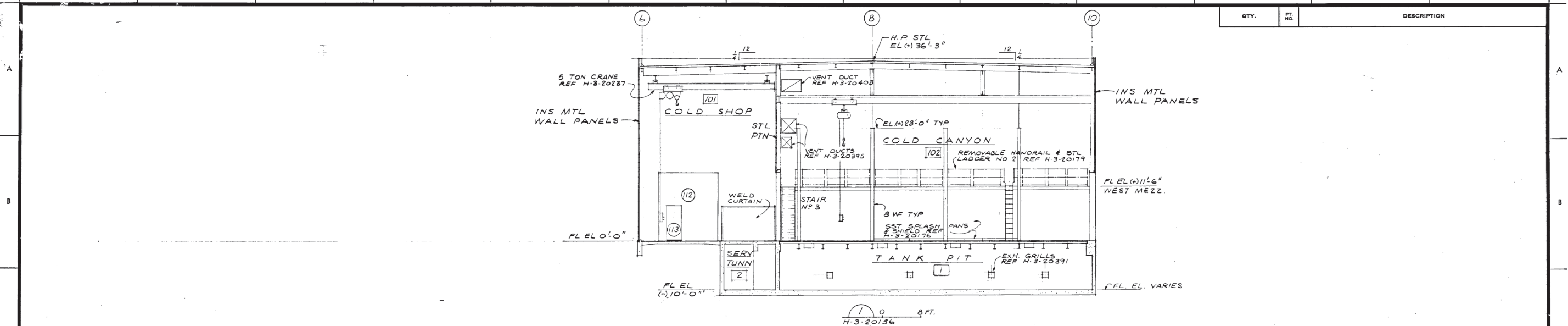


QTY.	PT. NO.	DESCRIPTION
------	---------	-------------



H.3.20177/2

CHECK PRINT	COMMENT PRINT	APPROVED FOR CONST.	U. S. ATOMIC ENERGY COMMISSION
REV. NO. 3	DATE 11/21/67	DATE 11/21/67	HANFORD ATOMIC PRODUCTS OPERATION
SCALE AS SHOWN	APPROVED FOR PURCHASE	APPROVED FOR DESIGN	GENERAL ELECTRIC
DRAWN G. J. P. / J. P. / J. P.	DATE 11/21/67	DATE 11/21/67	ARCHITECTURAL SECTIONS
CHECKED G. J. P. / J. P. / J. P.	DATE 11/21/67	DATE 11/21/67	FUELS RECYCLE PILOT PLANT
ISSUED G. J. P. / J. P. / J. P.	DATE 11/21/67	DATE 11/21/67	BLDG. NO. 324
PROJECT CAH 916	INSTR. NO. 12479	CLASSIFICATION	INDEX NO. 080
DATE 10/6/67	DATE 10/6/67	DATE 10/6/67	DWG. NO. H.3.20177

NO.	DESCRIPTION	REV. BY	DATE	APP'D BY	FOR DATE	REFERENCE DRAWINGS	NEXT USED ON
2	CHECKED FOR US-BUILTS	JMJ	4-28-65	PJB	11/21/67	H-3-20150 DRAWING LIST	
1	E-S WAS PLAS CLG ZONE D-4	J.V.L.	10-24-62	H.K.L.	03-14		