
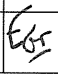


WASHINGTON CLOSURE HANFORD	Job No. 14655
-----------------------------------	----------------------

SUPPLIER/SUBCONTRACTOR DOCUMENT STATUS STAMP

- 1. Work may proceed
- 2. Revise and resubmit. Work may proceed prior to resubmission.
- 3. Revise and resubmit. Work may proceed prior to resubmission subject to resolution of indicated comments.
- 4. Revise and resubmit. Work may not proceed.
- 5. Permission to proceed not required.

Permission to proceed does not constitute acceptance or approval of design details, calculations, analyses, test methods, or materials developed or selected by the supplier/subcontractor and does not relieve supplier/subcontractor from full compliance with contractual obligations or release any "holds" placed on the contract.

	CIVIL/STRUCTURAL/ ARCHITECTURAL/ GEOTECHNICAL	ELECTRICAL	MECHANICAL	PROCESS/NUCLEAR	CADD	PROJECT REP.	ENVIRONMENTAL	WASTE MANAGEMENT	SAFETY	INDUSTRIAL HYGIENE	FIRE PROTECTION	QA	RADCON	FIELD ENGINEER	TRAINING	OTHER	
CHECK REVIEW REQUIREMENT						x											/
REVIEWED BY																	

[Handwritten Signature]

Project Engineer/STR

Date 10-6-15

DOCUMENT ID NUMBER

S037528A00

05-004A

034A

SC/P.O. No.

SSRS ITEM

SUBMITTAL

8

7

6

5

4

3

2

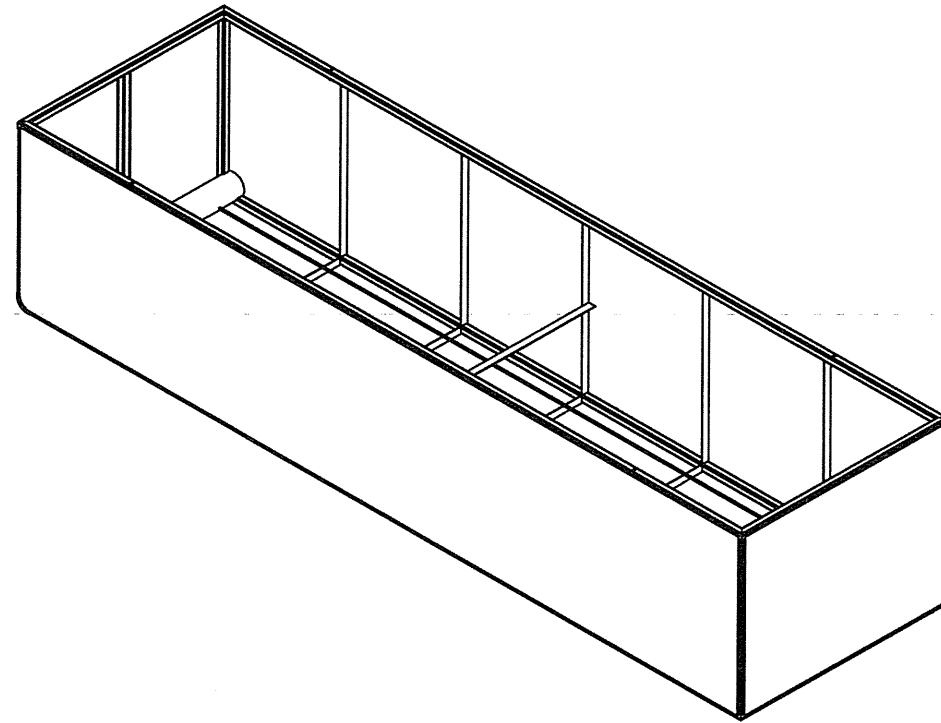
1

PARTS LIST/MATERIAL LIST

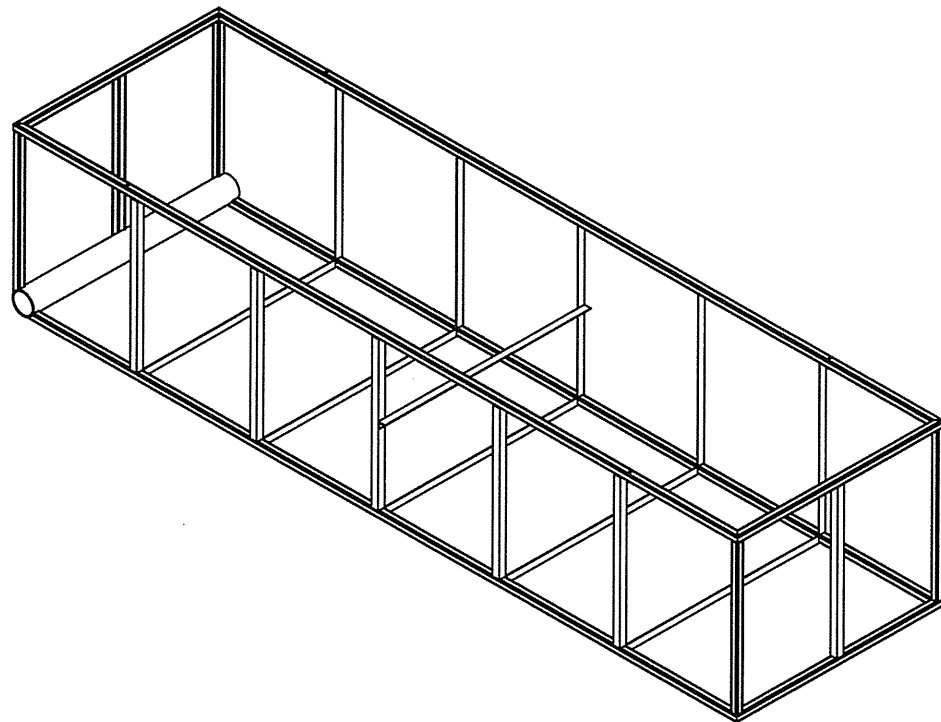
QTY - QCD	QTY - QTD	PARTS / DASH NUMBER	NOMENCLATURE/DESCRIPTION	MATERIAL/REFERENCE	SHEET	ITEM NO
	X	-010	LINER BOX WELDMENT		2	1
	X	1 -020	LINER BOX FRAME WELDMENT		3	2
						3
						4
						5
4			HEAVY HEX NUT, 1/2-13UNC-2B	ASTM A563	4	6
	AR		SHEET, 12 GAUGE	ASTM A1011/A1011M, CS TYPE B	2	7
	AR		REBAR, #4	ASTM A615, GR 60	2	8
2		-001	PIPE PLUG, 12 GAUGE	ASTM A1011/A1011M, CS TYPE B	4	9
	AR		HSS, 2 X 2 X 3/16 THK	ASTM A500	3	10
	AR		ANGLE, 2 X 2 X 3/16 THK	ASTM A36	3	11
	AR		PIPE, #6 SCH 40	ASTM A53	4	12

GENERAL NOTES: (UNLESS OTHERWISE SPECIFIED)

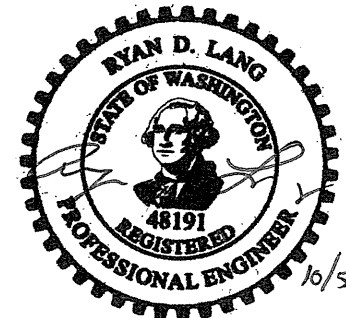
- DIMENSIONS ARE IN INCHES.
- REMOVE ALL BURRS AND BREAK SHARP EDGES.
- TOLERANCES SHALL BE AS FOLLOWS:
FRACTIONS = ±1/2
ANGLES = ±1°
- WELD AND INSPECT COMPONENTS PER AWS D1.1 AS APPLICABLE. WELD PROCEDURES AND QUALIFICATIONS PER ASME SECTION IX ARE ACCEPTABLE. ALL WELDS SHALL BE VISUALLY INSPECTED TO ENSURE NO CRACKS ARE PRESENT. VT WELDS AT FINAL PASS.
- COPE HSS ITEM 10 AND ANGLE ITEM 11 AS REQUIRED FOR FIT UP.
- LOCATE IDENTIFICATION LABELING AND WEIGHT LABELING IN APPROXIMATE LOCATION AS SHOWN.
TEXT CONTENTS: CEES-12-351-M-017 2100 LBS EMPTY
TEXT TYPE: BLOCK
TEXT MATERIAL: ENAMEL
TEXT COLORS: WHITE
TEXT SIZE: MIN 2" HIGH CHARACTERS
- LOCATE LABELING IN APPROXIMATE LOCATION AS SHOWN.
TEXT CONTENTS: FRONT
TEXT TYPE: BLOCK
TEXT MATERIAL: ENAMEL
TEXT COLORS: WHITE
TEXT SIZE: MIN 2" HIGH CHARACTERS
- OPTION - FABRICATOR MAY UTILIZE PANEL BRAKES IN LINER SKIN.



ISOMETRIC VIEW
SCALE: NTS



ISOMETRIC VIEW-FRAME
SCALE: NTS



REF NUMBER	TITLE	REV NO	DESCRIPTION	REV BY	DATE	DESIGNED	CHECKED	ENGINEER	PROJECT MANAGER
		1	INCORPORATES CE-ECN-13-389-007.	JTF	10/5/15				

NAME	DATE
JTF FOSS	09/18/15
P MCELROY	9/24/15
R LANG	9/24/15
J YUNKER	9/24/15
C HENDERSON	9/24/15

Columbia Energy AND ENVIRONMENTAL SERVICES	
RO/RO LINER BOX	
SIZE: F	DWG NO: CEES-12-351-M-017
SCALE AS SHOWN	SHEET 1 OF 4

8

7

6

5

4

3

2

1

F

E

D

C

B

A

F

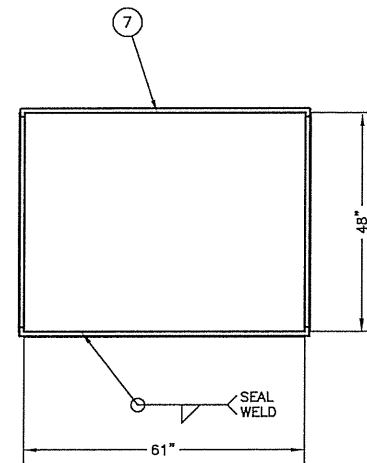
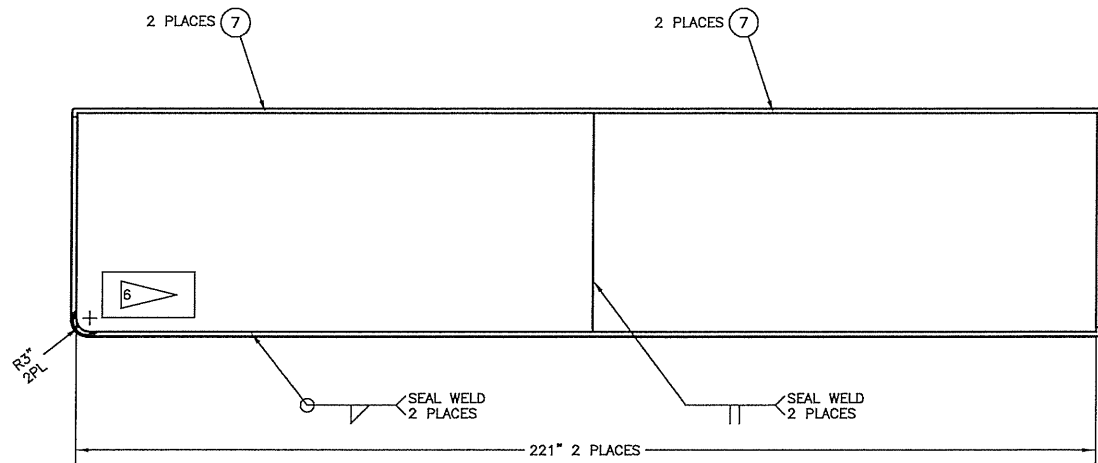
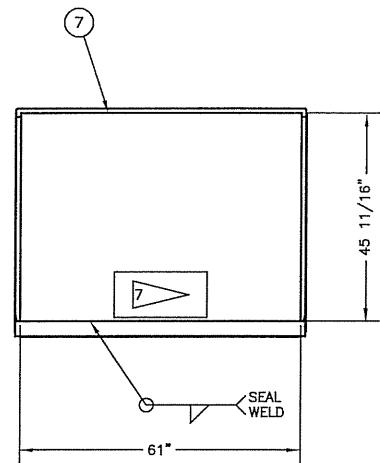
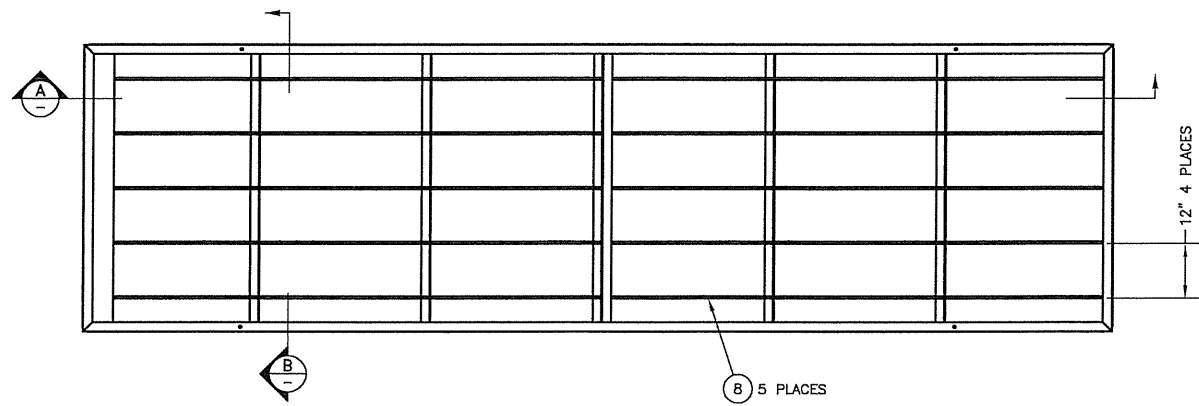
E

D

C

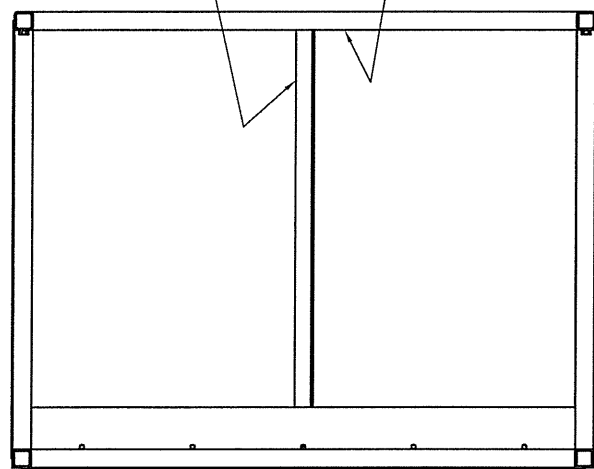
B

A

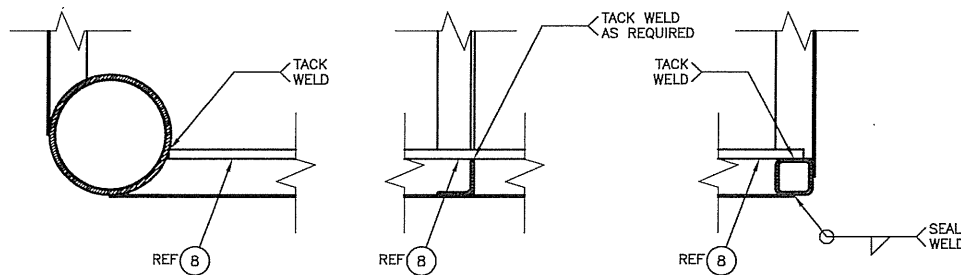


1 LINER BOX WELDMENT
SCALE: 1/16

TYPICAL INSIDE, ALL ANGLE TO SHEET 1/8 2-12
TYPICAL INSIDE, ALL HSS TO SHEET 1/8 2-12



B SECTION
SCALE: 1/8



A SECTION
SCALE: 1/4



REV	NO	DESCRIPTION	REV BY	DATE	DRAWING CHECKER	DATE	ENGINEER	DATE	PROJECT MANAGER	DATE
1		INCORPORATES CE-ECN-13-389-007.	JTF	10/5/15						

NAME	DATE
U. FOSS	09/16/15
P. MCELROY	9/24/15
R. LANG	9/24/15
J. YUNKER	9/24/15
C. HENDERSON	9/24/15

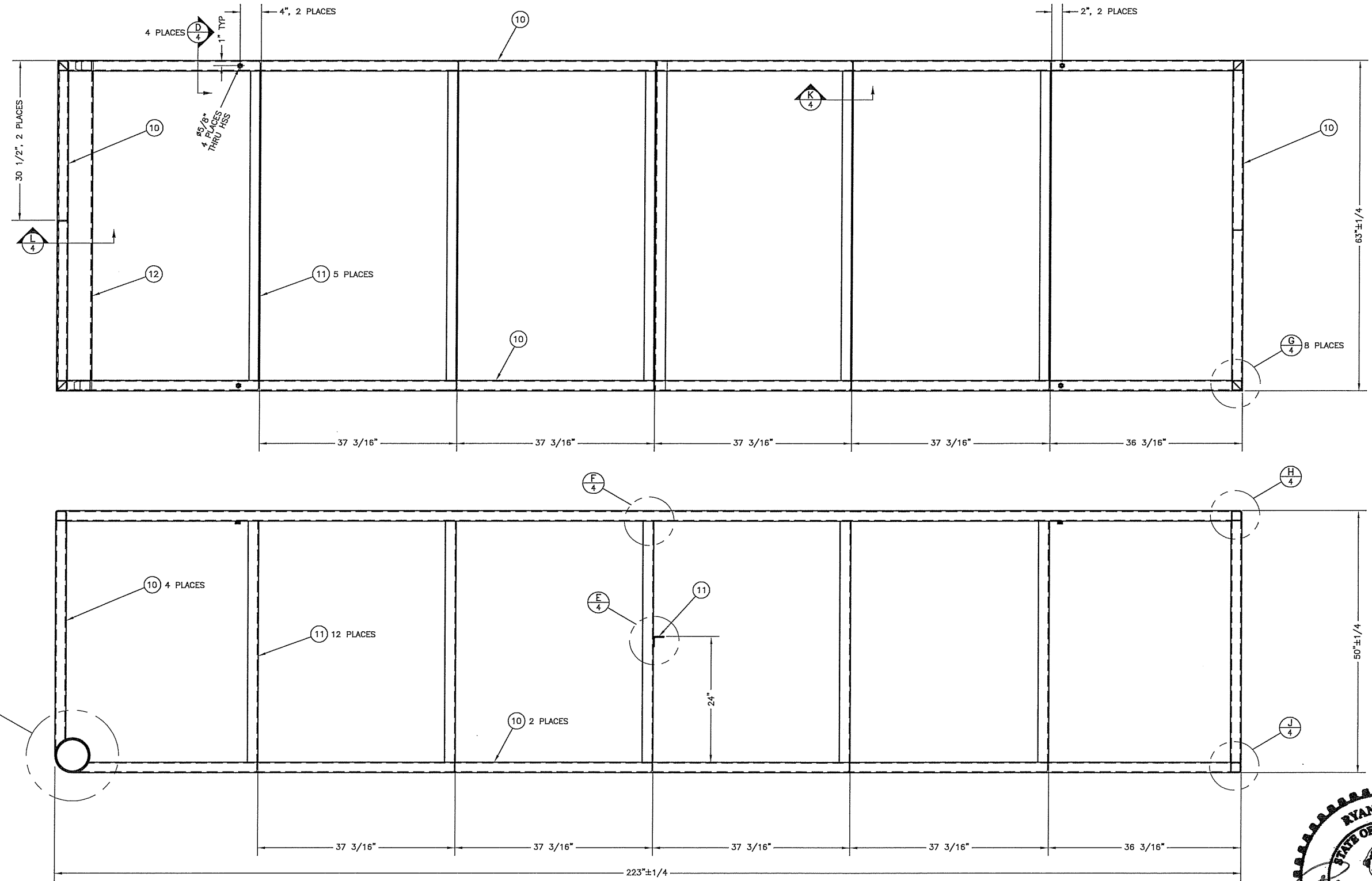
Columbia Energy AND ENVIRONMENTAL SERVICES
RO/RO LINER BOX

CEES-12-351-M-017 1

SCALE AS SHOWN SHEET 2 OF

8 7 6 5 4 3 2 1

F
E
D
C
B
A



2 LINER BOX FRAME WELDMENT
SCALE: 1/8



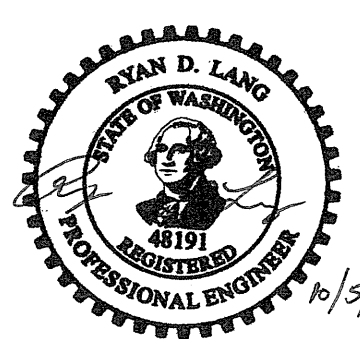
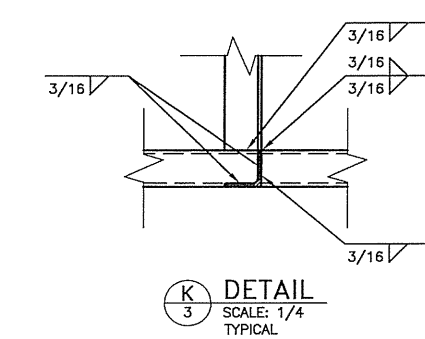
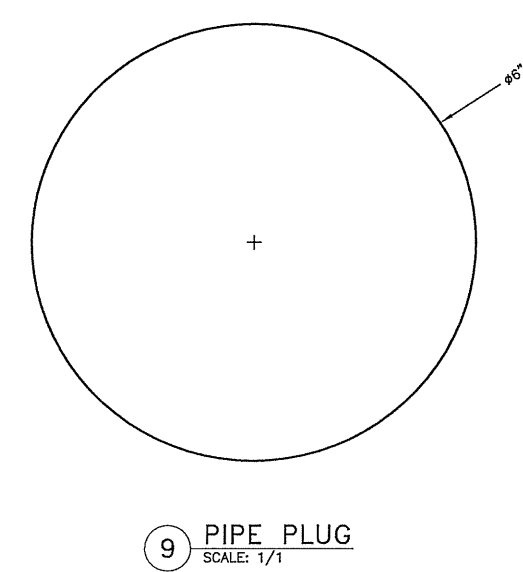
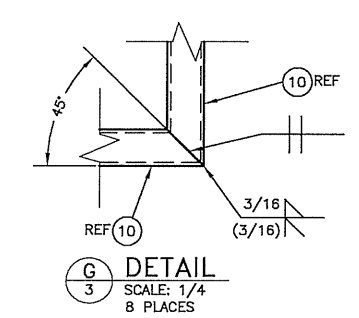
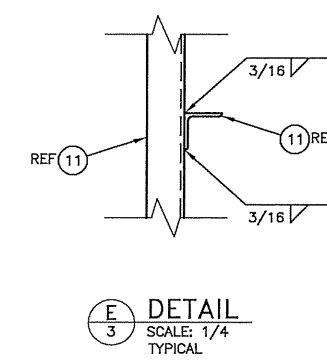
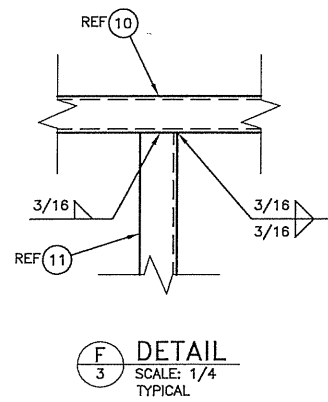
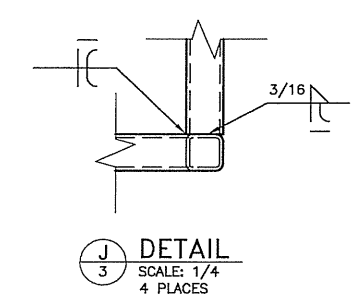
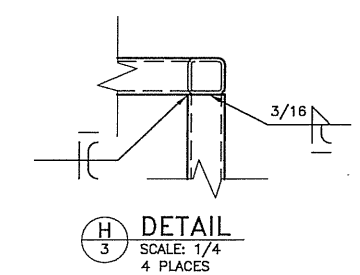
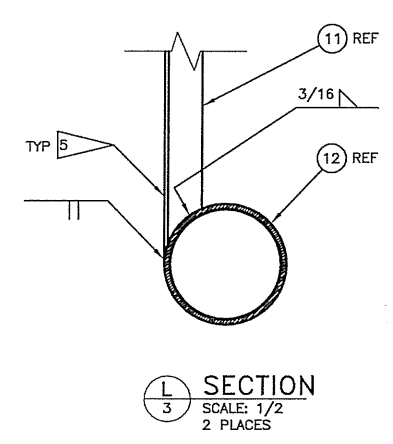
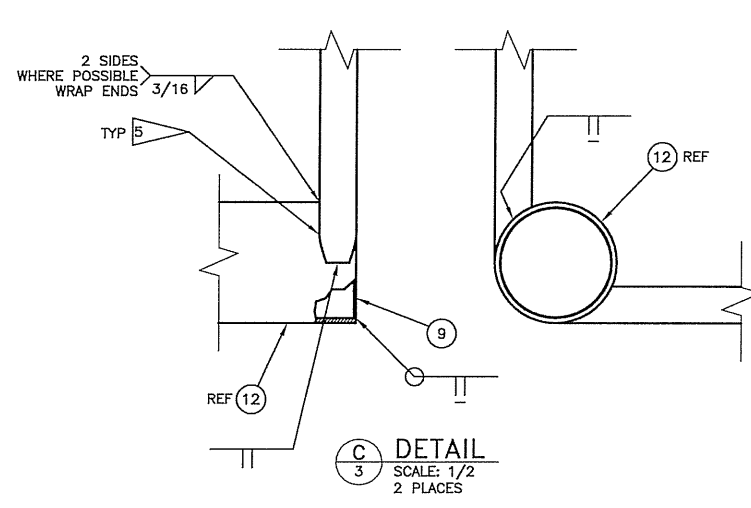
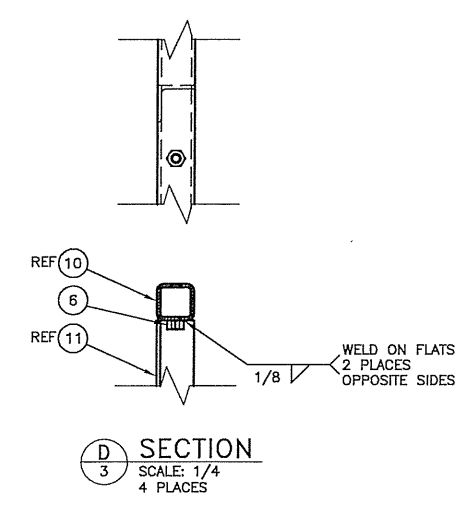
REF NUMBER	TITLE	REV	DATE	BY	CHECKED	DATE	DATE	DATE	DATE
1	INCORPORATES CE-ECN-13-389-007.	JTF	10/5/15						
DRAWING/DOCUMENT REFERENCES									
NEXT USED ON									
REVISIONS									

NAME	DATE	REV	DATE
J. FOSS	09/16/15		
P. MCCELROY	9/24/15		
R. LANG	9/24/15		
J. YUNKER	9/24/15		
C. HENDERSON	9/24/15		

PROJECT: RO/RO LINER BOX
 SHEET NO: CEES-12-351-M-017
 SHEET 3 OF 1

8 7 6 5 4 3 2 1

F E D C B A



REF NUMBER	TITLE	REV NO	DESCRIPTION	REV BY	DATE	DESIGNED	CHECKED	DATE	PROJECT MANAGER
1	INCORPORATES CE-ECN-13-389-007.	JTF		JTF	10/5/15				

NAME	DATE
J. BOSS	09/16/15
P. MCELROY	9/24/15
R. LANG	9/24/15
J. YUNKER	9/24/15
C. HENDERSON	9/24/15

Columbia Energy
 AND ENVIRONMENTAL SERVICES
RO/RO LINER BOX

SIZE: F
 SHEET NO: CEES-12-351-M-017
 SCALE: AS SHOWN
 SHEET 4 OF 7

8 7 6 5 4 3 2 1

A