

PROCUREMENT / CONTRACT SUBMITTAL	
APW <input type="checkbox"/>	AP <input checked="" type="checkbox"/>
A <input checked="" type="checkbox"/> conforms to the Contract Requirements	
B <input type="checkbox"/> Minor Comments - Approved With Exceptions as Corrected	
<input type="checkbox"/> Re-submittal required	<input type="checkbox"/> Re-submittal not required
C <input type="checkbox"/> Not Approved - Revise and Resubmit	
Sign: Rob Miles	Date: 11/7/19

ORIGINAL



CHPRC Contractor Document Submittal

Vendor/Subcontractor: COLUMBIA ENERGY AND ENVIRONMENTAL SERVICES

Contract Release No.: 53921-006

Submittal Number: 53921-006-SUB-006 011 Rev 01

Submittal Title: CEES-1454 Rev 1 Appendix F - CEES-19-755-M-005 R0

Submittal Status: A - Approved

Subcontract Submittal Type: AP - Approve

Date Received: 10/24/2019

Project: WBS 013.08.02.01.10

Action	Name	Date Time
Document Control	DAWN KRUPKE	10/28/2019 6:11 AM
Approved By	JOSHUA WOOD	11/7/2019 7:35 AM
BTR	ROB MILES	11/7/2019 5:24 PM

Comments / Discrepancies / Recommendations
Approved

PROCUREMENT / CONTRACT SUBMITTAL
 APX APX
 *X Deviates from the Contract Requirements
 *Minor Comments - Approved With Exceptions as Documented
 *No Submittal required. *No Submittal not required
 *No Approval - Review and Revisit
 Sign: Rob Miles Date: 11/7/19

CHPRC CONTRACTOR DOCUMENT SUBMITTAL FORM

(1) PROJECT NO. 53921	(2) CONTRACT NO./RELEASE NO. -006	(3) SUBMITTAL REGISTER NO. 015	(4) VERSION	(5) DATE PREPARED 10/24/2019
--------------------------	--------------------------------------	-----------------------------------	-------------	---------------------------------

(6) CONTRACTOR: Columbia Energy and Environmental Services, Inc. 1806 Terminal Drive Richland, WA 99354 SIGNATURE <u>Hailey Paine</u> DATE: <u>10/24/2019</u>	(7) TO: PROJECT RECORDS SPECIALIST MSIN: RECEIVED BY E-mail: PROJECT RECORDS SPECIALIST: DATE:
------------------------------------------------------------------------------------------------------------------------------------------------------------------------	---------------------------------------------------------------------------------------------------

(8) QTY/ E	(9) DOCUMENT NUMBER	(10) REV	(11) No. of pgs	(12) FORMAT (DWG, MFC, P3, GEN, PDF)	(13) TITLE / DESCRIPTION	(14) APPROVAL TYPE (AP, APW)	(15) ASSOCIATED SPEC OR SOW REF. NO.	(16) CHPRC REVIEW STATUS					
								A	B - NO	B - YES	C		
					"Final Design Submittal - Fabrication"								
E	53921-006-SUB-006-016	1	15	PDF	Appendix K - Fan Specification	AP,E,1	2.0, 3.1, 7.2, 8.1						
E	53921-006-SUB-006-008	1	3	PDF	CEES-1454 Rev 1 Appendix C- Exhaust Ductwork Mechanical Drawing	AP,E,1	2.0, 3.1, 7.2, 8.1						
E	53921-006-SUB-006-036	0	10	PDF	CEES-1454 Rev 1 Appendix DD - IEEE 627 Aging Analysis	AP,E,1	2.0, 3.1, 7.2, 8.1						
E	53921-006-SUB-006-011	1	2	PDF	CEES-1454 Rev 1 Appendix F - CEES-19-755-M-005 R0	AP,E,1	2.0, 3.1, 7.2, 8.1						
E	53921-006-SUB-006-012	1	6	PDF	CEES-1454 Rev 1 Appendix G - Rigid Mounting of Fan Analysis	AP,E,1	2.0, 3.1, 7.2, 8.1						
E	53921-006-SUB-006-015	1	4	PDF	CEES-1454 Rev 1 Appendix J - Minor Enhancements Additional Detail	AP,E,1	2.0, 3.1, 7.2, 8.1						
E	53921-006-SUB-006-017	1	2	PDF	CEES-1454 Rev 1 Appendix L - FAT Procedure	AP,E,1	2.0, 3.1, 7.2, 8.1						
E	53921-006-SUB-006-026	1	3	PDF	CEES-1454 Rev 1 Appendix U - VFD Cutsheet	AP,E,1	2.0, 3.1, 7.2, 8.1						
E	53921-006-SUB-006-027	1	13	PDF	CEES-1454 Rev 1 Appendix V - VFD Catalog Info	AP,E,1	2.0, 3.1, 7.2, 8.1						
E	53921-006-SUB-006-004	1	N/A	DWG	CEES-19-755-M-003-REV 1	AP,E,1	2.0, 3.1, 7.2, 8.1						
E	53921-006-SUB-006-024	1	18	PDF	CEES-1454 Rev 1 Appendix S - Exhaust Fan Catalog Cut Sheet	AP,E,1	2.0, 3.1, 7.2, 8.1						
E	53921-006-SUB-006-037	0	13	WORD	CEES-1480 R0, Fan Specification	AP,E,1	2.0, 3.1, 7.2, 8.1						

(17) SUBCONTRACTOR REMARKS (If this is a re-submittal to a previously approved submittal then explain why it is being re-submitted here.)

(18) REVIEWER DISTRIBUTION (HARD OR ELECTRONIC)		
NAME	NAME	NAME

PROCUREMENT / CONTRACT SUBMITTAL
 APW AP
 conforms to the Contract Requirements
 Minor Comments - Approved With Exceptions as Corrected
 Resubmittal required Resubmittal not required
 No Approval - Review and Resubmit
 Sign: Rob Miles Date: 11/7/19

CHPRC CONTRACTOR DOCUMENT SUBMITTAL FORM

(1) PROJECT NO. 53921	(2) CONTRACT NO./RELEASE NO. -006	(3) SUBMITTAL REGISTER NO. 015	(4) VERSION	(5) DATE PREPARED 10/24/2019
(19) CHPRC DOCUMENT APPROVER(S)		(20) DUE DATE BACK TO APPROVER(S)	(21) DUE DATE TO CONTRACTOR	
(22) SUMMARY OF COMMENTS (IF ANY)				
(23) BTR CONCURRENCE/APPROVAL: (NAME / SIGNATURE / DATE) / /		(25) SUBMITTAL FORMAT: (USED IN BLOCK 12) DWG = AutoCad GEN = Contractor's Format MFC = Microsoft Format Compatible P3 = Primavera Schedule PDF = Adobe Acrobat (Portable Document Format) HC = Hard Copy	(26) SUBMITTAL APPROVAL TYPE: (USED IN BLOCK 14) APW = Approval Required Prior to Work AP = Approval Required	(27) SUBMITTAL REVIEW STATUS: (USED IN BLOCK 16) A Conforms to the Contract Requirements B NO-No resubmit. Minor Comments. Approved with exceptions as corrected. B YES-Resubmit. Minor Comments. Approved to proceed; however resubmittal is required. C Revise and Resubmit
(24) PROJECT RECORDS SPECIALIST: <input type="checkbox"/> Submittal Version Complete <input type="checkbox"/> Partial Complete PROJECT RECORDS SPECIALIST _____ DATE: _____				

PROCUREMENT / CONTRACT SUBMITTAL
APW AP
A conforms to the Contract Requirements
B Minor Comments - Approved With Exceptions as Corrected
 Re-submittal required Re-submittal not required
C Not Approved - Revise and Resubmit
Sign: Rob Miles Date: 11/7/19

Appendix F

Safety Significant Equipment List

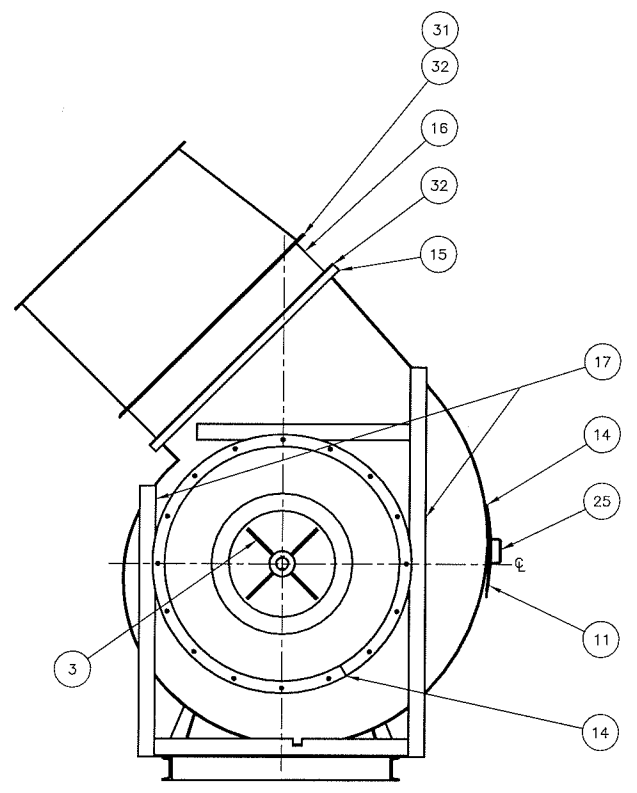
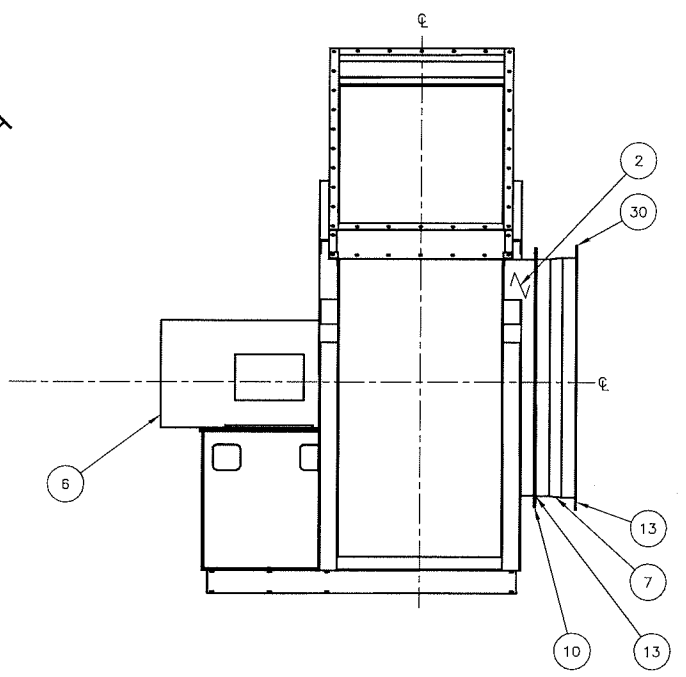
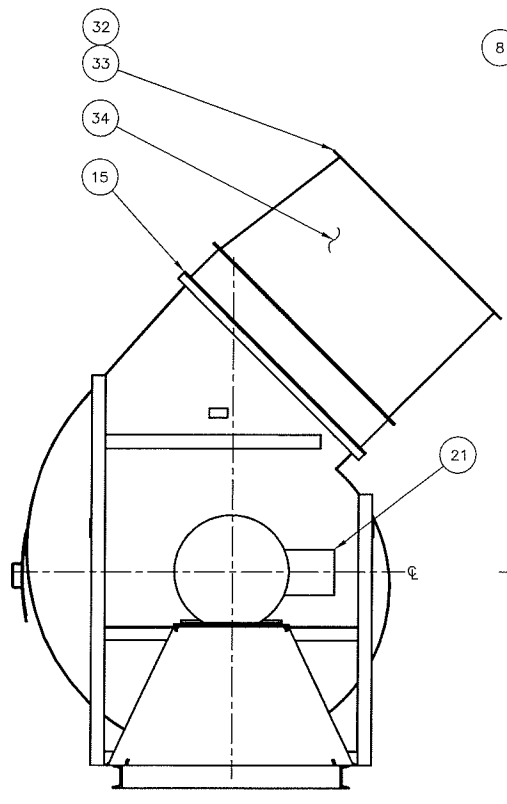
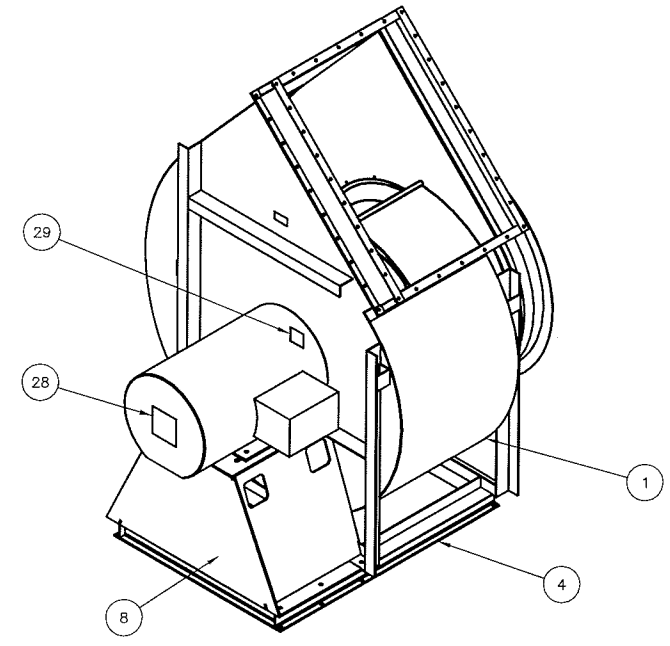
PROCUREMENT / CONTRACT SUBMITTAL
 APW AP
 Conforms to the Contract Requirements
 Minor Comments - Approved With Exceptions as Corrected
 Re-submittal required Re-submittal not required
 Not Approved - Revise and Resubmit
 Sign: Rob Miles Date: 11/7/19

SAFETY SIGNIFICANT EQUIPMENT LIST

ITEM	DESCRIPTION	COMMENTS
1	FAN HOUSING WELDMENT	
2	FAN INLET WELDMENT	
3	FAN WHEEL	
4	FAN SKID WELDMENT	
5	N/A	N/A
6	MOTOR	
7	INLET FLEXIBLE CONNECTION	
8	UNITARY BASE WELDMENT	
9	FLANGE FASTENERS	NOT SHOWN FOR CLARITY
10	INLET TO FAN HOUSING FASTENERS	NOT SHOWN FOR CLARITY
11	ACCESS COVER	
30	INLET FLEXIBLE CONNECTION TO EXISTING DUCT FASTENERS	

GENERAL SERVICE EQUIPMENT LIST

ITEM	DESCRIPTION	COMMENTS
12	ACCESS COVER FASTENERS	NOT SHOWN FOR CLARITY
13	INLET FLANGE GASKET	
14	ACCESS COVER GASKET	
15	OUTLET TO FAN HOUSING FASTENERS	NOT SHOWN FOR CLARITY
16	OUTLET FLEXIBLE CONNECTION	
17	LIFT POINTS	
18	VFD	NOT SHOWN FOR CLARITY
19	480 V POWER	NOT SHOWN FOR CLARITY
20	CONTROLS	NOT SHOWN FOR CLARITY
21	MOTOR JUNCTION BOX	
22	PAINT	NOT SHOWN FOR CLARITY
23	FAN ROTATION LABEL	NOT SHOWN FOR CLARITY
24	FAN NAME PLATE	NOT SHOWN FOR CLARITY
25	ACCESS COVER HANDLE	
26	OUTLET FLANGE GASKET	NOT SHOWN FOR CLARITY
27	FAN SHAFT SEAL	NOT SHOWN FOR CLARITY
28	NON-DRIVE END BEARING VIBRATION SENSOR	(BY OTHERS)
29	DRIVE-END BEARING VIBRATION SENSOR	(BY OTHERS)
31	OUTLET FLEXIBLE DUCT CONNECTION TO ADAPTER DUCT FASTENERS	NOT SHOWN FOR CLARITY
32	OUTLET FLANGE GASKET	NOT SHOWN FOR CLARITY
33	ADAPTER DUCT FASTENERS	NOT SHOWN FOR CLARITY
34	ADAPTER DUCT	



NAME	DATE	<p>291 T FAN REPLACEMENT SAFETY SIGNIFICANT LIST</p>
DESIGNED BY	10/22/19	
DRAWING CHECKER	10/23/19	
ENGINEER	10/23/19	
PROJECT MANAGER	10/23/19	
PROJECT MANAGER	10/23/19	SHEET 1 OF 1 SCALE AS SHOWN

REF NUMBER	TITLE	REV NO	DESCRIPTION	REV BY	DRAWING CHECKER	ENGINEER	ENGINEERING CHECKER	PROJECT MANAGER
DRAWING/DOCUMENT REFERENCES								
NEXT USED ON CEES-19-755-A-011								
REVISIONS								