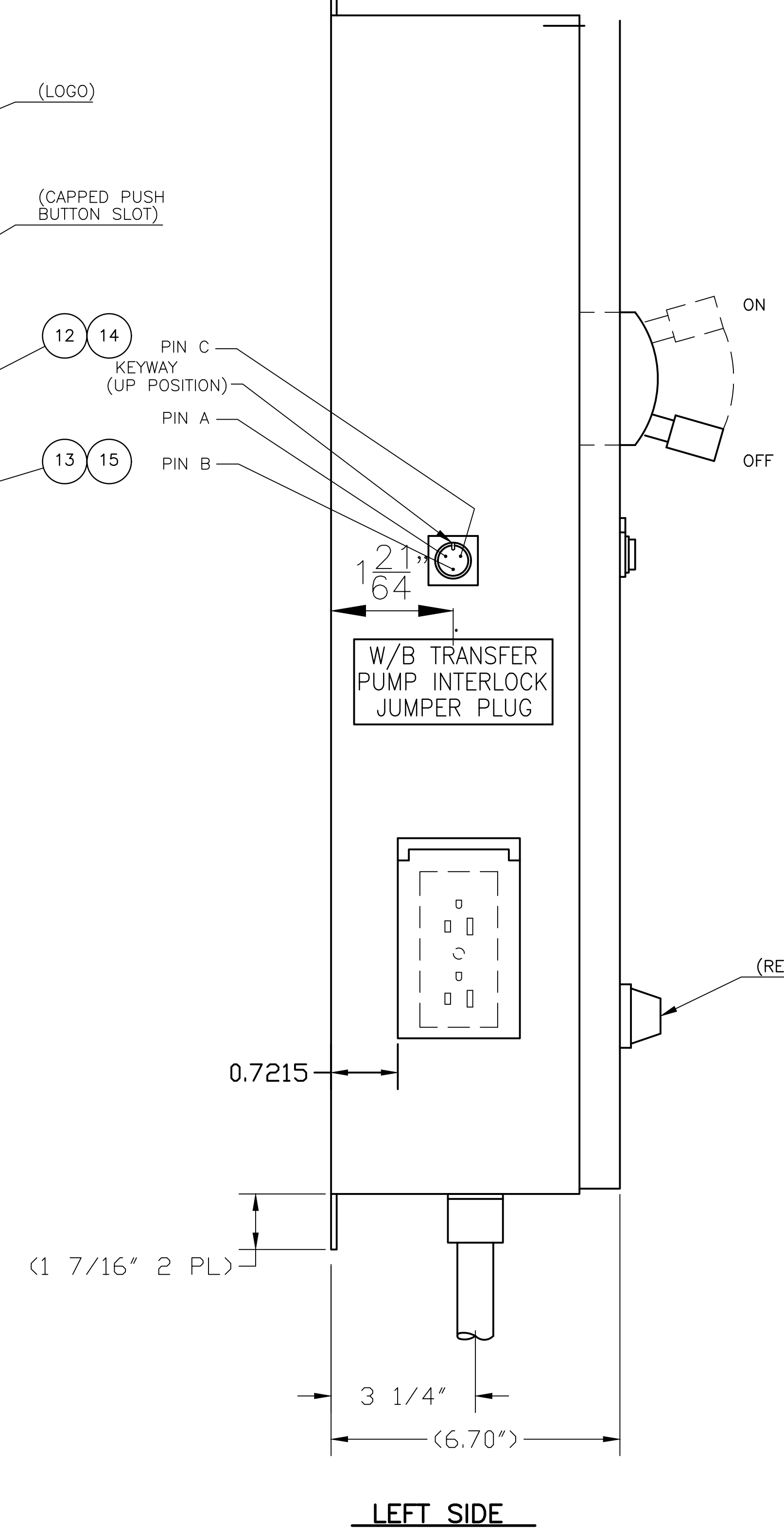
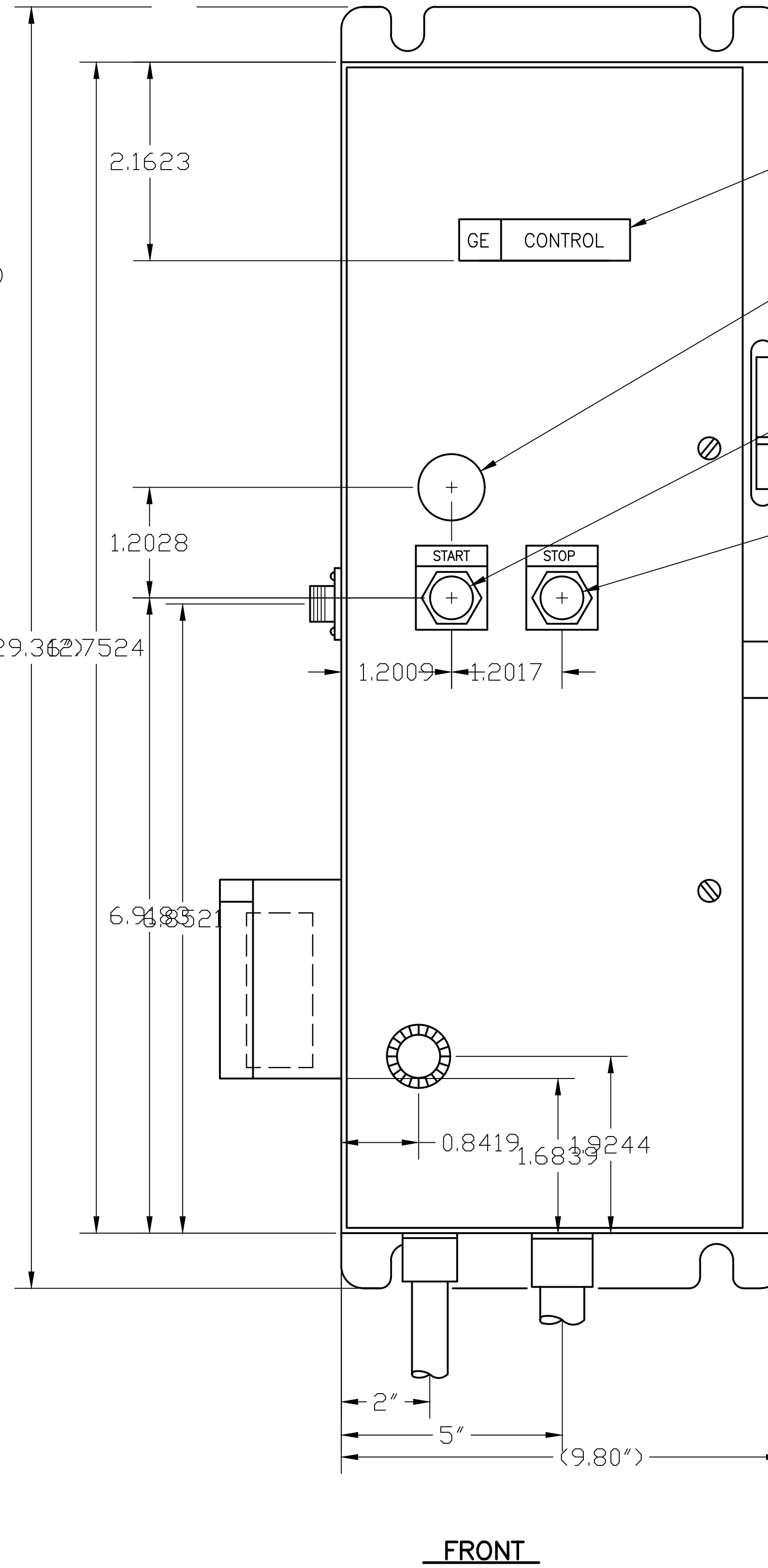
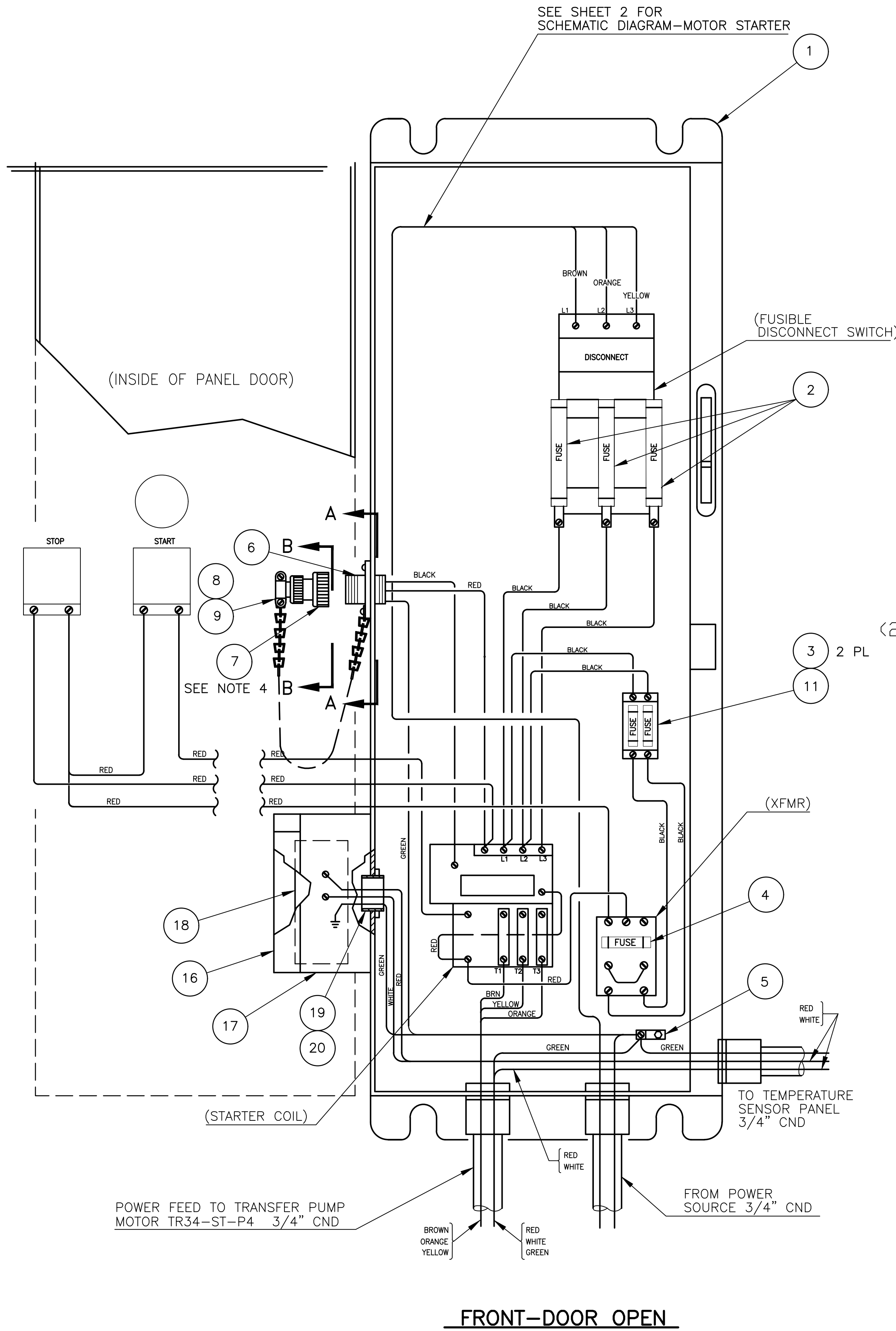
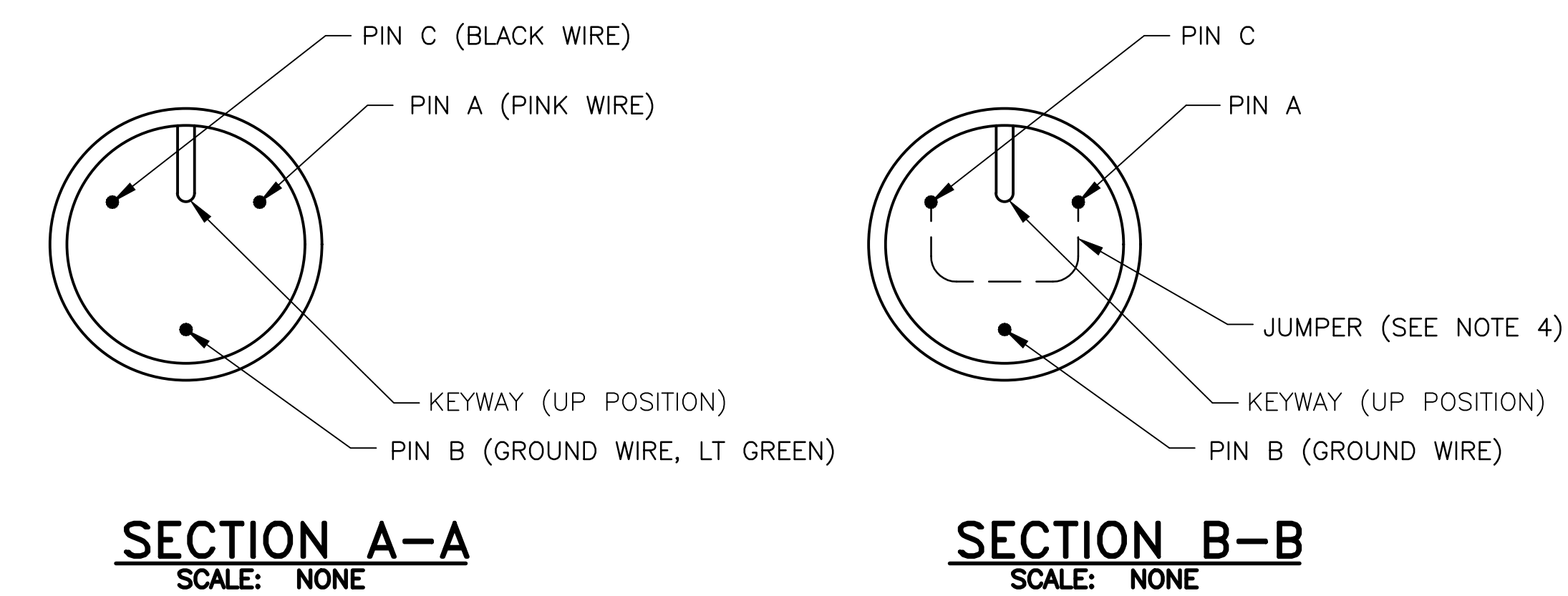


PARTS/MATERIAL LIST						
QTY	REF DES	PART/DASH NUMBER	NOMENCLATURE/DESCRIPTION	MATERIAL/REFERENCE	SHEET	ITEM NO.
1	TR34-EL-MS4	CR308C4	MAGNETIC STARTER COMBINATION, NEMA TYPE 4, NON-REVERSING, 29.36" x 9.80" x 6.70"	GE		1
3		TRS20R	FUSE, TIME DELAY, 20A	GOULD SHAWMUT		2
2		ATMR 1/2A	FUSE, 1/2A	GOULD SHAWMUT		3
1		NON 1/2A	FUSE, 1/2A	BUSS		4
1		(TA-2) 1717975	MECHANICAL LUG	(LLSCO) STONEWAY ELECTRIC		5
1		MS97-3100A SIZE 14S-1S	RECPT, WALL SOCKET, 3 CONTACT, FEMALE	(AMPHENOL) ALLIED ELECTRICS INC		6
1		MS97-3106A SIZE 14S-1P	PLUG, STRAIGHT, 3 CONTACT, MALE	(AMPHENOL) ALLIED ELECTRICS INC		7
1		MS97-3057-6	CABLE CLAMP	(AMPHENOL) ALLIED ELECTRICS INC		8
1			SECURITY CHAIN	SST		9
1		7527K42	TERMINAL BLOCK	McMASTER-CARR		10

PARTS/MATERIAL LIST CONTINUES ON SHEET 2



- GENERAL NOTES:**
- DIMENSION TOLERANCE SHALL BE $\pm 1/16$.
 - REMOVED
 - REMOVED
 - RUN WIRE JUMPER FROM PIN A TO PIN C.
 - ALL PARTS EXISTING, EXCEPT AS NOTED IN PARTS LIST. PARTS MAY BE REPLACED WITH LIKE AND LIKE FOR KIND, PER DA DISCRETION
 - ALL ITEMS ARE IN AS-FOUND IN FIELD CONDITION.
 - SEE NOTE 4 ON H-2-818404 SH 4.



1 ENCLOSURE-MOTOR STARTER
SH 2 SCALE: 3" = 1'-0"

DWG NUMBER	TITLE	REV	DESCRIPTION
H-2-818404	ELEC-CONT RMW LAND DSPL FACIL (TR-34)		
H-2-821552	WEIGHT/BALANCE PORTABLE		
H-2-818390	COVER SHEET		
		3	REVISED PER ECR-24-000191

Approved for Public Release; Further Dissemination Unlimited

DATE: Mar 12, 2024

CAUTION: NOT COMPLETE WITHOUT CURRENT CHANGE DOCUMENTS FROM DATABASE

ATTENTION: DESTROY THIS DOCUMENT BY SHREDDING MAY CONTAIN SENSITIVE INFORMATION

U.S. DEPARTMENT OF ENERGY
Richland Operations Office

TR34-ST-P4
MOTOR START CONTROL
ELEM / CAB LAYOUT

INDEX NO. 7308 7502

SIZE: F
DRAWING NUMBER: H-2-821564
SHEET: 1
REV: 3

SCALE: NONE