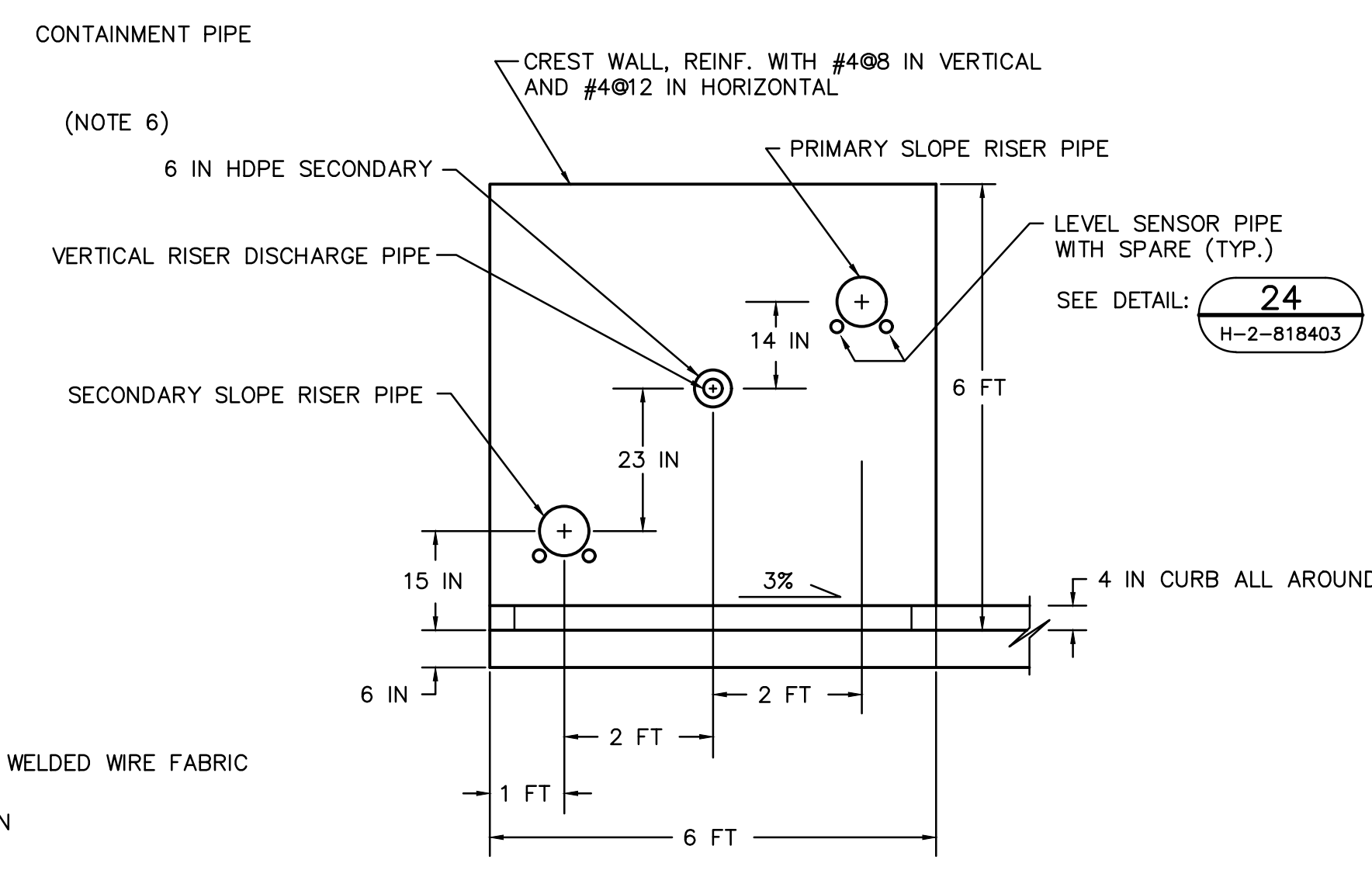


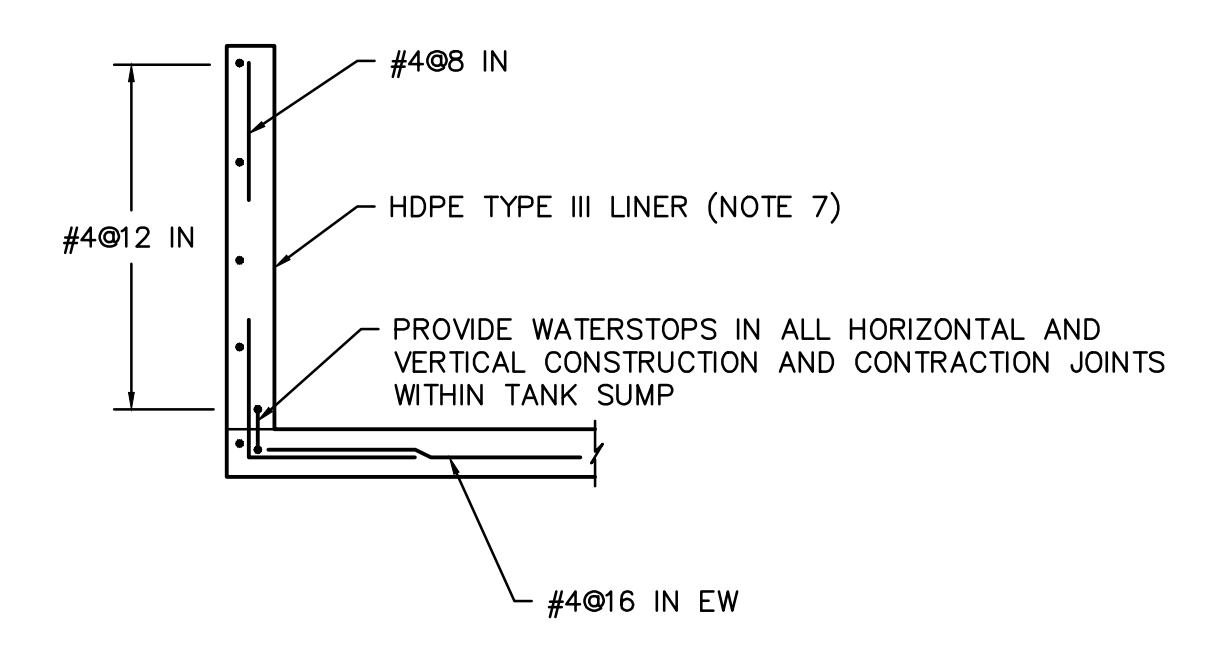
LEACHATE TEMPORARY STORAGE TANK & PIPING PLAN

SCALE IN FEET



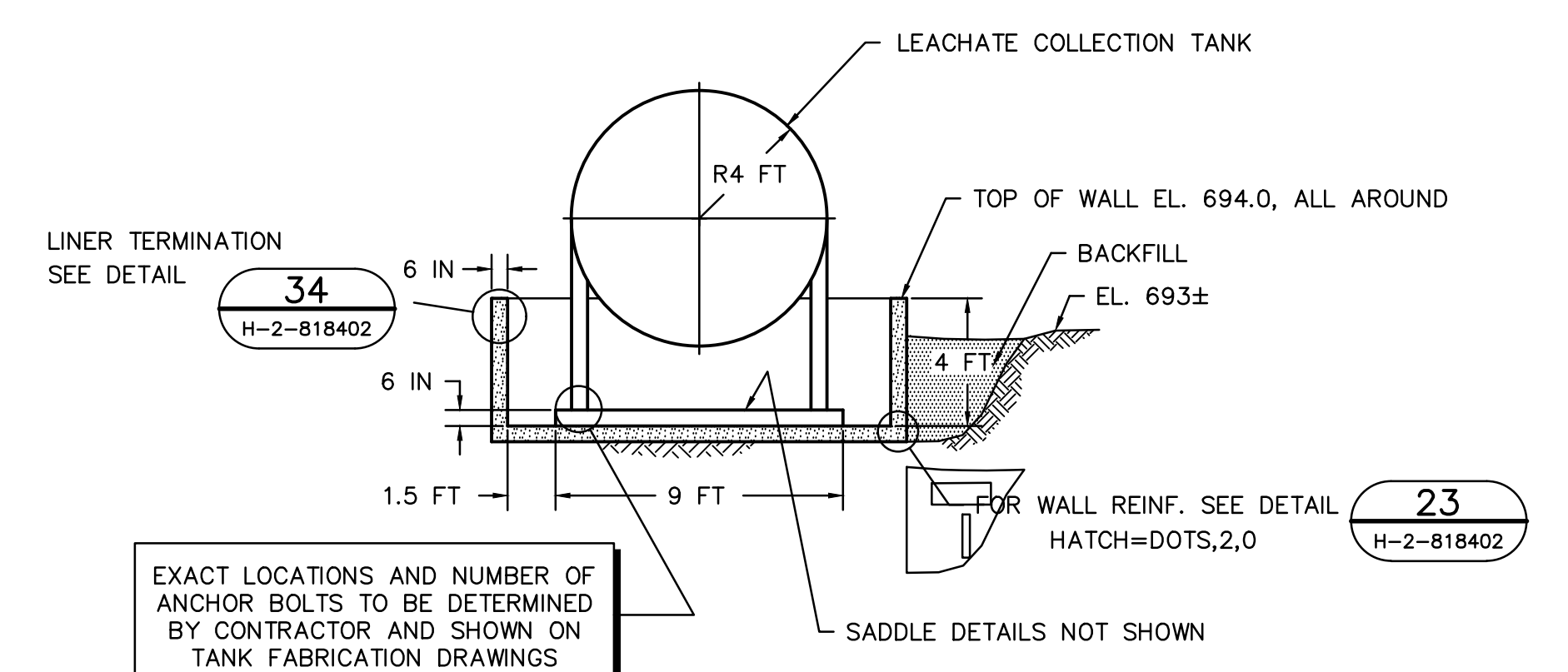
DETAIL 18

SCALE IN FEET



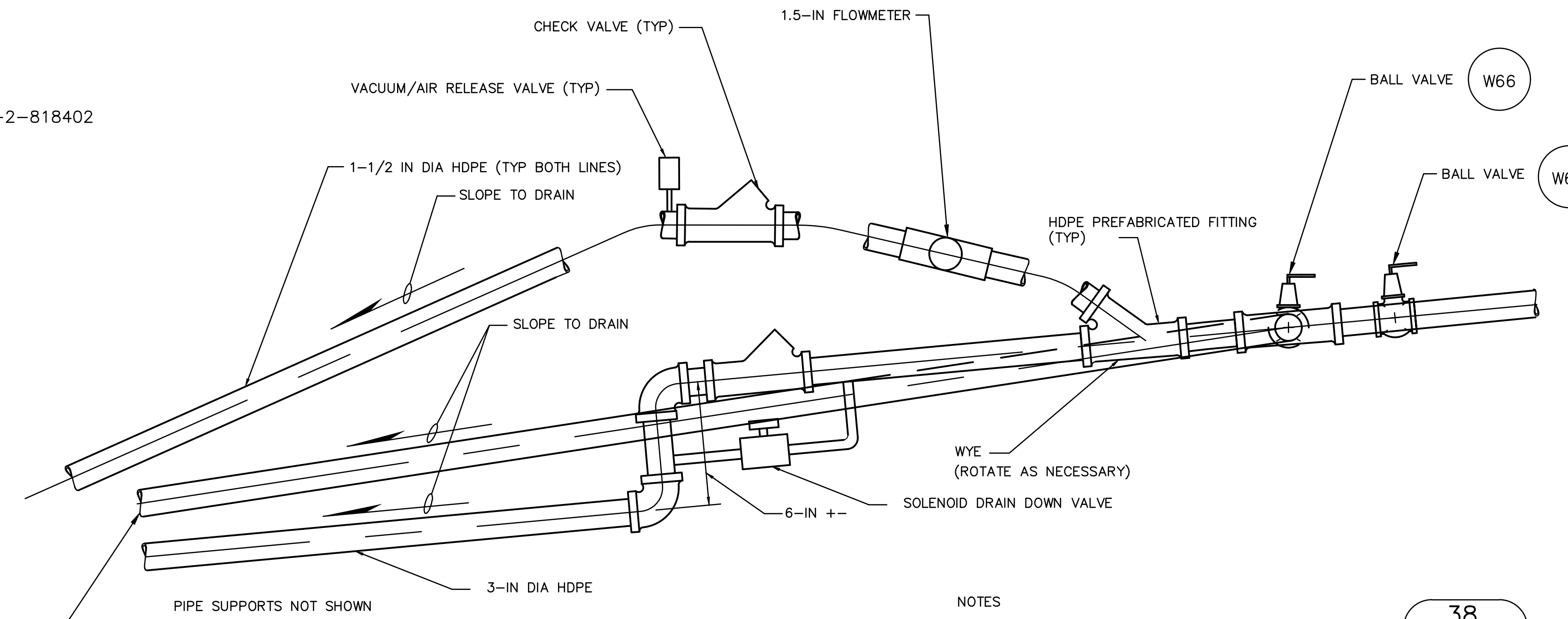
DETAIL 23

SCALE IN FEET



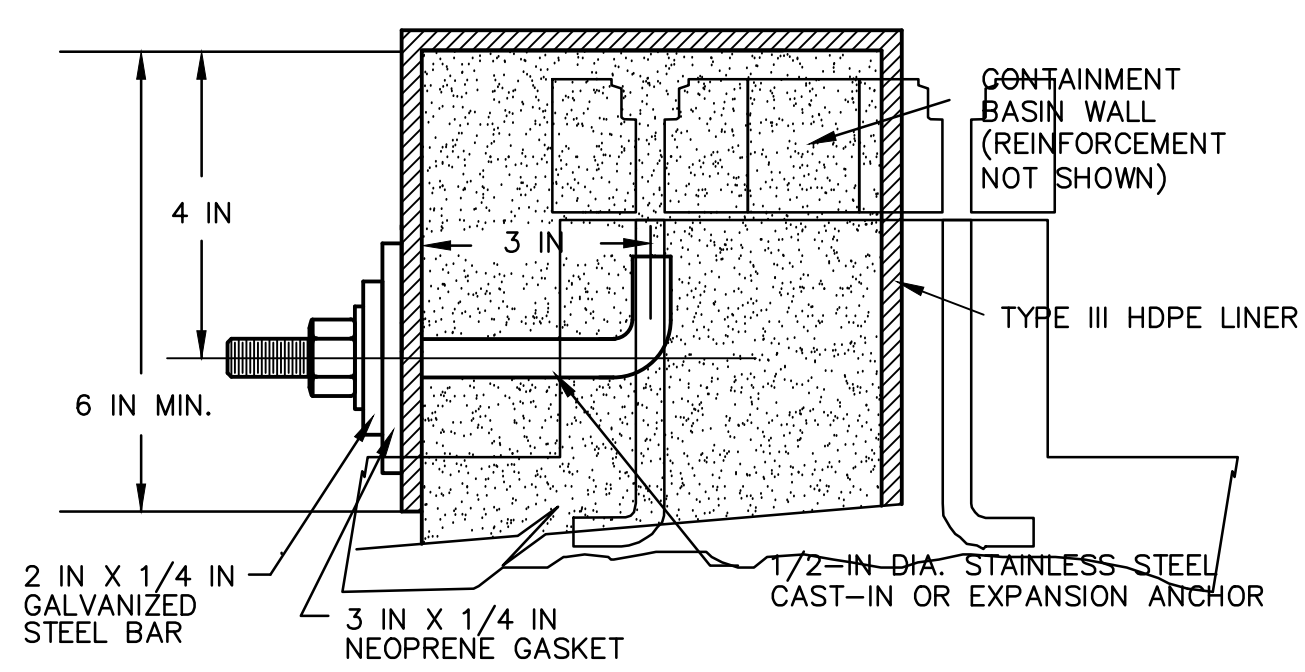
SECTION K

SCALE IN FEET



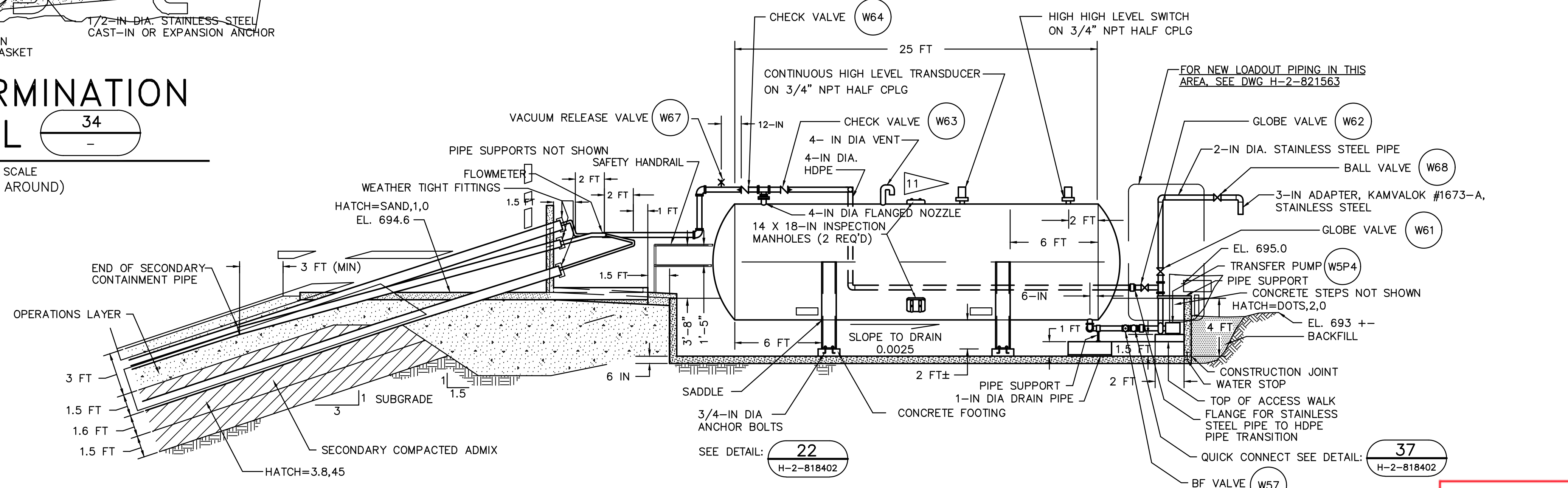
SECTION N

SCALE IN FEET



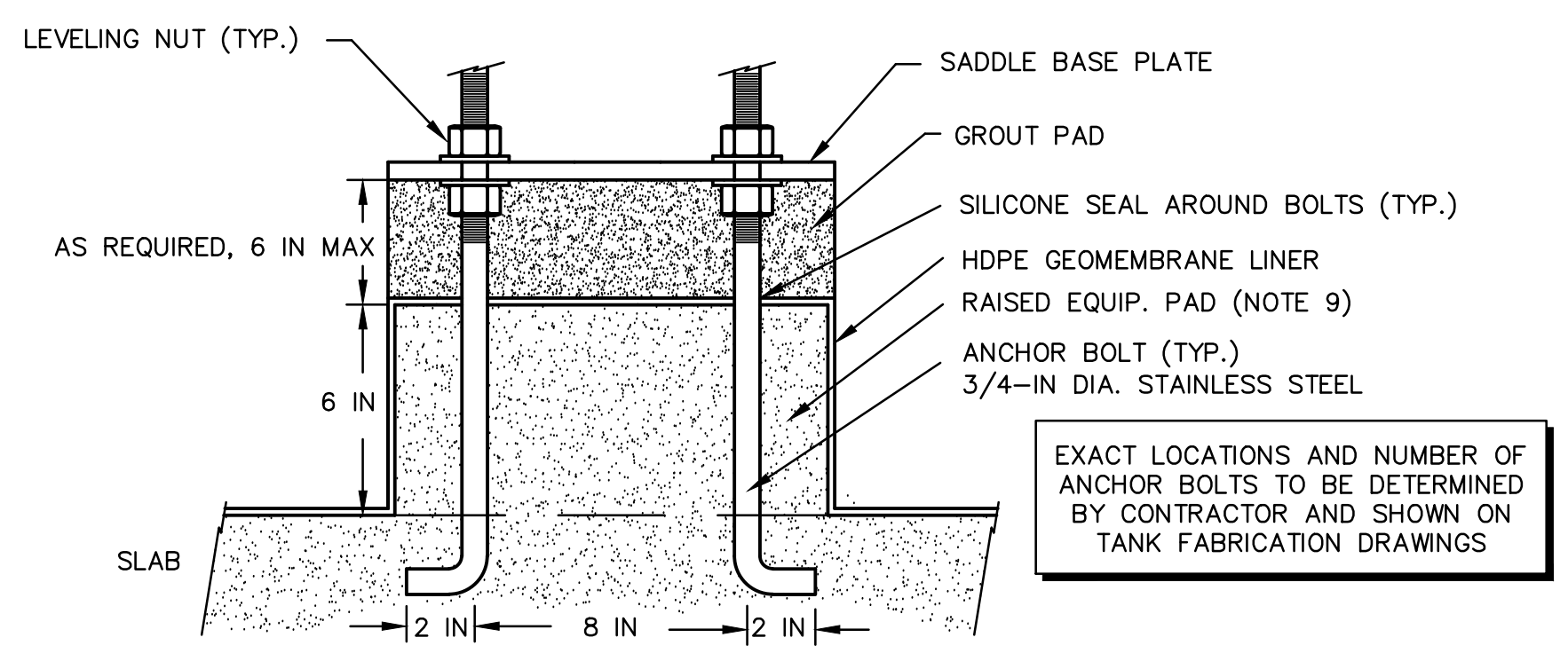
LINER TERMINATION DETAIL 34

SCALE IN FEET



LEACHATE TEMPORARY STORAGE TANK & PIPING TRENCH 34, 218-W-5 SECTION J

SCALE IN FEET



ANCHOR BOLT DETAIL 22

SCALE IN FEET

- NOTES:
- Tank shall be ASME Code stamped for 25 psi design pressure.
 - All welds shall be continuous and ground smooth.
 - Tank paint systems shall meet the requirements of Specification Section 09900.
 - All connectors necessary for support of electrical conduits around tank shall be welded to tank prior to sandblasting and painting.
 - Welded wire fabric shall meet the requirements of Specification Section 03210.
 - Utilize bond breaker around all pipes through crest wall.
 - Weld HDPE Type III to form continuous water-tight liner on floor and sides of concrete containment areas. Details of liner around tank saddles to be provided by contractor and shown on fabrication drawings.
 - Construct steps and access walkway over HDPE liner. Do not damage liner.
 - Equipment pad may be wider to facilitate pouring of grout pad.
 - Heat trace and insulate all exposed piping in accordance with specifications.
 - A hose may be added to the vent to facilitate RC sampling.

- KEY:
- DESIGNATION
 - SHEET NUMBER
 - VALVE AND PUMP IDENTIFICATION

EXACT LOCATIONS AND NUMBER OF ANCHOR BOLTS TO BE DETERMINED BY CONTRACTOR AND SHOWN ON TANK FABRICATION DRAWINGS

NOTES
1. SOME COMPONENTS OMITTED FOR CLARITY. SEE DETAIL 38

Approved for Public Release;
Further Dissemination Unlimited

| DWG NUMBER | TITLE | REF NUMBER | TITLE | REV NO. | DESCRIPTION |
|---------------------------|--------------------------|--------------|---------------------------|----------|-------------|
| H-2-821563 | LOADOUT PIPING TRENCH 34 | 9 | REVISED PER ECR-19-001363 | | |
| DRAWING TRACEABILITY LIST | | NEXT USED ON | | END ITEM | |

| | | | | |
|--|---|--|--|-------------------------------------|
| B.D.G. NO. 218W5 | CAUTION NOT COMPLETE WITHOUT CURRENT CHANGE DOCUMENTS FROM DATABASE | | ATTENTION DESTROY THIS DOCUMENT BY SHREDDING MAY CONTAIN SENSITIVE INFORMATION | |
| | U.S. DEPARTMENT OF ENERGY Richland Operations Office | | | |
| NAME H4519458-JS POGUE H0356396-AM SWENSON H0356396-AM SWENSON H9138552-CI LISLE | | DATE 1/18/2021 1/18/2021 1/18/2021 1/18/2021 | | COMPANY PRC PRC PRC PRC |
| INDEX NO. 0401 | | DRAWING NUMBER H-2-818402 | | SHEET 1 |
| SCALE SHOWN | | SCALE SHOWN | | REV 9 |

DATE:
Jan 19, 2021