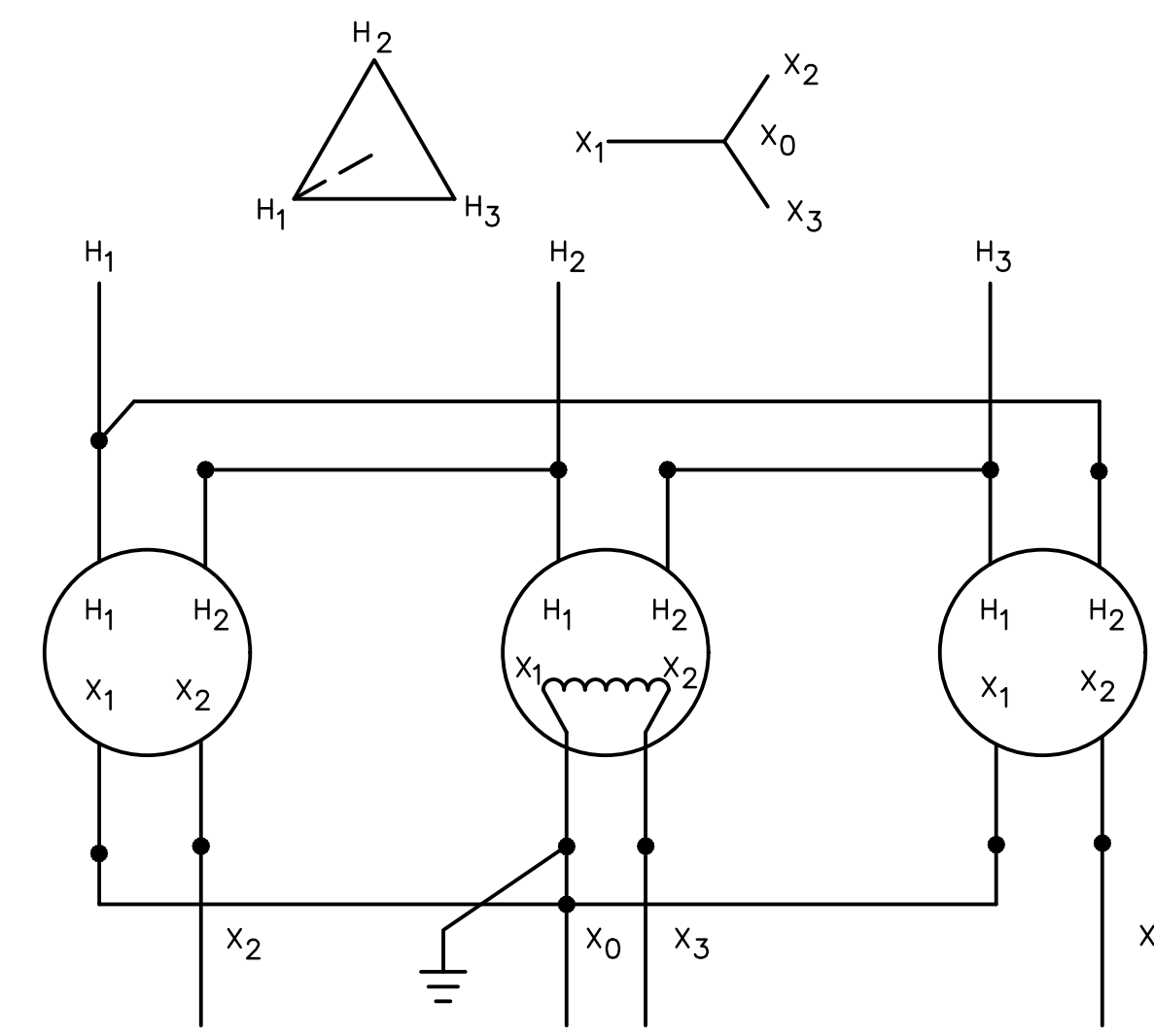


**POWER SERVICE ELEVATION DETAIL**

**C**  
SH 2

N.T.S. REF. DWG. NO. H-2-131587-3

NOTE: 6'-0" MIN BETWEEN GROUND RODS. TOP OF GROUND RODS 12" MIN BELOW GRADE.



**TRANSFORMER CONNECTIONS DETAIL**

**F**  
SH 5

N.T.S.

**ELECTRICAL DRAWING REFERENCE**

DESCRIPTION	DRAWING NUMBER
LEACHATE TEMPORARY STORAGE TANK CONDUIT LAYOUT ELECTRICAL DETAIL A - B	H-2-131587-2
ELECTRICAL SITE PLAN AND LIGHTING PLAN	H-2-131587-3
ELECTRICAL PANEL SCHEDULE ELECTRICAL DETAIL C - G	H-2-131587-4
ELECTRICAL CONDUIT AND WIRE SCHEDULE POWER AND CONTROL BLOCK DIAGRAM ELECTRICAL DETAIL H	H-2-131587-5
TR31-EL-PPC PUMP CONTROL WIRING DIAGRAM	H-2-821550-1 H-2-821550-2
TR31-EL-PPC CONTROL PANEL ASSEMBLY AND PARTS	H-2-821551-1
TR31-EL-MS4 & TR31-ST-P4	H-2-821552-1

PANELBOARD: TR31-EL-PPA LOCATION: CONTROL BUILDING VOLTS: 480/277VAC, 3PH, 4W

CTK	LOAD DESCRIPTION	kVA	BRKR	A B C	BRKR	kVA	LOAD DESCRIPTION	CTK
1	TR31-EL-MS4	11.2	30		20	7.5	TR31-EL-XFMR-1 CONT PNL XFMR	2
3	TR31-ST-P4				20	1.2	TR31-EL-PPB	4
5					20	0	SITE LIGHTS	6
7	TR31-EL-MS2	3.3	15		20	0	SPARE	8
9	TR31-PS-P2						SPACE	10
11	TR31-EL-PPC						SPACE	12
13	BLANK						BLANK	14
15	BLANK						BLANK	16
17	BLANK						BLANK	18
19	BLANK						BLANK	20
21	BLANK						BLANK	22
23	BLANK						BLANK	24
25	TR31-EL-PPA							
27	MAIN BREAKER							
29								

TOTAL CONNECTED LOAD: 23.2KVA, 27.9AMPS  
A: 8583VA, B: 8583VA, C: 1200VA

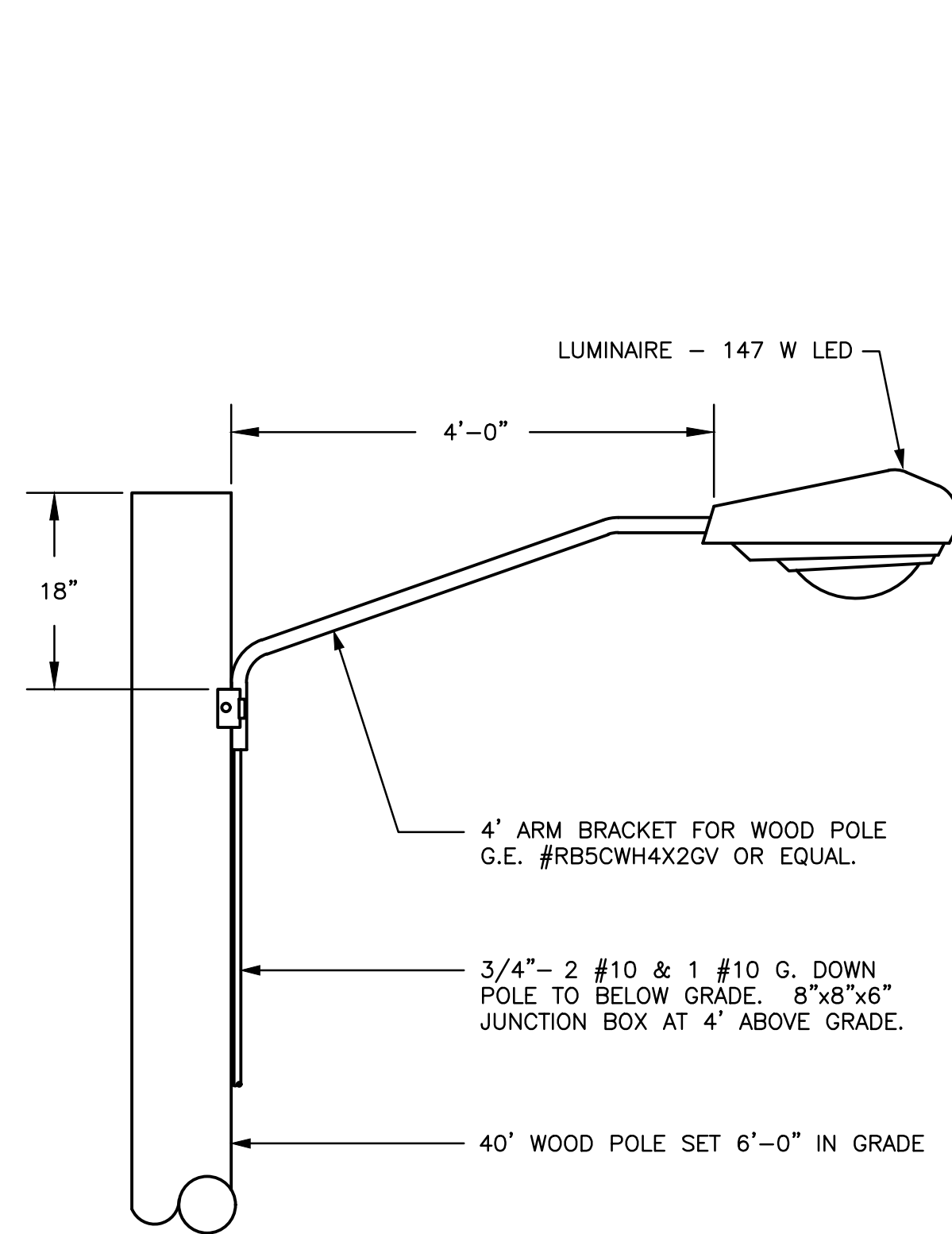
REMARKS: SEE NOTES ON DRAWING H-2-131587-4 REGARDING MOTOR STARTERS AND TR31-EL-PPC

PANELBOARD: TR31-EL-PPB LOCATION: CONTROL BUILDING VOLTS: 240/120VAC, 1PH

CTK	LOAD DESCRIPTION	kVA	BRKR	A B	BRKR	kVA	LOAD DESCRIPTION	CTK
1	TR31-EL-MS1	1.1	15		20	.3	TR31-EL-PPC	2
3	TR31-PS-P1				20	.2	BLDG GFCI RECEPTACLE	4
5	TR31-EL-MS3	1.1	15		20	.1	BLDG LIGHTING	6
7	TR31-SS-P3				30	3.5	PIPE HEAT TRAC	8
9	SPARE	0	15		20	.1	TR31-EL-PPC HTR	10
11					20	.2	OUT RCPTS, TEMP SNSR PNL	12
13	HEAT TRACE RCPT IN MANWAY (GFCI)	0.1	20		20	1.6	SPECIAL PURPOSE RECEPTACLE	14
15	SPECIAL PURPOSE RECEPTACLE	1.6	20		20			16
17								18
19	SPACE							
21	TR31-EL-PPB							
23	MAIN BREAKER		30					

TOTAL CONNECTED LOAD: 9.9KVA, 82.5AMPS  
DEMAND LOAD: 5.4KVA  
A: 5150VA, B: 4750VA

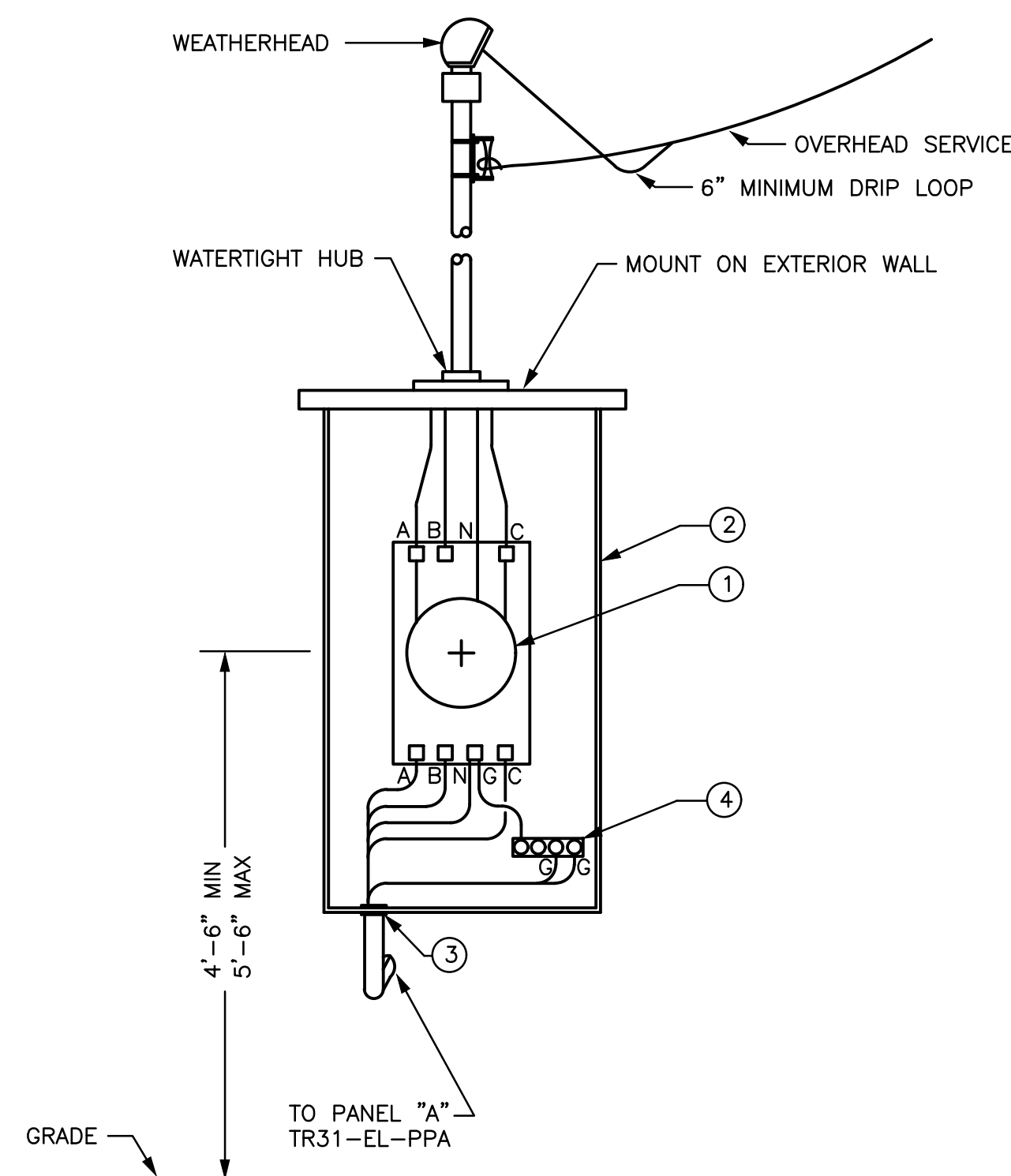
REMARKS: 'G' DENOTES GFCI BREAKER  
SEE NOTES ON DRAWING H-2-131587-4 REGARDING MOTOR STARTERS AND TR31-EL-PPC



**LIGHT FIXTURE DETAIL**

**D**  
-

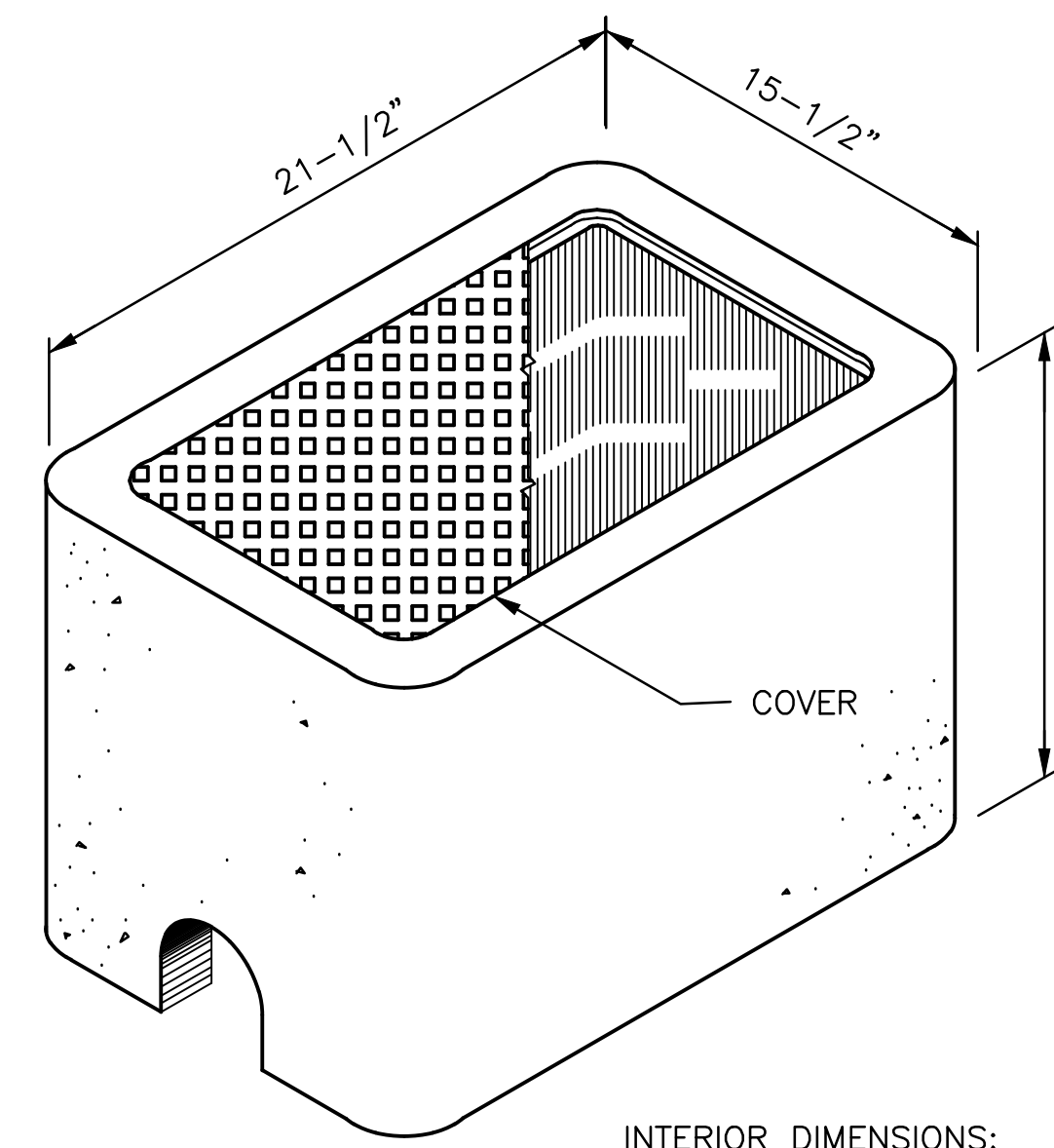
N.T.S.



**METER & GROUNDING ELEVATION**

**G**  
SH 5

N.T.S.



**PULLBOX DETAIL**

**E**  
SH 3

N.T.S.

NOTE: SET WITH COVER FLUSH WITH GRADE.

**MATERIAL LIST**

#	DESCRIPTION	REFERENCE
1	WATTHOUR DEMAND METER, SOCKET TYPE, 7 TERMINAL 240 VOLT TYPE FOR USE ON 480Y/277V. CLASS 200 FOR MAX 200 AMP SERVICE COMPLETE WITH M-90 DEMAND REGISTER AND PULSE INITIATOR OUTPUT BOARD. METER TO BE CALIBRATED BY WHC PRIOR TO INSTALLATION.	GE NO. VMW-65-S
2	METER SOCKET AND ENCLOSURE, 7 TERMINAL WITH MANUAL OR AUTOMATIC CIRCUIT CLOSING DEVICES, 600 VOLT RATED NEMA TYPE 3R CONSTRUCTION, FOR 200 AMP SERVICE.	CIRCLE AW NO. U-267
3	BUSHING, INSULATED GROUNDING TYPE.	OZ/GEDNEY CO. TYPE BLG
4	GROUNDING LUG (BOLT TO ENCLOSURE).	CIRCLE AW 4-25145

**GENERAL NOTES:**

- TWO POWER SOURCES DISCOVERED IN TR31-EL-MS1 FROM TR31-EL-PPB CKT 1/3 AND 2
- TWO POWER SOURCES DISCOVERED IN TR31-EL-MS2 FROM TR31-EL-PPA CKT 7/9/11 AND TR31-EL-PPB CKT 2
- TWO POWER SOURCES DISCOVERED IN TR31-EL-MS3 FROM TR31-EL-PPB CKT 5/7 AND 2
- TWO POWER SOURCES DISCOVERED IN TR31-EL-MS4 FROM TR31-EL-PPA CKT 1/3/5 AND TR31-EL-PPB CKT 14
- FIVE POWER SOURCES DISCOVERED IN TR31-EL-PPC FROM TR31-EL-PPA CKT 7/9/11 AND TR31-EL-PPB CKT 1/3, 5/7, 2, 12
- PARTS MAY BE REPLACE WITH LIKE FOR LIKE AND LIKE FOR KIND PER DA DISCRETION

Approved for Public Release;  
Further Dissemination Unlimited

DATE:  
Mar 06, 2024  
HANFORD RELEASE

BLDG. NO. 218W5	<b>CAUTION</b> NOT COMPLETE WITHOUT CURRENT CHANGE DOCUMENTS FROM DATABASE	<b>ATTENTION</b> DESTROY THIS DOCUMENT BY SHREDDING MAY CONTAIN SENSITIVE INFORMATION
DRAWN BY H0039958-RE MITCHELL	DATE 3/5/2024	COMPANY CPCC
CHECKED BY H1773842-MM RICHARDS	DATE 3/5/2024	CPCC
DESIGNED BY H7665813-JT PEREZ	DATE 3/5/2024	CPCC
DESIGN APPROVED BY H1773842-MM RICHARDS	DATE 3/5/2024	CPCC
ENG. IN CHARGE H2031133-F AGUILAR	DATE 3/5/2024	CPCC
INDEX NO. 7904	U.S. DEPARTMENT OF ENERGY Richland Operations Office	
ELECTRICAL DETAILS RMW LAND DISPOSAL FACILITY NON-DRAG-OFF (TR-31)		
SIZE F	DRAWING NUMBER H-2-131587	SHEET 4
SCALE AS SHOWN	REV 9	REV 9

DWG NUMBER	TITLE	REF NUMBER	TITLE
		9	REVISED PER ECR-24-000191
DRAWING TRACEABILITY LIST		NEXT USED ON	
		REFERENCES	
		REVISIONS	